

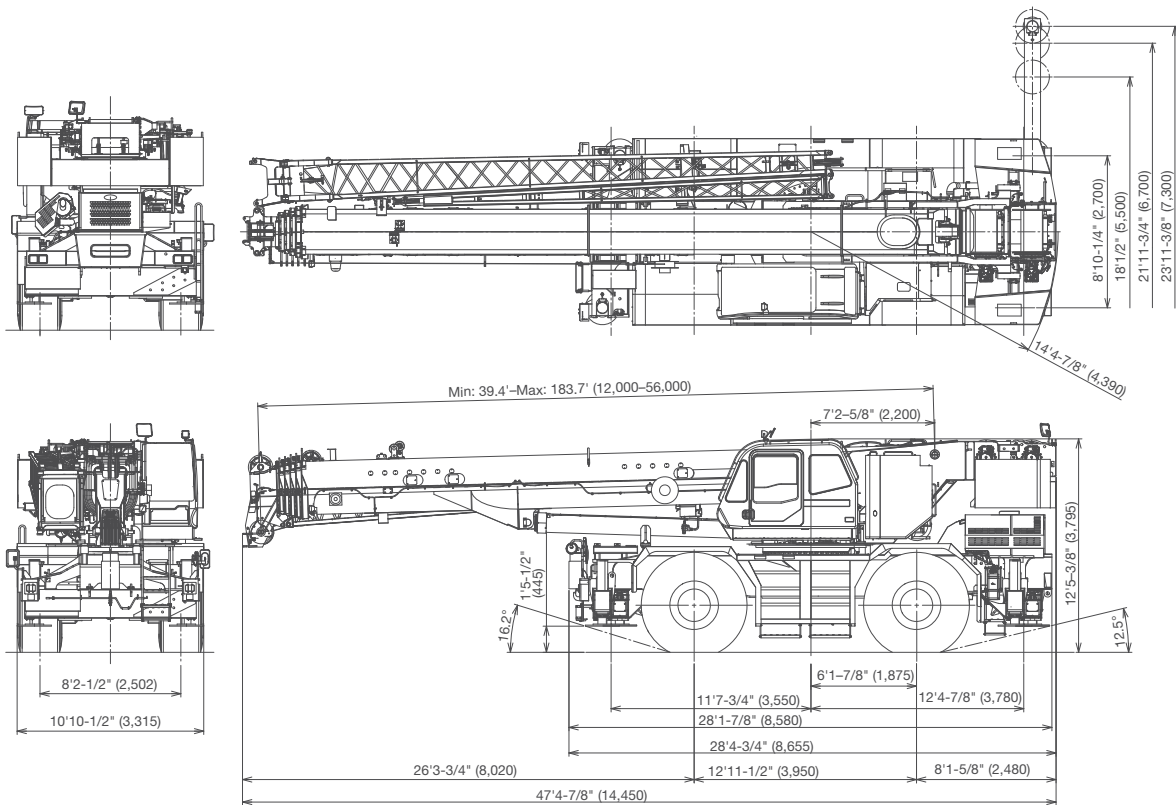
GR-1200XL

120 Ton (110 Metric Ton) Capacity



HYDRAULIC ROUGH TERRAIN CRANE

DIMENSIONS



Note: Dimension is with boom angle at -1.5 degree.
() Reference dimensions in mm.

GENERAL DIMENSIONS

	Feet	Meter
Turning radius (29.5–25 34PR (OR))		
4 wheel steer	22' 4"	6.8
2 wheel steer	39' 1"	11.9
Tail swing of counterweight	14' 4-7/8"	4.39

	Feet	Meter
Overall length	approx. 47' 4-7/8"	14,450
Overall width	approx. 10' 10-1/2"	3,315
Overall height	approx. 12' 5"-3/8"	3,795
Carrier length for traveling	approx. 28' 1-7/8"	8,580

CRANE SPECIFICATIONS

BOOM

6 sections boom of round box construction with 5 sheaves at boom head, extended by single telescoping cylinder.
2 easily removable wire rope guards, rope dead end provided on both sides of boom head. Boom telescope sections are supported by wear pads both vertically and horizontally.
Fully retracted length..... 39.4' (12.0 m)
Fully extended length..... 183.7' (56.0 m)
Extension speed..... 144.3' (44.0 m) in 340 s
Sheave root diameter 15-3/4" (0.400 m)

BOOM ELEVATION

By a double acting hydraulic cylinder with holding valve.
Boom angle indicator.
Automatic speed reduction and slow stop function.
Boom angle -1.5–81°
Boom raising speed 20° to 60° in 40 s

JIB

2 stage bi-fold lattice type, 3.5°, 25° or 45° offset.
Single sheave at the head of both jib sections. Stowed alongside base boom section. Assistant cylinders for mounting and stowing, controlled at right side of superstructure.
Self stowing jib mounting pins.
Length 33.2', 58.1' (10.1 m, 17.7 m)
Offset 3.5°, 25°, 45°
Sheave root diameter 15-5/8" (0.396 m)

AUXILIARY LIFTING SHEAVE (SINGLE TOP)

Single sheave, mounted to main boom head for single line work (stowable).
Root diameter..... 17-5/16" (0.440 m)

ANTI-TWO BLOCK DEVICE

Pendant type over-winding cut out device with audio-visual (FAILURE lamp/BUZZER) warning system.

SLEWING

Hydraulic axial piston motor driven through planetary slewing speed reducer. Continuous 360° full circle slewing on ball bearing turn table at 1.5 min⁻¹ {rpm}. Equipped with manually locked/released slewing brake. A 360° positive swing lock manually engaged in cab. Twin slewing system: Free slewing or lock slewing controlled by selector switch on front console.
Slewing speed 1.5 min⁻¹ {rpm}

COUNTERWEIGHT

Standard weight 22,000 lbs (10,000 kg)

WINCH MAIN WINCH

Variable speed type with grooved drum driven by hydraulic axial piston motor through speed reducer. Power load lowering and raising. Equipped with automatic brake (neutral brake) and counterbalance valve. Controlled independently of auxiliary winch. Equipped with cable follower and drum rotation indicator.

MAIN DRUM

Root diameter x wide 15" (0.382 m) x 29-1/4" (0.742 m)
Wire rope diameter x length 3/4" (19 mm) x 984' (300 m)
Drum capacity 1293' (394 m), 7 layers
Maximum single line pull (1st layer).....21,800 lbs (9,900 kg)
Maximum permissible linepull wire strength... 15,900 lbs (7,200 kg)

AUXILIARY WINCH

Variable speed type with grooved drum driven by hydraulic axial piston motor through speed reducer.
Power load lowering and raising. Equipped with automatic brake (neutral brake) and counterbalance valve. Controlled independently of main winch. Equipped with cable follower and drum rotation indicator.

AUXILIARY DRUM

Root diameter x wide 15" (0.382 m) x 29-1/4" (0.742 m)
Wire rope diameter x length 3/4" (19 mm) x 518' (158 m)
Drum capacity 1293' (394 m), 7 layers
Maximum single line pull (1st layer).....21,800 lbs (9,900 kg)
Maximum permissible line pull wire strength... 15,900 lbs (7,200 kg)

WIRE ROPE

Non-rotating 3/4" (19 mm) 7x35 class.
Breaking Strength 79,400 lbs (36,000 kg)

HOOK BLOCKS

120 ton (110 metric ton).....8 sheaves with hook block and safety latch.
75 ton (68 metric ton, option).....5 sheaves with hook block and safety latch.
7.9 ton (7.2 metric ton) Weighted hook with swivel and safety latch.

HYDRAULIC SYSTEM PUMPS

2 variable piston pumps for crane functions.
Tandem gear pump for steering, swing and optional equipment. Powered by carrier engine. Pump disconnect for crane is engaged/ disengaged by rotary switch from operator's cab.

CONTROL VALVES

Multiple valves actuated by pilot pressure with integral pressure relief valves.

RESERVOIR

202 gallon (763 lit.) capacity. External sight level gauge.

FILTRATION

BETA10=10 return filter, full flow with bypass protection, located inside of hydraulic reservoir. Accessible for easy replacement.

OIL COOLER

Air cooled fan type.

CAB AND CONTROLS

Both crane and drive operations can be performed from one cab mounted on rotating superstructure.

15° tilt, Left side, 1 man type, steel construction with sliding door access and safety glass windows opening at side. Door window is powered control. Windshield glass window and roof glass window are shatter-resistant. Tilt-telescoping steering wheel. Adjustable control lever stands for swing, boom elevating, boom telescoping, auxiliary winch and main winch. Control lever stands can change neutral positions and tilt for easy access to cab. 3 way adjustable operator's seat with high back, headrest and armrest. Engine throttle knob. Foot operated controls: boom elevating boom telescoping, service brake and engine throttle. Hot water cab heater and air conditioning.

Dash-mounted engine start/stop, monitor lamps, cigarette lighter, drive selector switch, parking brake switch, steering mode select switch, power window switch, pump engaged/ disengaged switch, swing brake switch, telescoping/auxiliary winch select switch, outrigger controls, free swing / lock swing selector switch, eco mode switch, high speed winch (main/aux) switch and ashtray.

Instruments - Torque converter oil temperature, engine water temperature, air pressure, fuel, speedometer, tachometer, hour meter and odometer / trip meter. Hydraulic oil pressure is monitored and displayed on the AML-C display panel.

CRANE SPECIFICATIONS

Tadano electronic LOAD MOMENT INDICATOR system (AML-C) including:

- Control lever lockout function with audible and visual pre-warning
- Boom position indicator
- Outrigger state indicator
- Boom angle / boom length / jib offset angle / jib length / load radius / rated lifting capacities / actual loads read out
- Ratio of actual load moment to rated load moment indication
- Automatic speed reduction and slow stop function on boom elevation and slewing
- Working condition register switch
- Load radius / boom angle / tip height / slewing range preset function
- External warning lamp
- Tare function
- Fuel consumption monitor
- Main winch / auxiliary winch select
- Drum rotation indicator (audible and visible type) main and auxiliary winch

TADANO AML-C monitors outrigger extended length and automatically programs the corresponding "RATED LIFTING CAPACITIES" table.

Operator's right hand console includes transmission gear selector and sight level bubble. Upper console includes working light switch, roof washer and wiper switch emergency outrigger set up key switch, jib equipped/removed select switch, eco mode switch, high speed winch (main / aux) switch, Cab tilt switch. Slewing lock lever.

NOTE: Each crane motion speed is based on unladen conditions.

CARRIER SPECIFICATIONS

TYPE

Rear engine, left hand steering, driving axle 2-way selected type by manual switch, 4x2 front drive, 4x4 front and rear drive.

FRAME

High tensile steel, all welded mono-box construction.

ENGINE

Model	Cummins QSB6.7 Tier4
Type	Direct injection diesel
No. of cylinders	6
Combustion	4 cycle, turbo charged and after cooled
Bore x Stroke, in. (mm)	4.212 x 4.882 (107 x 124)
Displacement, cu. in (liters)	409 (6.700)
Air inlet heater	24 volt preheat
Air cleaner	Dry type, replaceable element
Oil filter	Full flow with replaceable element
Fuel filter	Full flow with replaceable element
Fuel tank, gal. (liters)	79.2 (300), right side of carrier
Cooling	Liquid pressurized, recirculating by-pass
Radiator	Fin and tube core, thermostat controlled
Fan, in. (mm)	Suction type, 9-blade, 28 (711) dia.
Starting	24 volt
Charging	24 volt system, negative ground
Battery	2-120 amp. Hour
Compressor, air, CFM (l /min)	17.0 CFM (481) at 2,400 rpm
Output, Max. HP (kW)	Gross 270 (201) at 2,000 rpm
Torque, Max. ft-lb (Nm)	730 (990) at 1,500 rpm
Capacity, gal. (liters)	
Cooling water	2.7 (10)
Lubrication	4.0 (15)
Fuel	79.2 (300)
DEF / AdBlue	10.0 (38)

TRANSMISSION

Electronically controlled full automatic transmission. Torque converter driving full powershift with driving axle selector. 5 forward and 2 reverse speeds, constant mesh.

- 2 speeds - high range - 2 wheel drive; 4 wheel drive
- 3 speeds - low range - 4 wheel drive

TRAVEL SPEED

12 mph (19 km/h)

GRADEABILITY (tanθ) - 84%, 57%*

* Machine should be operated within the limit of engine crankcase design (30°: Cummins QSB6.7 Tier4)

AXLE

Front: Full floating type, steering and driving axle with planetary reduction.

Rear: Full floating type, steering and driving axle with planetary reduction and non-spin rear differential.

STEERING

Hydraulic power steering controlled by steering wheel. Four steering modes available: 2 wheel front, 2 wheel rear, 4 wheel coordinated and 4 wheel crab.

SUSPENSION

Front: Rigid mounted to frame.

Rear: Pivot mounted with hydraulic lockout device.

BRAKE SYSTEMS

Service: Air over hydraulic disc brakes on all 4 wheels.

Parking/Emergency: Spring applied-air released brake acting on input shaft of front axle.

Auxiliary: Electro- pneumatic operated exhaust brake.

TIRES - 29.5-25 34PR (OR) Air pressure: 57 psi (400 kPa)

OUTRIGGERS

Four hydraulic, beam and jack outriggers. Vertical jack cylinders equipped with integral holding valve. Each outrigger beam and jack is controlled independently from cab. Beams extend to 23' 11-3/8" (7.3 m) center-line and retract to within 10' 10-1 / 2" (3.315 m) overall width with floats. Outrigger jack floats are attached thus eliminating the need of manually attaching and detaching them. Controls and sight bubble located in superstructure cab. Four outrigger extension lengths are provided with corresponding "RATED LIFTING CAPACITIES" for crane duty in confined areas.

Min. Extension	8' 10-1 / 4" (2.7 m) center to center
Mid. Extension	18' 1 / 2" (5.5 m) center to center
Mid. Extension	21' 11-3 / 4" (6.7 m) center to center
Max. Extension	23' 11-3 / 8" (7.3 m) center to center

Float size (Diameter) 1' 11- 5 / 8" (0.6 m)

STANDARD EQUIPMENT

- Six section extended boom by single telescoping cylinder 39.4'-183.7' (12.0 m-56.0 m)
- 33.2' (10.1 m) or 58.1' (17.7 m) bi-fold lattice jib with 3.5°, 25° or 45° pinned offsets and self stowing pins.
- Quick reeving type bi-fold jib
- Anti-Two block device (overwind cutout)
- Mirror for main and auxiliary winch
- Work lights
- Variable speed main winch with grooved drum, cable follower and 771' of 3/4" (235 m of 19 mm) cable.
- Variable speed auxiliary winch with grooved drum, cable follower and 518' of 3/4" (158 m of 19 mm) cable.
- Drum rotation indicator (audible, visible and thumper type) main and auxiliary winch
- Auxiliary lifting sheave (single top) stowable
- 2-speed winch
- Tadano twin swing system and 360° positive swing lock
- Positive control
- Hydraulic oil cooler
- 15° tilt cab
- 3 way adjustable cloth seat with armrests, high back and seat belt
- Tilt-telescoping steering wheel
- Tinted safety glass and sun visor
- Front windshield wiper and washer
- Roof window wiper and washer
- Power window (cab door)
- Cigarette lighter and ashtray
- Cab floor mat
- Pump disconnect in operator's cab
- Air conditioner (hot water heater and cooler)
- Full instrumentation package
- Self centering finger control levers with pilot control
- Control pedals for boom elevating and boom telescoping
- Low oil pressure/high water temp. warning device (visual)
- Rear steer centering light
- Air cleaner dust indicator
- Tadano electronic load moment indicator system (AML-C)
- Tare function
- Boom angle indicator
- Outrigger extension length detector
- Electronic crane monitoring system
- Rear view mirrors (right and left side)
- Fenders
- Air dryer
- Complete highway light package
- Towing hooks-Front and rear
- Hook block tie down (front bumper)
- Weighted hook storage compartment
- Halogen head lamp
- Independently controlled outriggers
- Four outrigger extension positions
- Self-storing outrigger pads
- Electronic controlled automatic transmission driven by torque converter
- 4 x 4 x 4 drive/steer
- Non-spin rear differential
- Automatic rear axle oscillation lockout system
- 29.5-25 34PR tires
- Disc brakes
- Water separator with filter (high filtration)
- Back-up alarm
- 24 volt electric system
- Tool storage compartment
- Tire inflation kit
- Cummins QS 6.7 turbo charged after cooled engine (270 HP) with exhaust brake
- Engine over-run alarm
- Lifting eyes
- Telematics(machine data logging and monitoring system) with HELLO-NET via internet (availability depends on countries)
- Fuel consumption monitor
- Eco mode system
- Self-removable counterweight
- 7.9 ton (7.2 metric ton) - Weighted hook with swivel and safety latch
- Radiator cover
- 120 ton (110 metric ton) - 8 sheaves with hook block and safety latch

OPTIONAL EQUIPMENT

- 75 ton (68 metric ton) - 5 sheaves with hook block and safety latch

HOISTING PERFORMANCE

LINE SPEEDS AND PULLS

Layer	Main or auxiliary winch - 15" (0.382 m) drum					
	Line speeds ¹				Line pulls Available ²	
	Low		High		Low	
	F.P.M	m/min	F.P.M	m/min	Lbs.	kgf
1st	253	77	354	108	21,800	9,900
2nd	276	84	384	117	19,900	9,010
3rd	299	91	413	126	18,200	8,270
4th	318	97	446	136	16,800	7,640
5th	341	104	476	145	15,600	7,090
6th	361	110	505	154	14,600	6,620
7th ³	384	117	535	163	13,700	6,210

- Maximum permissible line pull wire strength. 15,900 lbs (7,200 kg) with 7 x 35 class rope.

¹ Line speed based only on hook block, not loaded.

² Developed by machinery with each layer of wire rope, but not based on rope strength or other limitations in machinery or equipment.

³ Seventh layer of wire rope are not recommended for hoisting operations.

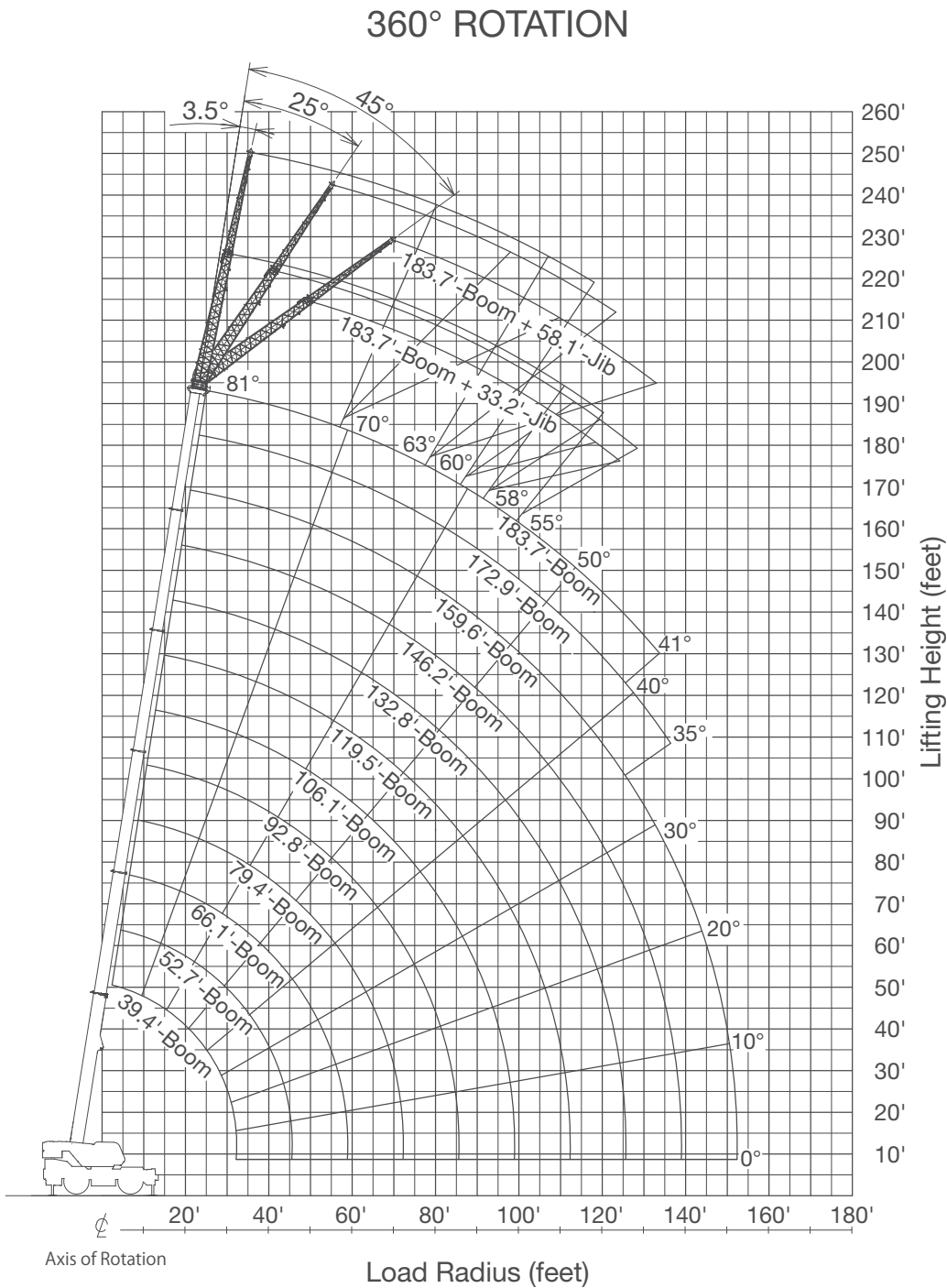
DRUM WIRE ROPE CAPACITIES

Wire rope layer	Main and auxiliary drum grooved lagging			
	3/4" (19 mm) wire rope			
	Rope per layer		Total wire rope	
	Feet	Meter	Feet	Meter
1	147.0	44.8	147.0	44.8
2	159.4	48.6	306.4	93.4
3	172.2	52.5	478.7	145.9
4	184.7	56.3	663.4	202.2
5	197.2	60.1	860.6	262.3
6	209.6	63.9	1070.2	326.2
7	222.1	67.7	1292.3	393.9

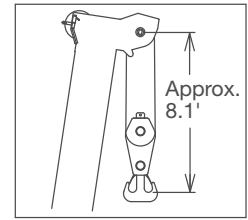
DRUM DIMENSIONS (Main and auxiliary)

	Inch	mm
Root diameter	15	382
Length	29-1/4	742
Flange diameter	26-5/8	677

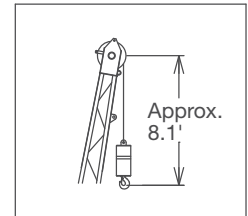
GR-1200XL WORKING RANGE CHART



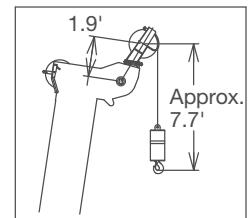
BOOM



JIB



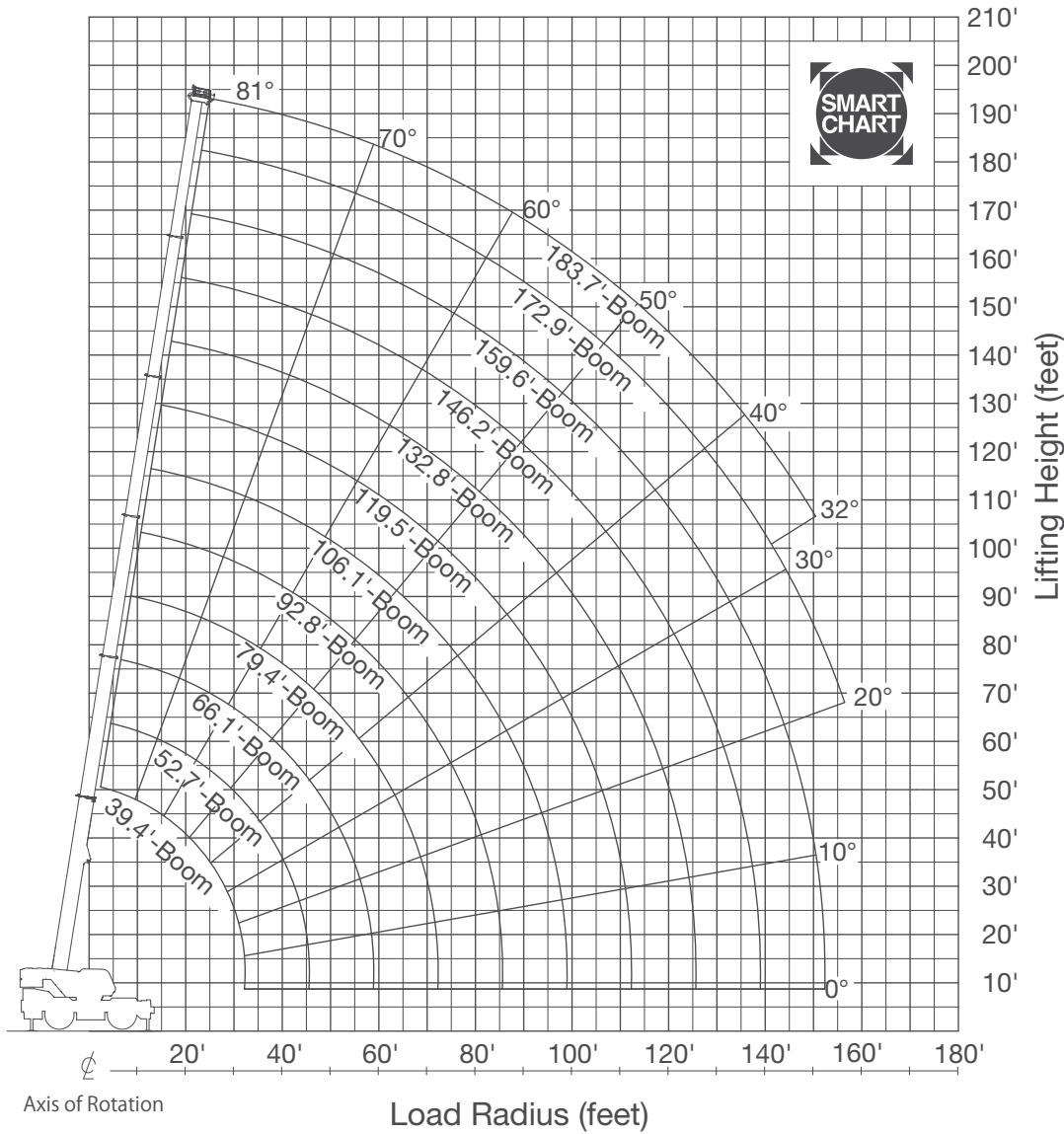
SINGLE TOP



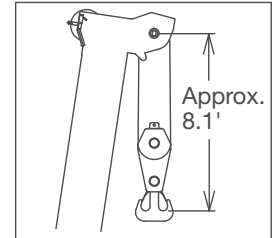
NOTE: Boom and jib geometry shown are for unloaded condition and machine standing level on firm supporting surface. Boom deflection and subsequent radius and boom angle change must be accounted for when applying load to hook.

GR-1200XL WORKING RANGE CHART

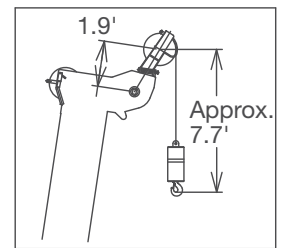
SMART CHART



BOOM



SINGLE TOP



NOTE: Boom and jib geometry shown are for unloaded condition and machine standing level on firm supporting surface. Boom deflection and subsequent radius and boom angle change must be accounted for when applying load to hook.

GR-1200XL RATED LIFTING CAPACITIES (IN POUNDS)

COUNTERWEIGHT 22,000 lbs (10.0 t) ON OUTRIGGERS FULLY EXTENDED 23'11-3/8" (7.3 m) SPREAD 360° ROTATION																
A	1	10	1	10	11	2	1	11	12	2	1	12	2	1		
B	1	24	2	25	26	12	3	27	28	13	4	29	14	5		
D	C	39.4' (12.0m)			52.7' (16.1m)			66.1' (20.1m)			79.4' (24.2m)			92.8' (28.3m)		
		8'	*242,500	143,300	77,200											
10'	180,300	143,300	77,200	136,900	110,200	77,200	63,100									
12'	159,000	143,300	77,200	127,400	110,200	77,200	57,800	106,300	106,300	77,200	61,100					
15'	133,200	132,700	72,100	115,300	110,200	77,200	51,400	97,000	106,300	77,200	55,100	80,700	69,900	48,100		
20'	101,400	100,500	62,200	97,200	101,400	68,100	43,400	81,800	102,300	71,400	47,400	71,700	69,900	42,500		
25'	78,000	77,200	54,900	76,700	77,800	60,800	37,500	70,500	78,700	64,600	41,700	62,400	65,700	37,900		
30'	60,800	59,700	49,400	58,900	60,600	55,300	33,100	60,000	61,900	59,100	37,300	54,700	60,400	34,000		
35'		45,600	45,000	44,800	46,500	50,700	29,500	45,600	47,800	52,900	33,500	47,000	52,500	30,400		
40'		35,100	39,900	34,200	35,900	41,400	26,700	35,100	37,300	41,900	30,600	36,400	41,400	27,600		
45'		27,800	32,200	26,900	28,700	33,700	24,500	27,800	29,800	34,200	28,200	28,900	33,700	25,400		
50'				21,600	23,100	28,200	22,500	22,300	24,300	28,400	26,000	23,400	28,000	23,400		
55'				17,400	19,000	23,800	20,900	18,100	20,100	24,000	24,300	19,200	23,800	21,600		
60'								15,000	16,800	20,700	21,800	15,900	20,300	20,100		
65'								12,300	14,100	17,900	19,000	13,200	17,400	18,700		
70'								10,100	11,900	15,700	16,800	11,000	15,200	16,800		
75'												9,300	13,200	15,000		
80'												7,700	11,700	13,200		
85'												6,400	10,400	11,900		
90'																
95'																
100'																
105'																
110'																
115'																
120'																
125'																
130'																
135'																
140'																
145'																
E	42,100	41,900	44,100	34,000	39,700	44,100	35,100	35,100	39,200	41,000	35,900	35,300	38,100	35,900		
F	0	0	0	0	0	0	0	0	0	0	0	0	0	0		
Telescoping conditions (%)																
Tele.1	0	46	0	92	46	0	0	92	46	0	0	92	0	0		
Tele.2	0	0	0	0	46	0	0	46	46	0	0	46	46	0		
Tele.3	0	0	0	0	0	0	0	0	46	46	0	46	46	0		
Tele.4	0	0	0	0	0	46	0	0	0	46	46	0	46	92		
Tele.5	0	0	46	0	0	46	92	0	0	46	92	0	46	92		
G	16	10	6	9	8	6	6	7	7	6	5	6	5	4		

COUNTERWEIGHT 22,000 lbs (10.0 t) ON OUTRIGGERS FULLY EXTENDED 23'11-3/8" (7.3 m) SPREAD 360° ROTATION																	
A	13	2	1	2	3	1	5	4	1	6	7	1	8	1	9		
B	30	15	6	16	17	7	19	18	8	20	21	9	22	10	11		
D	C	106.1' (32.4m)			119.5' (36.4m)			132.8' (40.5m)			146.2' (44.6m)			159.6' (48.6m)		172.9' (52.7m)	183.7' (56.0m)
		8'															
10'																	
12'																	
15'																	
20'	60,400	56,200	41,200		41,000												
25'	55,100	56,200	37,700	45,600	41,000	33,100	37,300	31,700	31,100								
30'	49,800	56,200	34,400	43,900	41,000	30,200	37,300	31,700	29,100	31,700	27,300	26,500					
35'	44,500	51,600	31,100	40,100	39,200	27,300	35,700	30,900	27,100	30,900	26,500	26,000	25,600	23,100	20,700		
40'	38,100	40,600	28,200	36,600	36,800	25,100	32,800	28,900	25,100	28,900	24,900	24,500	25,600	23,100	20,700		
45'	30,400	32,800	26,000	32,000	34,200	22,900	30,000	27,100	23,100	26,900	23,400	23,100	24,300	22,500	20,700		
50'	24,900	27,300	24,000	26,500	28,400	21,200	26,200	25,400	21,600	24,900	21,800	21,600	22,700	21,400	20,500		
55'	20,700	22,900	22,300	22,000	24,000	19,600	22,000	23,800	20,100	22,300	20,500	20,300	21,400	20,300	19,600		
60'	17,400	19,400	20,700	18,500	20,500	18,300	18,500	20,900	19,000	18,700	19,400	19,200	19,400	19,400	18,500		
65'	14,600	16,800	19,400	15,900	17,600	17,000	15,900	18,100	17,600	16,100	18,300	18,100	16,500	17,900	17,200		
70'	12,300	14,300	17,200	13,400	15,400	15,900	13,400	15,900	16,800	13,700	15,900	16,100	14,300	15,700	14,800		
75'	10,400	12,600	15,200	11,700	13,400	15,000	11,500	13,900	14,800	11,900	13,900	14,100	12,300	13,700	12,800		
80'	8,800	10,800	13,400	9,900	11,700	13,200	9,900	12,100	13,000	10,100	12,300	12,300	10,600	11,900	11,200		
85'	7,500	9,500	12,100	8,600	10,400	11,700	8,400	10,800	11,500	8,800	10,800	11,000	9,300	10,600	9,700		
90'	6,200	8,200	10,800	7,300	9,000	10,600	7,300	9,500	10,400	7,500	9,500	9,700	7,900	9,300	8,600		
95'	5,100	7,100	9,700	6,200	7,900	9,500	6,200	8,400	9,300	6,400	8,400	8,600	6,800	8,200	7,500		
100'				5,300	7,100	8,400	5,300	7,500	8,200	5,500	7,500	7,700	6,000	7,300	6,400		
105'				4,600	6,200	7,500	4,400	6,600	7,300	4,600	6,600	6,800	5,100	6,400	5,500		
110'				3,700	5,500	6,800	3,700	5,700	6,600	3,700	6,000	6,000	4,200	5,500	4,900		
115'							3,100	5,100	6,000	3,100	5,100	5,300	3,500	4,900	4,200		
120'							2,400	4,600	5,300	2,600	4,600	4,600	3,100	4,200	3,500		
125'							2,000	4,200	4,900	2,000	4,000	4,200	2,400	3,700	2,900		
130'											3,500	3,700	2,000	3,100	2,400		
135'											3,100	3,300	2,000	2,600	2,000		
140'													2,200				
145'													2,000				
E	35,300	38,100	36,800	34,000	34,000	33,100	31,700	30,400	30,600	27,300	27,300	26,500	25,600	23,100	20,700		
F	0	0	0	0	0	0	0	0	0	21	0	0	30	0	35		
Telescoping conditions (%)																	
Tele.1	92	46	0	92	46	0	92	46	0	92	46	0	92	46	92		
Tele.2	46	46	0	46	46	0	92	46	46	92	46	92	92	92	100		
Tele.3	46	46	46	46	46	92	46	46	92	92	92	92	92	92	100		
Tele.4	46	46	92	46	46	92	46	92	92	46	92	92	92	92	100		
Tele.5	0	46	92	46	92	92	46	92	92	46	92	92	46	92	100		
G	4	4	4	4	4	4	4	4	4	4	4	4	4	4	4		

*Over front with special equipment

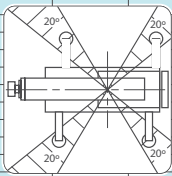
A: Boom block C: Boom length (feet) E: Maximum capacity without boom pin G: Number of parts of line
 B: Boom number D: Load radius (feet) F: Minimum boom angle (°) for indicated length (no load)

Note: The lifting capacity data stored in the LOAD MOMENT INDICATOR (AML-C) is based on the standard number of parts of line listed in the chart.

GR-1200XL RATED LIFTING CAPACITIES (IN POUNDS)

COUNTERWEIGHT 22,000 lbs (10.0 t) ON OUTRIGGERS FULLY EXTENDED 23'11-3/8" (7.3 m) SPREAD Smart Chart																
A	1	10	1	10	11	2	1	11	12	2	1	12	1	12	1	1
B	1	24	2	25	26	12	3	27	28	13	4	29	14	5		
C	39.4' (12.0m)	52.7' (16.1m)			66.1' (20.1m)			79.4' (24.2m)			92.8' (28.3m)					
D	8'	*242,500	143,300	77,200												
10'	180,300	143,300	77,200	136,900	110,200	77,200	63,100									
12'	159,000	143,300	77,200	127,400	110,200	77,200	57,800	106,300	106,300	77,200	61,100					
15'	133,200	132,700	72,100	115,300	110,200	77,200	51,400	97,000	106,300	77,200	55,100	80,700	69,900	48,100		
20'	101,400	100,500	62,200	97,200	101,400	68,100	43,400	81,800	102,300	71,400	47,400	71,700	69,900	42,500		
25'	78,000	77,200	54,900	76,700	77,800	60,800	37,500	70,500	78,700	64,600	41,700	62,400	65,700	37,900		
30'	60,800	59,700	49,400	58,900	60,600	55,300	33,100	60,000	61,900	59,100	37,300	54,700	60,400	34,000		
35'		47,200	45,000	46,300	48,100	50,700	29,500	47,200	49,200	53,100	33,500	48,500	53,400	30,400		
40'		38,100	41,700	37,300	39,000	44,100	26,700	38,100	40,100	44,500	30,600	39,500	44,100	27,600		
45'		31,500	35,700	30,600	32,200	37,300	24,500	31,300	33,300	37,500	28,200	32,600	37,300	25,400		
50'				25,400	26,900	32,000	22,500	26,200	28,000	32,200	26,000	27,300	31,700	23,400		
55'				21,400	22,900	27,600	20,900	22,000	23,800	28,000	24,300	23,100	27,600	21,600		
60'								18,500	20,500	24,500	22,900	19,600	24,000	20,100		
65'								15,400	17,400	21,400	21,600	16,500	20,900	18,700		
70'								13,000	14,800	18,700	19,800	13,900	18,300	17,600		
75'												11,900	16,100	16,500		
80'												9,900	14,100	15,900		
85'												8,600	12,600	14,100		
90'																
95'																
100'																
105'																
110'																
115'																
120'																
125'																
130'																
135'																
140'																
145'																
150'																
E	42,100	41,900	44,100	34,000	39,700	44,100	35,100	35,100	39,200	41,000	35,900	35,300	38,100	35,900		
F	0	0	0	0	0	0	0	0	0	0	0	0	0	0		
Telescoping conditions (%)																
Tele.1	0	46	0	92	46	0	0	92	46	0	0	92	0	0		
Tele.2	0	0	0	0	46	0	0	46	46	0	0	46	46	0		
Tele.3	0	0	0	0	0	0	0	0	46	46	0	46	46	0		
Tele.4	0	0	0	0	0	46	0	0	0	46	46	0	46	92		
Tele.5	0	0	46	0	0	46	92	0	0	46	92	0	46	92		
G	16	10	6	9	8	6	6	7	7	6	5	6	5	4		

COUNTERWEIGHT 22,000 lbs (10.0 t) ON OUTRIGGERS FULLY EXTENDED 23'11-3/8" (7.3 m) SPREAD Smart Chart																			
A	13	2	1	2	3	1	5	4	1	6	7	1	8	1	1	9			
B	30	15	6	16	17	7	19	18	8	20	21	9	22	10	11	23			
C	106.1' (32.4m)			119.5' (36.4m)			132.8' (40.5m)			146.2' (44.6m)			159.6' (48.6m)			172.9' (52.7m)		183.7' (56.0m)	
D	8'																		
10'																			
12'																			
15'																			
20'	60,400	56,200	41,200		41,000														
25'	55,100	56,200	37,700	45,600	41,000	33,100	37,300	31,700	31,100										
30'	49,800	56,200	34,400	43,900	41,000	30,200	37,300	31,700	29,100	31,700	27,300	26,500							
35'	44,500	52,500	31,100	40,100	39,200	27,300	35,700	30,900	27,100	30,900	26,500	26,000	25,600	23,100	20,700				
40'	40,100	43,400	28,200	36,600	36,800	25,100	32,800	28,900	25,100	28,900	24,900	24,500	25,600	23,100	20,700	18,100			
45'	34,200	36,400	26,000	33,500	34,400	22,900	30,000	27,100	23,100	26,900	23,400	23,100	24,300	22,500	20,700	18,100			
50'	28,900	31,100	24,000	30,200	32,200	21,200	27,800	25,400	21,600	24,900	21,800	21,600	22,700	21,400	20,500	18,100			
55'	24,500	26,700	22,300	25,800	27,800	19,600	25,800	23,800	20,100	23,100	20,500	20,300	21,400	20,300	19,600	17,900			
60'	20,900	23,400	20,700	22,300	24,300	18,300	22,300	22,500	19,000	21,400	19,400	19,200	19,800	19,400	18,500	17,900			
65'	17,900	20,100	19,400	19,200	21,200	17,000	19,200	21,200	17,600	19,400	18,300	18,100	18,700	18,300	17,400	16,300			
70'	15,200	17,400	18,100	16,500	18,500	15,900	16,500	19,000	16,800	16,800	17,200	17,200	17,200	17,400	16,500	15,400			
75'	13,000	15,200	17,200	14,300	16,300	15,000	14,300	16,800	15,700	14,600	16,300	16,100	15,000	16,300	15,700	14,600			
80'	11,200	13,200	16,100	12,300	14,300	14,100	12,300	14,800	15,000	12,600	14,800	15,000	13,000	14,600	13,700	13,700			
85'	9,700	11,700	14,300	10,800	12,600	13,200	10,800	13,000	13,900	11,000	13,000	13,200	11,500	12,800	12,100	12,100			
90'	8,400	10,400	13,000	9,500	11,200	12,600	9,300	11,700	12,300	9,500	11,700	11,900	10,100	11,500	10,600	10,600			
95'	7,100	9,000	11,700	8,200	9,900	11,500	8,200	10,400	11,200	8,400	10,400	10,600	8,800	10,100	9,500	9,300			
100'				7,100	8,800	10,400	7,100	9,300	10,100	7,300	9,300	9,500	7,700	9,000	8,400	8,200			
105'				6,200	7,900	9,300	6,200	8,400	9,000	6,400	8,400	8,600	6,800	7,900	7,300	7,300			
110'				5,300	7,100	8,600	5,300	7,500	8,200	5,500	7,500	7,700	6,000	7,300	6,400	6,400			
115'							4,400	6,600	7,500	4,600	6,600	6,800	5,100	6,400	5,700	5,700			
120'							3,700	6,000	6,800	4,000	6,000	6,200	4,400	5,700	5,100	4,900			
125'							3,300	5,500	6,200	3,300	5,300	5,500	3,700	5,100	4,400	4,200			
130'										2,900	4,900	5,100	3,300	4,400	3,700	3,700			
135'										2,400	4,400	4,400	2,600	4,000	3,300	3,100			
140'													2,200	3,500	2,600	2,600			
145'														3,100	2,200	2,200			
150'														2,600	2,000	2,000			
E	35,300	38,100	36,800	34,000	34,000	33,100	31,700	30,400	30,600	27,300	27,300	26,500	25,600	23,100	20,700	18,100			
F	0	0	0	0	0	0	0	0	0	0	0	0	0	0	0	0			
Telescoping conditions (%)																			
Tele.1	92	46	0	92	46	0	92	46	0	92	46	0	92	46	92	100			
Tele.2	46	46	0	46	46	0	92	46	46	92	46	92	92	92	92	100			
Tele.3	46	46	46	46	46	92	46	46	92	92	92	92	92	92	92	100			
Tele.4	46	46	46	46	46	92	46	46	92	46	92	92	92	92	92	100			
Tele.5	0	46	92	46	92	92	46	92	92	46	92	92	46	92	92	100			
G	4	4	4	4	4	4	4	4	4	4	4	4	4	4	4	4			



*Over front with special equipment

A : Boom block C : Boom length (feet) E : Maximum capacity without boom pin G : Number of parts of line
 B : Boom number D : Load radius (feet) F : Minimum boom angle (°) for indicated length (no load)

Note: The lifting capacity data stored in the LOAD MOMENT INDICATOR (AML-C) is based on the standard number of parts of line listed in the chart.

GR-1200XL RATED LIFTING CAPACITIES (IN POUNDS)

COUNTERWEIGHT 22,000 lbs (10.0 t) ON OUTRIGGERS FULLY EXTENDED 23'11-3/8" (7.3 m) SPREAD 360° ROTATION						
C	183.7' (56.0 m) + 33.2' (10.1 m) Manual offset jib					
	3.5° Tilt		25° Tilt		45° Tilt	
	R	W	R	W	R	W
81	45.7'	9,900	57.0'	8,600	67.2'	7,900
80	50.2'	9,900	60.8'	8,400	70.8'	7,700
79	54.6'	9,700	64.8'	8,200	74.5'	7,500
78	59.0'	9,500	68.5'	7,900	78.0'	7,300
77	62.6'	9,000	72.5'	7,700	82.0'	7,100
76	66.8'	8,800	76.6'	7,700	85.0'	7,100
75	71.2'	8,600	80.4'	7,500	89.0'	6,800
73	79.0'	8,200	88.0'	7,100	96.0'	6,600
70	91.0'	7,500	99.0'	6,600	106.0'	6,400
68	99.0'	7,100	106.0'	6,400	113.0'	6,200
65	108.0'	5,500	115.0'	5,100	122.0'	5,100
63	113.0'	4,400	121.0'	4,200	127.0'	4,200
60	122.0'	3,300	129.0'	3,300	135.0'	3,300
58	127.0'	2,600	134.0'	2,600	140.0'	2,600
55	135.0'	1,800	142.0'	1,800		
53						
50						

COUNTERWEIGHT 22,000 lbs (10.0 t) ON OUTRIGGERS FULLY EXTENDED 23'11-3/8" (7.3 m) SPREAD 360° ROTATION						
C	172.9' (52.7 m) Boom + 33.2' (10.1 m) Manual offset jib					
	3.5° Tilt		25° Tilt		45° Tilt	
	R	W	R	W	R	W
81	43.7'	11,000	55.0'	9,500	63.5'	8,400
80	47.4'	11,000	58.2'	9,300	66.8'	8,400
79	51.2'	10,800	61.8'	9,000	70.1'	8,200
78	55.3'	10,600	65.4'	8,800	73.4'	7,900
77	57.7'	10,100	68.9'	8,600	77.0'	7,700
76	62.6'	9,900	72.4'	8,400	80.0'	7,500
75	66.2'	9,700	75.9'	8,200	83.0'	7,500
73	73.3'	9,000	83.0'	7,700	90.0'	7,300
70	84.1'	8,400	93.0'	7,300	100.0'	6,800
68	91.0'	7,900	100.0'	7,100	106.0'	6,600
65	101.0'	7,100	110.0'	6,400	115.0'	6,200
63	107.0'	6,000	116.0'	5,300	120.0'	5,300
60	116.0'	4,600	123.0'	4,200	127.0'	4,200
58	121.0'	3,700	130.0'	3,500	132.0'	3,500
55	129.0'	2,900	135.0'	2,600	139.0'	2,600
53	134.0'	2,200	140.0'	2,200	143.0'	2,200
50	141.0'	1,500	147.0'	1,500		

COUNTERWEIGHT 22,000 lbs (10.0 t) ON OUTRIGGERS FULLY EXTENDED 23'11-3/8" (7.3 m) SPREAD 360° ROTATION						
C	159.6' (48.6 m) Boom + 33.2' (10.1 m) Manual offset jib					
	3.5° Tilt		25° Tilt		45° Tilt	
	R	W	R	W	R	W
81	39.9'	13,200	51.3'	11,500	59.7'	9,900
80	43.3'	13,200	54.3'	11,000	62.6'	9,700
79	47.4'	13,200	57.6'	10,800	65.9'	9,700
78	51.0'	13,000	60.9'	10,600	69.0'	9,500
77	54.3'	12,600	64.2'	10,400	72.0'	9,300
76	57.6'	12,100	67.5'	10,100	75.0'	9,000
75	61.0'	11,900	70.7'	9,900	79.0'	9,000
73	67.5'	11,000	77.5'	9,500	84.0'	8,600
70	77.6'	10,100	87.0'	9,000	94.0'	8,400
68	84.2'	9,700	93.0'	8,600	100.0'	8,200
65	93.0'	8,200	102.0'	7,300	107.0'	7,100
63	99.0'	7,100	107.0'	6,400	112.0'	6,200
60	107.0'	5,500	115.0'	5,100	118.0'	4,900
58	113.0'	4,600	119.0'	4,400	123.0'	4,200
55	120.0'	3,500	126.0'	3,300	129.0'	3,300
53	124.0'	3,100	131.0'	2,900	134.0'	2,900
50	131.0'	2,200	137.0'	2,200	140.0'	2,200
48	136.0'	1,800	141.0'	1,800	144.0'	1,800
45	142.0'	1,300				
43						
40						
38						
35						
33						
30						
25						
20						
15						
10						

COUNTERWEIGHT 22,000 lbs (10.0 t) ON OUTRIGGERS FULLY EXTENDED 23'11-3/8" (7.3 m) SPREAD 360° ROTATION						
C	106.1' (32.4 m) Boom + 33.2' (10.1 m) Manual offset jib					
	3.5° Tilt		25° Tilt		45° Tilt	
	R	W	R	W	R	W
81	22.7'	14,600	36.6'	14,600	43.0'	10,800
80	25.4'	14,600	39.0'	14,100	45.5'	10,600
79	27.9'	14,600	41.6'	13,900	47.9'	10,600
78	30.6'	14,600	44.2'	13,400	50.1'	10,400
77	33.3'	14,600	46.7'	13,200	52.2'	10,100
76	35.8'	14,600	49.2'	12,800	54.4'	10,100
75	38.4'	14,600	51.5'	12,600	56.5'	9,900
73	43.5'	14,600	56.0'	12,100	60.6'	9,900
70	51.0'	14,600	62.9'	11,700	66.7'	9,700
68	55.8'	14,600	67.2'	11,200	70.6'	9,500
65	62.5'	14,600	73.5'	10,800	76.2'	9,300
63	67.0'	14,600	77.5'	10,600	80.2'	9,300
60	73.3'	13,700	83.0'	10,400	85.4'	9,300
58	77.5'	13,200	87.0'	10,400	88.8'	9,300
55	83.4'	12,600	93.0'	10,100	93.8'	9,000
53	86.9'	11,500	96.0'	9,900	96.9'	9,000
50	92.2'	9,900	101.0'	9,000	101.0'	8,800
48	95.6'	9,000	104.0'	8,400	104.0'	8,200
45	100.0'	8,200	108.0'	7,500	108.0'	7,300
43	104.0'	7,500	110.0'	7,100		
40	108.0'	6,600	114.0'	6,400		
38	111.0'	6,200	116.0'	6,000		
35	115.0'	5,700	120.0'	5,500		
33	117.0'	5,300	122.0'	5,100		
30	121.0'	4,900	124.0'	4,600		
25	125.0'	4,200	128.0'	4,200		
20	129.0'	3,700				
15	132.0'	3,500				
10	134.0'	3,300				

C: Loaded boom angle (°)
R: Load radius in feet
W: Rated lifting capacity in pounds

NOTE: The lifting capacity data stored in the LOAD MOMENT INDICATOR (AML-C) is based on the standard number of parts of line listed in the chart.

GR-1200XL RATED LIFTING CAPACITIES (IN POUNDS)

COUNTERWEIGHT 22,000 lbs (10.0 t) ON OUTRIGGERS FULLY EXTENDED 23'11-3/8" (7.3 m) SPREAD 360° ROTATION													
C	183.7' (56.0 m) Boom + 58.1' (17.7 m) Manual offset jib						C	172.9' (52.7 m) Boom + 58.1' (17.7 m) Manual offset jib					
	3.5° Tilt		25° Tilt		45° Tilt			3.5° Tilt		25° Tilt		45° Tilt	
	R	W	R	W	R	W		R	W	R	W	R	W
81	53.1'	6,400	75.3'	6,000	89.8'	5,100	50.0'	6,800	69.8'	6,200	86.1'	5,100	
80	58.1'	6,400	79.8'	5,700	93.7'	4,900	54.0'	6,800	75.0'	6,200	89.7'	5,100	
79	63.4'	6,400	84.0'	5,500	98.0'	4,900	59.0'	6,800	78.9'	6,000	93.3'	5,100	
78	68.2'	6,400	88.8'	5,500	102.0'	4,900	63.5'	6,800	82.6'	5,700	96.9'	4,900	
77	73.6'	6,400	93.0'	5,300	106.0'	4,600	68.1'	6,800	86.8'	5,700	101.0'	4,900	
76	78.8'	6,400	97.3'	5,300	110.0'	4,600	72.6'	6,800	90.9'	5,500	104.0'	4,900	
75	83.3'	6,200	101.4'	5,100	114.0'	4,600	77.2'	6,800	94.9'	5,500	107.0'	4,600	
73	93.0'	6,000	110.0'	4,900	121.0'	4,400	85.9'	6,600	103.0'	5,300	114.0'	4,600	
70	106.4'	5,500	122.0'	4,600	131.0'	4,200	98.9'	6,200	114.0'	5,100	124.0'	4,400	
68	114.0'	4,900	129.0'	4,200	138.0'	4,000	107.0'	5,700	122.0'	4,900	131.0'	4,400	
65	123.0'	3,500	138.0'	3,100	146.0'	2,900	118.0'	4,900	132.0'	4,200	140.0'	3,700	
63	129.0'	2,600	144.0'	2,400	152.0'	2,400	124.0'	4,000	137.0'	3,300	145.0'	3,300	
60	138.0'	1,800					132.0'	2,900	145.0'	2,400	152.0'	2,400	
58							138.0'	2,200	150.0'	2,000	157.0'	2,000	
55							146.0'	1,500					

COUNTERWEIGHT 22,000 lbs (10.0 t) ON OUTRIGGERS FULLY EXTENDED 23'11-3/8" (7.3 m) SPREAD 360° ROTATION													
C	159.6' (48.6 m) Boom + 58.1' (17.7 m) Manual offset jib						C	106.1' (32.4 m) Boom + 58.1' (17.7 m) Manual offset jib					
	3.5° Tilt		25° Tilt		45° Tilt			3.5° Tilt		25° Tilt		45° Tilt	
	R	W	R	W	R	W		R	W	R	W	R	W
81	46.3'	7,700	66.3'	6,600	80.7'	5,300	30.1'	9,900	51.8'	7,300	64.7'	5,300	
80	50.1'	7,700	70.2'	6,600	83.8'	5,100	33.3'	9,900	54.7'	7,100	67.2'	5,100	
79	54.7'	7,700	73.9'	6,400	87.6'	5,100	36.5'	9,900	57.4'	6,800	69.6'	5,100	
78	58.9'	7,700	77.5'	6,200	90.9'	5,100	39.7'	9,900	60.0'	6,600	72.0'	5,100	
77	63.1'	7,700	81.3'	6,200	94.0'	4,900	42.8'	9,900	62.8'	6,600	74.4'	4,900	
76	67.2'	7,700	84.8'	6,000	97.3'	4,900	46.0'	9,900	65.5'	6,400	76.6'	4,900	
75	71.8'	7,700	88.9'	6,000	101.0'	4,900	48.8'	9,900	68.2'	6,400	79.0'	4,900	
73	80.0'	7,700	96.1'	5,700	107.0'	4,900	54.7'	9,900	73.6'	6,200	83.6'	4,900	
70	91.7'	7,300	106.0'	5,300	117.0'	4,600	63.0'	9,000	80.8'	5,700	89.9'	4,600	
68	99.8'	7,100	114.0'	5,100	123.0'	4,600	68.1'	8,400	85.9'	5,500	94.3'	4,600	
65	110.0'	6,000	124.0'	5,100	132.0'	4,400	76.1'	7,900	92.8'	5,300	100.0'	4,400	
63	116.0'	5,100	130.0'	4,400	137.0'	4,000	80.9'	7,500	97.6'	5,300	104.0'	4,400	
60	124.0'	3,700	137.0'	3,300	143.0'	3,100	88.5'	7,100	104.0'	5,100	110.0'	4,400	
58	129.0'	3,100	142.0'	2,900	148.0'	2,600	93.4'	7,100	108.0'	5,100	113.0'	4,400	
55	137.0'	2,200	149.0'	2,000	154.0'	2,000	100.0'	6,600	114.0'	4,900	118.0'	4,400	
53	142.0'	1,800	154.0'	1,500			105.0'	6,400	118.0'	4,900	121.0'	4,200	
50							111.0'	6,200	124.0'	4,600	126.0'	4,200	
48							115.0'	6,000	127.0'	4,600	128.0'	4,200	
45							121.0'	5,700	132.0'	4,600	132.0'	4,200	
43							125.0'	5,300	135.0'	4,600			
40							130.0'	4,900	139.0'	4,400			
38							133.0'	4,400	141.0'	4,000			
35							137.0'	4,000	144.0'	3,700			
33							140.0'	3,700	146.0'	3,500			
30							144.0'	3,300	149.0'	3,100			
25							149.0'	2,900	152.0'	2,600			
20							154.0'	2,600					
15							157.0'	2,200					
10							159.0'	2,200					

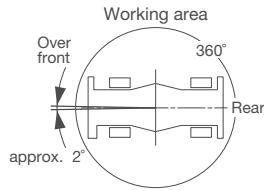
C: Loaded boom angle (°)
R: Load radius in feet
W: Rated lifting capacity in pounds

NOTE: The lifting capacity data stored in the LOAD MOMENT INDICATOR (AML-C) is based on the standard number of parts of line listed in the chart.

GR-1200XL RATED LIFTING CAPACITIES (IN POUNDS)

COUNTERWEIGHT 22,000 lbs (10.0 t) ON-RUBBER STATIONARY																																
A	Over front										360° Rotation																					
	39.4'		52.7'		66.1'		79.4'		92.8'		39.4'		52.7'		66.1'		79.4'		92.8'													
B	C	(12.0 m)	C	(16.1 m)	C	(20.1 m)	C	(24.2 m)	C	(28.3 m)	C	(12.0 m)	C	(16.1 m)	C	(20.1 m)	C	(24.2 m)	C	(28.3 m)												
15'	62	50,400									63	30,400																				
20'	53	38,000	64	40,300							53	20,500	64	23,400																		
25'	42	29,400	58	31,900	65	33,000					42	10,200	58	13,200	65	14,700																
30'	28	23,300	50	25,800	60	26,900	66	28,000	71	28,100	28	6,000	50	8,800	60	10,200	66	11,400	71	11,700												
35'			42	21,100	55	22,300	62	23,400	67	23,500			42	5,700	55	7,100	62	8,300	67	8,500												
40'			32	14,900	49	16,400	58	19,800	64	19,900			32	3,500	49	4,900	58	6,100	64	6,300												
45'			17	11,600	42	13,000	53	14,200	60	14,400			17	1,900	43	3,200	53	4,400	60	4,600												
50'					35	10,500	48	11,700	56	11,800					35	1,900	48	3,000	56	3,200												
55'					25	8,500	43	9,600	52	9,800							43	2,000	52	2,200												
60'							37	8,000	48	8,100																						
65'							30	6,600	43	6,800																						
70'							19	5,500	38	5,600																						
75'									32	4,700																						
80'									25	3,800																						
85'									13	3,200																						
D					0										27			37			48											
Telescoping conditions (%)																																
Tele.1	0		0		0		0		0		0		0		0		0		0		0											
Tele.2	0		0		0		0		0		0		0		0		0		0		0											
Tele.3	0		0		0		0		0		0		0		0		0		0		0											
Tele.4	0		0		0		46		92		0		0		46		92		0		0											
Tele.5	0		46		92		92		92		0		46		92		92		92		92											
E							4														4											

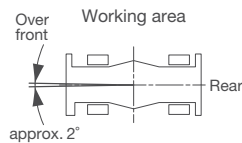
- A: Boom length in feet
- B: Load radius in feet
- C: Loaded boom angle (°)
- D: Minimum boom angle (°) for indicated length (no load)
- E: Number of parts of line



NOTE: The lifting capacity data stored in the LOAD MOMENT INDICATOR (AML-C) is based on the standard number of parts of line listed in the chart. Standard number of parts of line for on-rubber operation should be according to the chart.

COUNTERWEIGHT 22,000 lbs (10.0 t) ON-RUBBER CREEP											
A	Over front										
	39.4'		52.7'		66.1'		79.4'		92.8'		
B	C	(12.0m)	C	(16.1m)	C	(20.1m)	C	(24.2m)	C	(28.3m)	
15'	62	37,600									
20'	53	27,400	64	29,500							
25'	42	20,600	57	22,700	65	24,000					
30'	27	15,700	50	17,900	60	19,200	66	20,300	70	20,300	
35'			42	14,200	54	15,500	62	16,600	67	16,700	
40'			32	11,300	49	12,600	57	13,700	63	13,900	
45'			16	9,000	42	10,300	53	11,400	60	11,600	
50'					34	8,400	48	9,500	56	9,700	
55'					25	6,900	42	8,000	52	8,100	
60'							36	6,700	48	6,800	
65'							29	5,500	43	5,700	
70'							19	4,600	38	4,700	
75'									32	3,900	
80'									25	3,100	
85'									13	2,500	
D										0	
Telescoping conditions (%)											
Tele.1	0		0		0		0		0		0
Tele.2	0		0		0		0		0		0
Tele.3	0		0		0		0		0		0
Tele.4	0		0		0		46		92		92
Tele.5	0		46		92		92		92		92
E											4

- A: Boom length in feet
- B: Load radius in feet
- C: Loaded boom angle (°)
- D: Minimum boom angle (°) for indicated length (no load)
- E: Number of parts of line



NOTE: The lifting capacity data stored in the LOAD MOMENT INDICATOR (AML-C) is based on the standard number of parts of line listed in the chart. Standard number of parts of line for on-rubber operation should be according to the chart.

WARNING AND OPERATING INSTRUCTIONS FOR ON RUBBER LIFTING CAPACITIES

NOTES FOR ON-RUBBER LIFTING CAPACITIES

1. Rated lifting capacities on-rubber are in pounds and do not exceed 75% of tipping loads as determined by SAE J765-Crane Stability Test Code.
2. Rated lifting capacities shown in The chart are based on condition that crane is set on firm level surfaces with suspension-lock applied. Those above thick lines are based on tire capacity and those below, on crane stability. They are based on actual load radius increased by tire deformation and boom deflection.
3. If the suspension-lock cylinders contain air,The axle will not be locked completely and rated lifting capacities may not be obtainable. Bleed the cylinders according to the operation safety and maintenance manual.
4. Rated lifting capacities are based on proper tire inflation, capacity and condition. Damaged tires are hazardous to safe operation of crane.
5. Tires shall be inflated to correct air pressure.

Tires	Air Pressure
29.5-25 34PR	57 psi. (400 kPa)

6. Over front operation shall be performed within 2 degrees in front of chassis.
7. On-rubber lifting with "jib" is not permitted. Maximum permissible boom length is 92.8' (28.3 m).
8. When making lift on-rubber stationary,set parking brake.
9. For creep operation,boom must be centered over front of machine,slewing lock engaged, and load restrained from slewing. Travel slowly and keep the lifted load as close to the ground as possible,and especially avoid any abrupt steering,accelerating or braking.
10. Do not operate the crane while carrying the load.
11. Creep is motion for crane not to travel more than 200 ft. (60 m) in any 30 minute period and to travel at the speed of less than 1 mph (1.6 km/h).
12. For creep operation,choose the drive mode and proper gear according to the road or working condition.
13. The mass of the hook (2380 lbs (1080 kg) for 120 ton(110 metric ton)capacity, 660 lbs (300 kg)for 7.9 ton (7.2 metric ton) capacity), slings and all similarly used load handling devices must be considered as part of the load and must be deducted from the lifting capacities.
15. For rated lifting capacity of single top, reduce the rated lifting capacities of relevant boom according to a weight reductions for auxiliary load handling equipment. Capacities of single top shall not exceed 15,900 lbs (7,200 kg) including main hook.
16. The lifting capacity data stowed in the LOAD MOMENT INDICATOR (AML-C) is based on the standard number of parts of line listed in the chart. Standard number of parts of line for on rubber operation should be according to the following table.

WARNING AND OPERATING INSTRUCTIONS

NOTES FOR LIFTING CAPACITIES

GENERAL

1. RATED LIFTING CAPACITIES apply only to the machine as originally manufactured and normally equipped by TADANO LTD. Modifications to the machine or use of optional equipment other than that specified can result in a reduction of capacity.
2. Hydraulic cranes can be hazardous if improperly operated or maintained. Operation and maintenance of this machine must be in compliance with information, in the Operation and Maintenance Manual supplied with the crane. If this manual is missing, order a replacement through the distributor.
3. The operator and other personnel associated with this machine shall fully acquaint themselves with the latest American National Standards Institute (ANSI) safety standards for cranes.

SET UP

1. Rated lifting capacities on the chart are the maximum allowable crane capacities and are based on the machine standing level on firm supporting surface under ideal job conditions. Depending on the nature of the supporting surface, it may be necessary to have structural supports under the outrigger floats or tires to spread the loads to a larger bearing surface.
2. For outrigger operation, outriggers shall be properly extended with tires free of supporting surface before operating crane.

OPERATION

1. Rated lifting capacities have been tested to and meet minimum requirements of SAE J1063-Cantilevered Boom Crane Structures Method of Test.
2. Rated lifting capacities do not exceed 85% of the tipping load on outriggers fully extended as determined by SAE J765-Crane Stability Test Code.
Rated lifting capacities FOR partially extended outriggers are determined from the formula, Rated Lifting Capacities=(Tipping Load-0.1×Tip Reaction)/1.25.
3. Rated lifting capacities above thick lines in the chart are based on crane strength and those below, on its stability. They are based on actual load radius increased by boom deflection.
4. The weight of handling device such as hook blocks, slings, etc., must be considered as part of the load and must be deducted from the lifting capacities.
5. Rated lifting capacities are based on freely suspended loads and make no allowance for such factors as the effect of wind, sudden stopping of loads, supporting surface conditions, inflation of tires, operating speeds, side loads, etc. Side pull on the boom or jib is extremely dangerous.
Such action can damage the boom, jib or swing mechanism, and lead to overturning of the crane.
6. Rated lifting capacities do not account for wind on lifted load or boom. We recommend against working under the condition that the load is out of control due to a strong wind. During boom lift, consider that the rated lifting capacity is reduced by 50% when the wind speed is 20 mph (9 m/s) to 27 mph (12 m/s); reduced by 70% when the wind speed is 27 mph (12 m/s) to 31 mph (14 m/s). If the wind speed is 31 mph (14 m/s) or over, stop operation. However, in the following conditions, stop operation at wind speed of 27 mph (12 m/s): Boom length is 183.7' (56.0 m) (all 100%), and boom angle is 55° or less. Boom length is 172.9' (52.7 m) (all 92%), and boom angle is 45° or less.
During jib lift, stop operation if the wind speed is 20 mph (9 m/s) or over.

7. Rated lifting capacities at load radius shall not be exceeded. Do not tip the crane to determine allowable loads.
8. Do not operate at boom lengths, radii, or boom angle, where no capacities are shown. Crane may overturn without any load on the hook.
9. When boom length is between values listed, refer to the rated lifting capacities of the next longer and next shorter booms for the same radius. the lesser of the two rated lifting capacities shall be used.
10. When making lifts at a load radius not shown, use the next longer radius to determine allowable capacity.
11. Load per line should not exceed 15,900 lbs. (7,200 kg) for main winch and auxiliary winch.
12. Check the actual number of parts of line with LOAD MOMENT INDICATOR (AML-C) before operation. Maximum lifting capacity is restricted by the number of parts of line of LOAD MOMENT INDICATOR (AML-C). Limited capacity is as determined FROM the formula, Single line pull for main winch 15,900 lbs. (7,200 kg) x number of parts of line.
13. The boom angle before loading should be greater to account for deflection. For rated lifting capacities, the loaded boom angle and the load radius is for reference only.
14. Maximum capacity without boom pin is shown in the chart.
15. Do not operate extension or retraction of the boom with loads.
16. For lifting capacity of single top, deduct the weight of the load handling equipment from the rated lifting capacity of the boom. For the lifting capacity of single top, the net capacity shall not exceed 15,900 lbs. (7,200 kg) including main boom hook mass attached to the boom.
17. When the base jib or top jib or both jibs are removed, set the jib status switch to the DISMOUNTED position.
18. When erecting and stowing jib, be sure to retain it by hand or by other means to prevent its free movement.
19. Use "ANTI-TWO-BLOCK" disable switch when erecting and stowing jib and when stowing hook block.
While the switch is pushed, the hoist does not stop, even when overwind condition occurs.
20. For selected boom length or less with jib, rated lifting capacities are determined by loaded boom angle only in the column headed "selected boom + jib".
21. Crane operation is prohibited without full counterweight 22,000 lbs. (10 ton) installed. Outriggers shall be extended 23'11 3/8" (7.3 m) spread when installing or removing removable counterweight.

DEFINITIONS

1. Load Radius: Horizontal distance from a projection of the axis of rotation to supporting surface before loading to the center of the vertical hoist line or tackle with load applied.
2. Loaded boom angle: THE angle between the boom base section and the horizontal, after lifting the rated lifting capacity at the load radius.
3. Working Area: Area measured in a circular arc about the centerline of rotation.
4. Freely suspended Load: Load hanging free with no direct external force applied except by the hoist line.
5. Side Load: Horizontal side force applied to the lifted load either on the ground or in the air.

NOTES FOR LOAD MOMENT INDICATOR (AML-C)

- Set AML select keys in accordance with the actually operating crane conditions and don't fail to make sure, before crane operation, that the displays on front panel are correct.
 - When operating crane on outriggers:
 - Set "P.T.O." switch to "ON".
 - Press the outrigger state select key to register for the outrigger operation. If the display agrees with the actual state, press the set key to register. After the completion of the registration, the pop-up window closes.
 - Press the lift state select key to register the lift state to be used (single top/jib/boom).
 - Each time the lift state select key is pressed, the display changes. If the display agrees with the actual state, press the set key to register. After the completion of the registration, the pop-up window closes.
 - When erecting and stowing jib, select the status of jib set (Jib lift indicator symbol flickers).
 - When operating crane on-rubber:
 - Set "P.T.O." switch to "ON".
 - Press the outrigger state select key to register for the on-rubber operation. Each time the outrigger state select key is pressed, the display changes. Select the creep operation, the on-rubber state indicator symbol flickers.
 - Press the lift state select key to register the lift state.
- However, pay attention to the following.
- (1) For stationary operation.
- The front capacities are attainable only when the over front position symbol comes on. When the boom is more than 2 degrees from centered over front of chassis, 360° capacities are in effect.
 - When a load is lifted in the front position and then slewed to the side area, make sure the value of the LOAD MOMENT INDICATOR (AML-C) is below the 360° lifting capacity.
- (2) For creep operation.
- The creep capacities are attainable only when boom is in the straight forward position of chassis and the over front position symbol is on. If boom is not in the straight forward position of chassis, never lift load.
- This machine is equipped with an automatic swing stopping device. (For the details, see Operation and Maintenance Manual.) But, operate very carefully because the automatic swing stop does not work in the following cases.
 - During on-rubber operation.
 - When the "P.T.O." switch is set to "OVERRIDE" and the "OVERRIDE" key switch outside the cab is on.
 - During crane operation, make sure that the displays on front panel are in accordance with actual operating conditions.
 - THE displayed values of LOAD MOMENT INDICATOR (AML-C) are based on freely suspended loads and make no allowance FOR such factors as the effect of wind, sudden stopping of loads, supporting surface conditions, inflation of tire, operating speed, side loads, etc.
For safe operation, it is recommended when extending and lowering boom or swinging, lifting loads shall be appropriately reduced.
 - LOAD MOMENT INDICATOR (AML-C) is intended as an aid to the operator. Under no condition should it be relied upon to replace use of capacity charts and operating instruction. Sole reliance upon LOAD MOMENT INDICATOR (AML-C) aids in place of good operating practice can cause an accident. The operator must exercise caution to assure safety.
 - The lifting capacity differs depending on the outrigger extension width and slewing position. Work with the capacity corresponding to the outrigger extension width and slewing position. For the relationship among the outrigger extension width, slewing position and lifting capacities, refer to the working area charts.

GR-1200XL Axle Weight Distribution Chart

	Pounds			Kilograms		
	GVW	Front	Rear	GVW	Front	Rear
Basic machine	122,554	61,156	61,398	55,590	27,740	27,850
Remove:						
1. 7.9 ton (7.2 metric ton) hook block	-661	-1,007	346	-300	-457	157
2. 120 ton (110 metric ton) hook block	-2,381	-4,596	2,215	-1,080	-2,085	1,005
3. Top jib	-736	-989	252	-334	-448	114
4. Base jib	-1,889	-3,741	1,852	-857	-1,697	840
5. Auxiliary lifting sheave	-129	-385	256	-59	-175	116
6. Counterweight	-22,046	9,628	-31,674	-10,000	4,367	-14,367
7. Auxiliary winch & wire rope	-2,272	1,022	-3,295	-1,031	464	-1,494
Add:						
1. 75 ton (68 metric ton) hook block	1,500	2,896	-1,396	680	1,313	-633



TADANO AMERICA Corporation

4242 West Greens Road

Houston, Texas 77066

Phone (281)869-0030

Fax: (281) 869-0040

www.tadanoamerica.com

Form No. TAC-GR-1200-3-00103-04302018