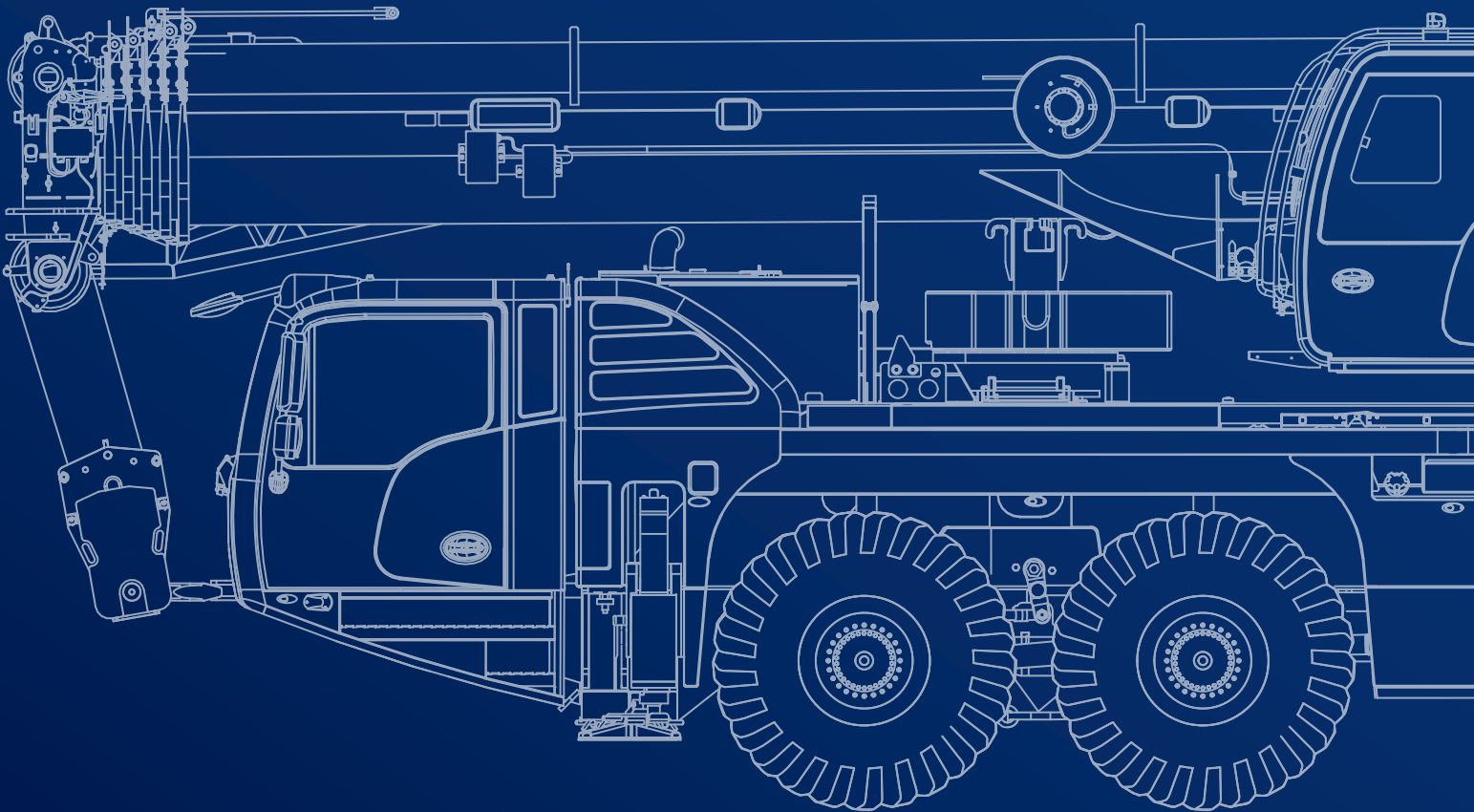


AC 4.070-2

75 US TON MAX. CRANE CAPACITY



PRELIMINARY



October 2022. Unless otherwise specified, all information in this brochure refers to a standard crane equipment, and it is intended as general information only. No liability is assumed. Errors reserved. Product specifications and prices are subject to changes without notice. The photographs and/or drawings in this brochure are for illustrative purposes only. For correct and safe crane operation, the original operating manual and lifting capacity charts are essential. Failure to follow the corresponding Operator's Manual when using our equipment or failure to otherwise act responsibly may result in property damage, serious injury or death. The sole warranty applicable with respect to our equipment is the standard warranty as per general terms and conditions of sales and service (ask your local Tadano dealer for details), and Tadano makes no other warranty, express or implied. All rights reserved. Any use of the trademarks, logos, brand names and model names used herein is prohibited.

© Tadano Ltd. 2022

Contents

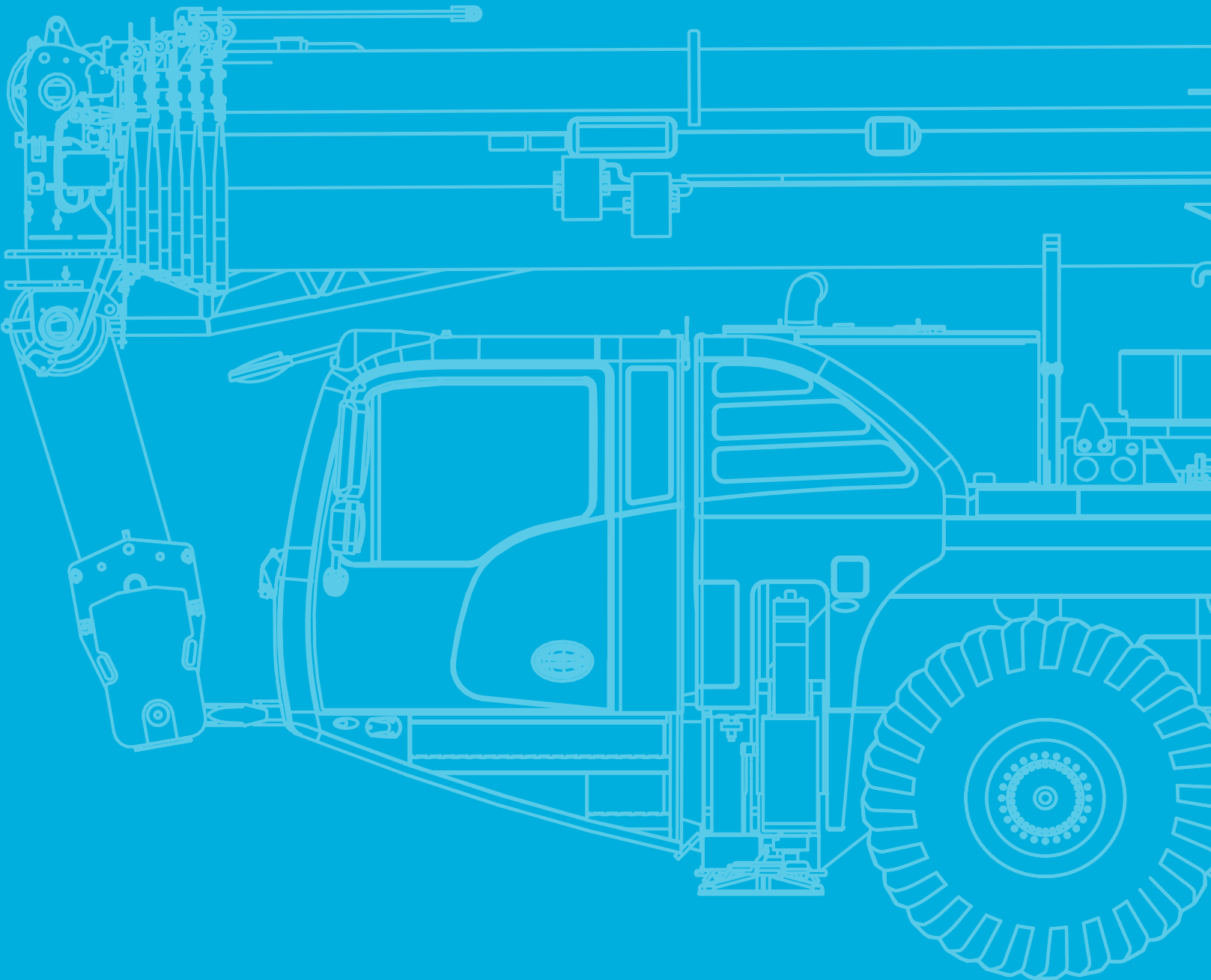
General	5
Vehicle dimensions	6
Boom combinations	7
On-road and off-road driving	9
Axle loads	10
Speeds and gradeability	10
Steering	10
Transportation	11
Counterweight	12-13
Configurations	12
Jib	14
Operation	15
Main boom	17
Slewing	17
Hoist	17
Outrigger cylinders	17
Hook Blocks	17
HA: Main boom	18-23
HAV: Folding swing-away jib	24-35
MS: Runner	36-39
Notes to Lifting Capacity	40
Technical Description	41
Basic machine	42
Additional equipment	43

Key



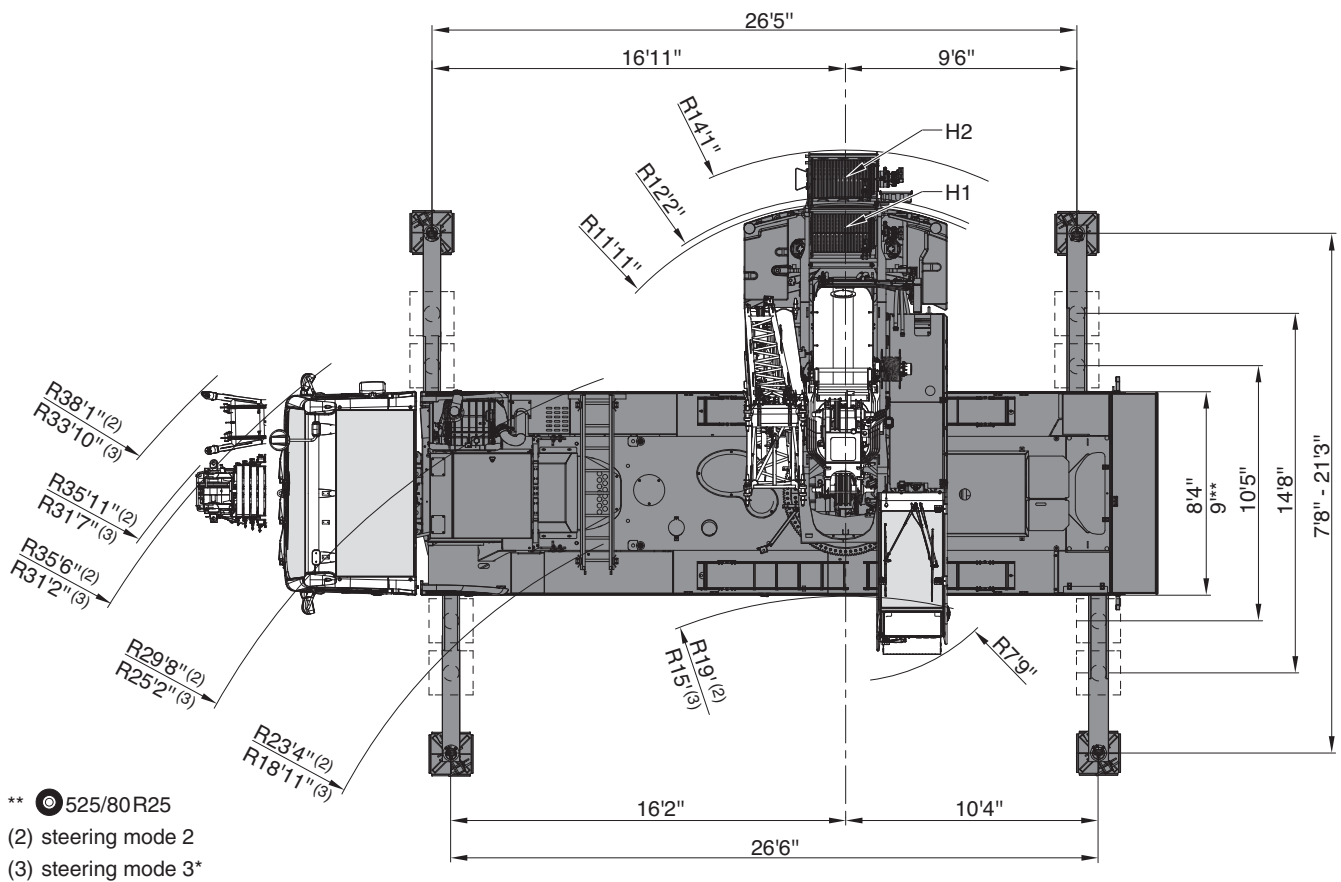
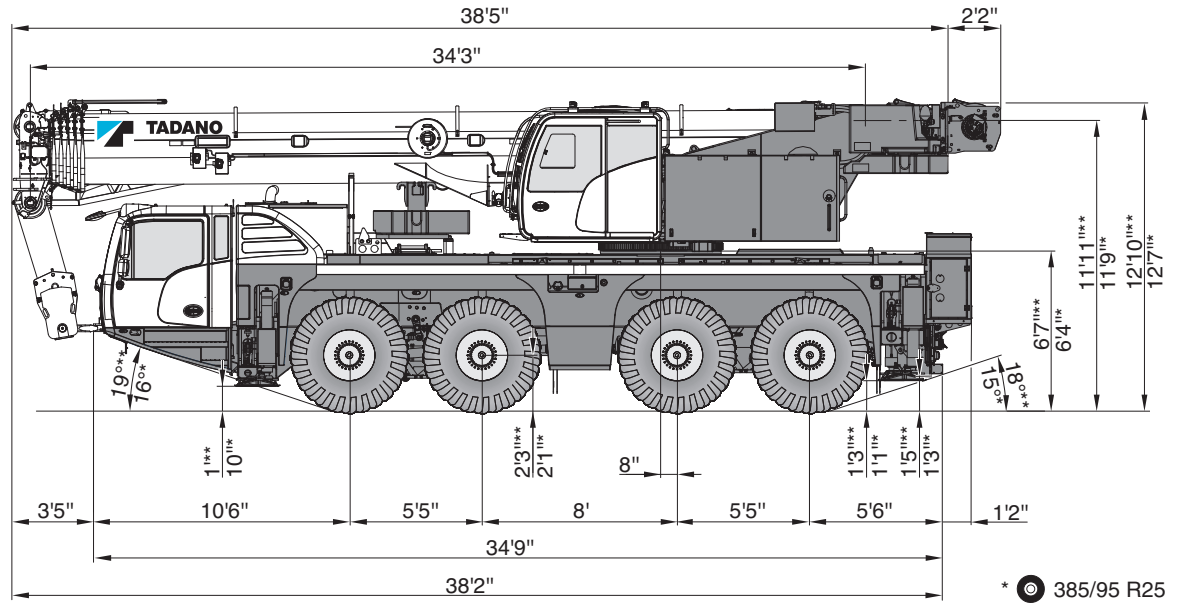
	Counterweight		Dolly
	Lifting capacities on outriggers · 360°		Working speeds
	Radius		Slewing
	Main boom		Max. line pull
	Folding swing-away jib		Rope diameter
	Runner		Rope length
	Max. axle loads		Hook block
	Mechanism		Number of lines
	Tires		Possible load of hook block
	Hook block		Weight of hook block
	Hoist		Distance head sheave axle – hook ground
	Travel speed		Number of sheaves in hook block
	Gradeability %		Max. outrigger load
	Off road / On road		Length of stroke (support cylinders)
	Boom telescoping		Payload incl. rear storage box
	Boom elevation		

GENERAL TECHNICAL DATA



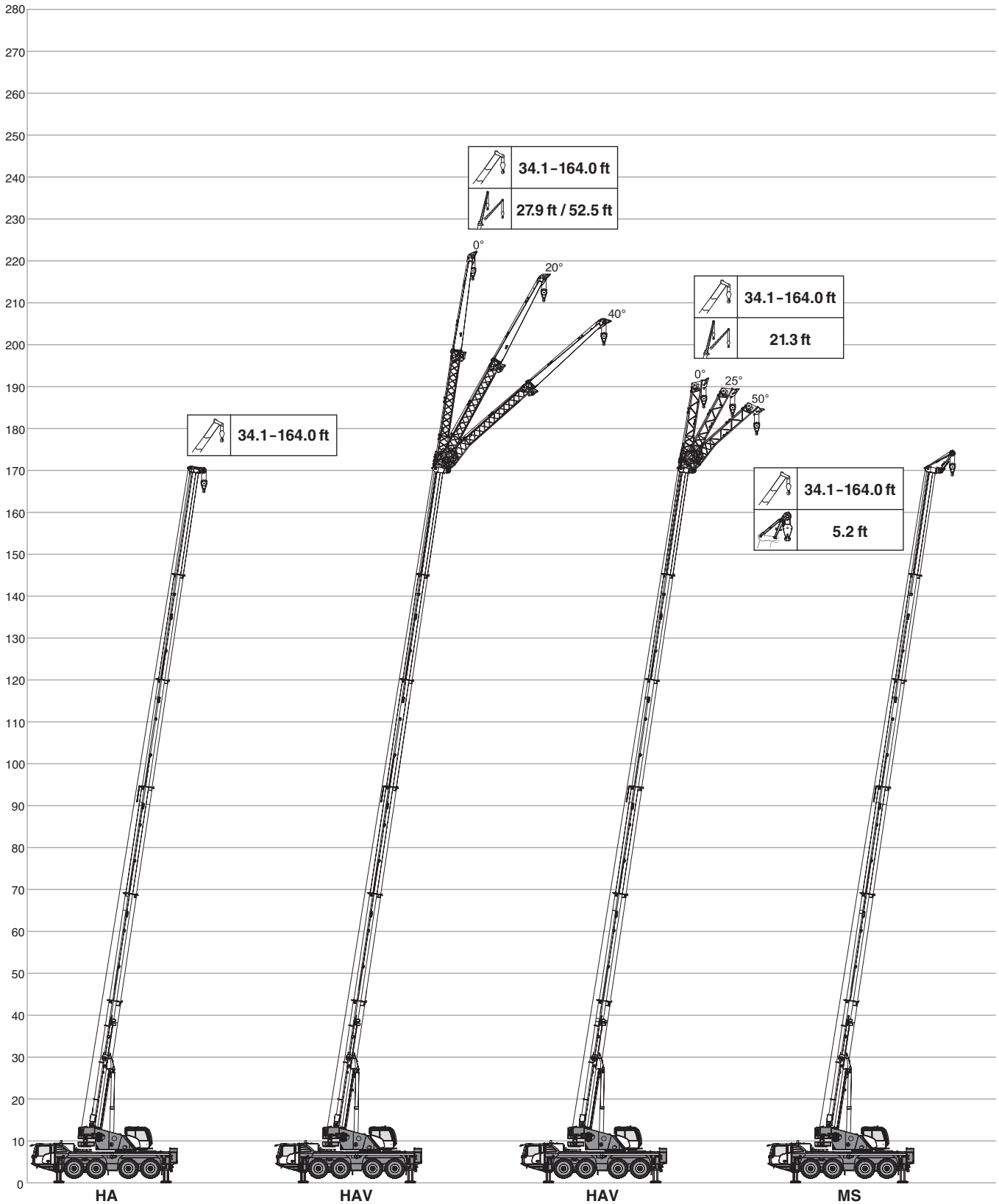
General

Vehicle dimensions

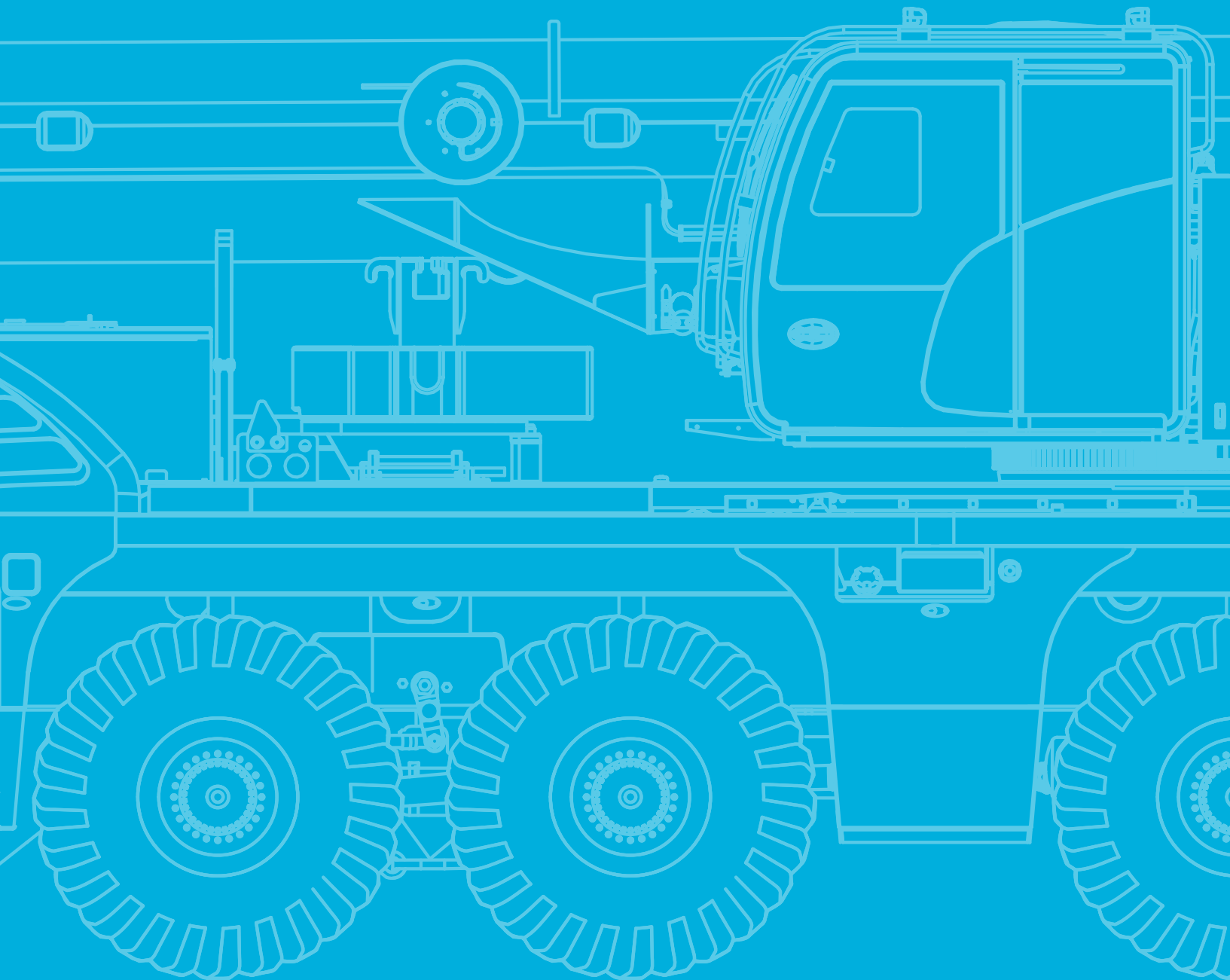


General

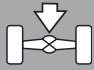
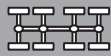





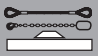
Boom combinations







TECHNICAL DATA FOR ON-ROAD AND OFF-ROAD DRIVING



On-road and off-road driving

Axle loads									
	Total								
< 22,050 lbs	< 75,000 lbs	8 x 4 x 8	385/95R25	164.0 ft	–	–	–	–	–
< 22,050 lbs	< 88,200 lbs	8 x 6 x 8	445/95R25	164.0 ft	44,100 lbs	9,700 lbs	–	–	880 lbs
< 26,500 lbs	< 105,800 lbs	8 x 6 x 8	445/95R25	164.0 ft	110,200 lbs	26,200 lbs	21.3 ft	–	330 lbs
< 26,500 lbs	< 105,800 lbs	8 x 6 x 8	445/95R25	164.0 ft	44,100 lbs	23,400 lbs	21.3 ft	X	330 lbs
< 26,500 lbs	< 105,800 lbs	8 x 6 x 8	445/95R25	164.0 ft	–	26,200 lbs	52.5 ft	–	–
< 26,500 lbs	< 105,800 lbs	8 x 6 x 8	445/95R25	164.0 ft	17,600 lbs	23,400 lbs	52.5 ft	X	220 lbs

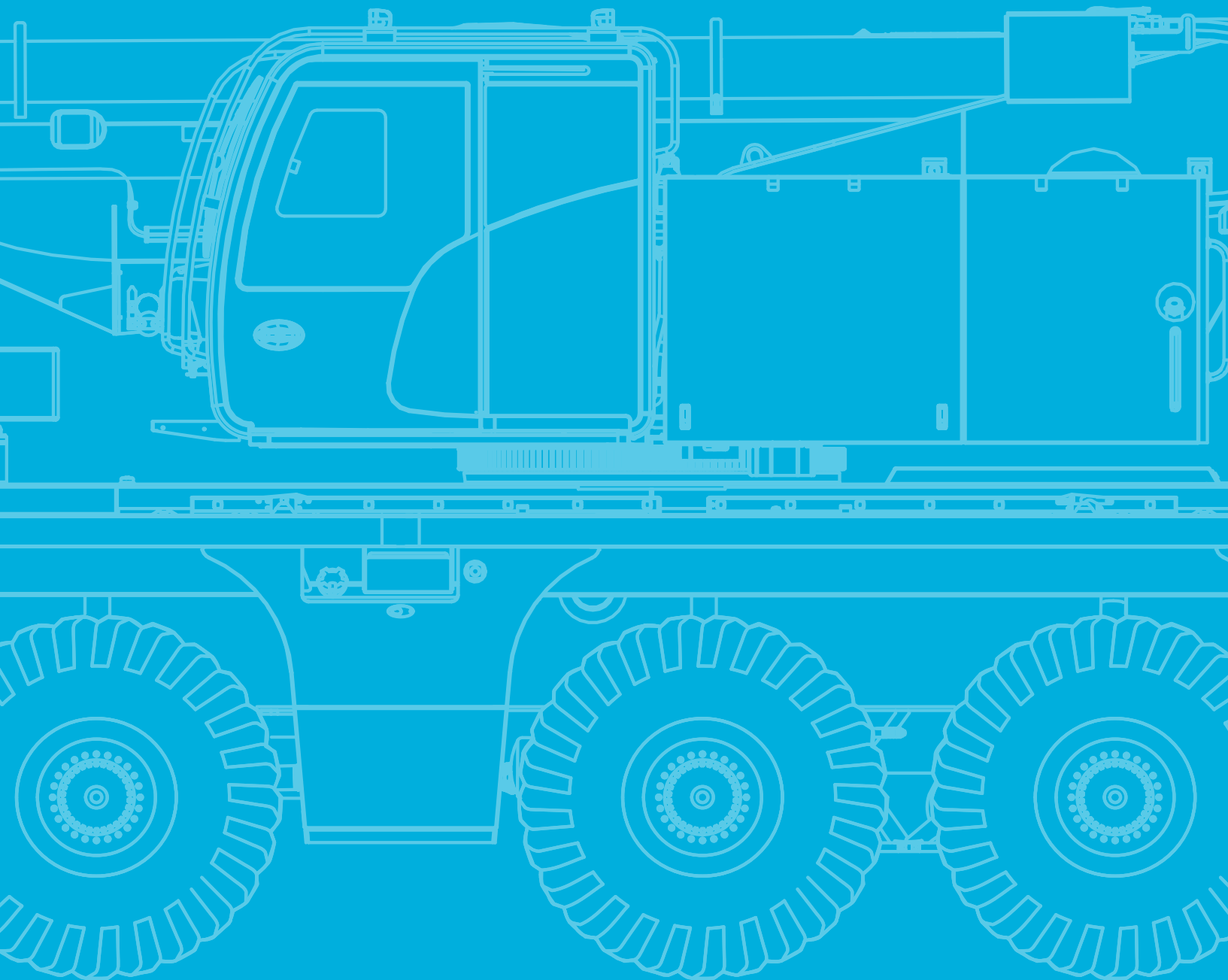
Speeds and gradeability			
	385/95 R 25 14.00 R 25	445/95 R 25 16.00 R 25	525/80 R 25 20.50 R 25
 %	46 %	42 %	42 %
 %	> 70 %	> 60 %	> 60 %
	52.8 mph ¹⁾		

¹⁾ Depending on tire type, size and country specific legislation

Steering	
	1 Highway > 28 mph
	2 City < 28 mph
	3* Minimum turning radius < 3.1 mph
	4* Off-wall
	5* Crab steer mode
	6* All wheel steering

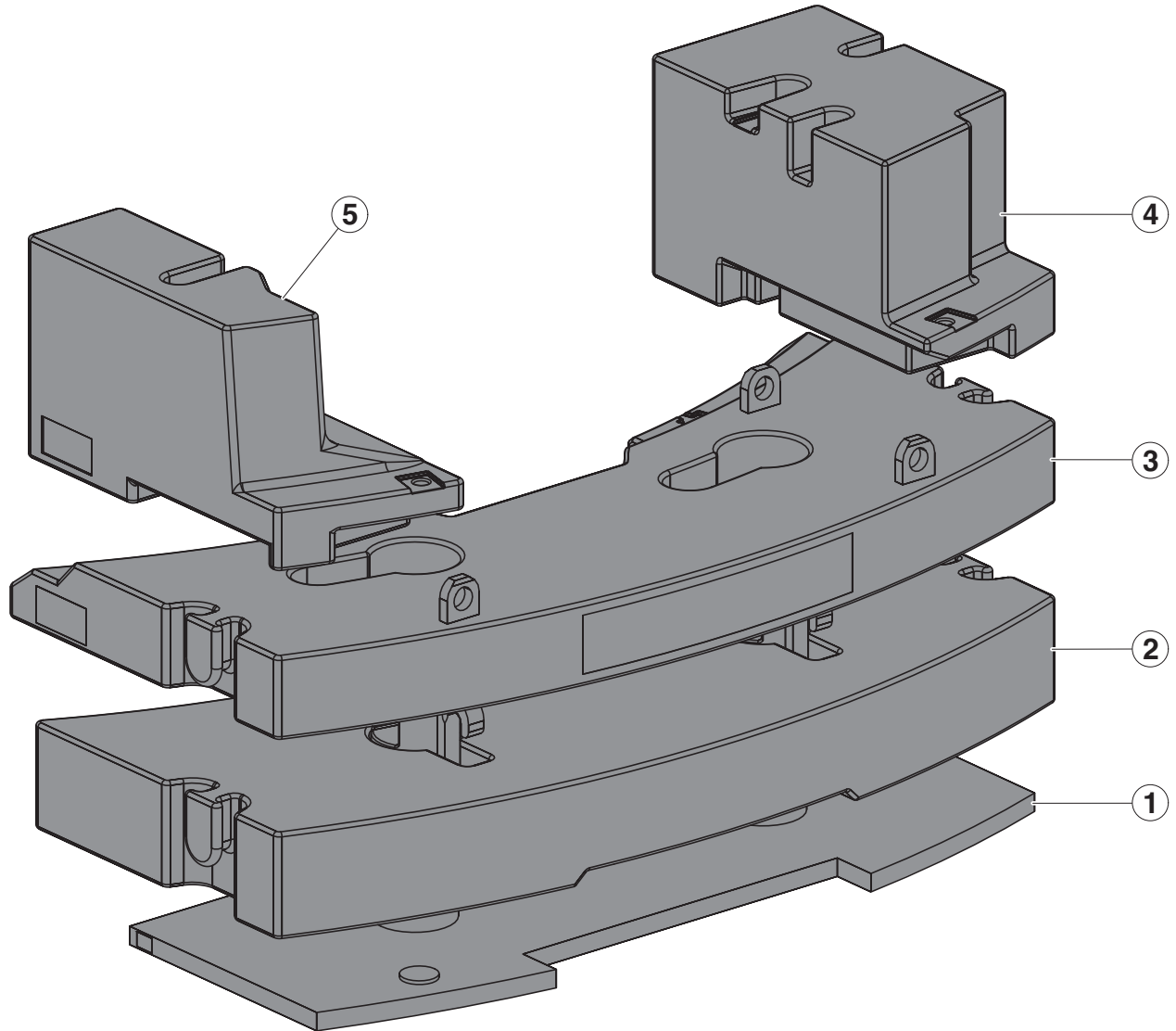
* must be activated

TECHNICAL DATA FOR TRANSPORT



Transportation

Counterweight

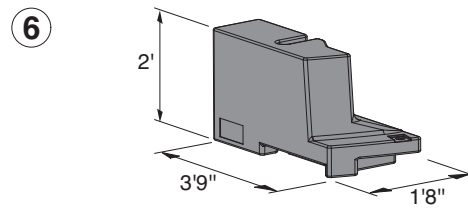
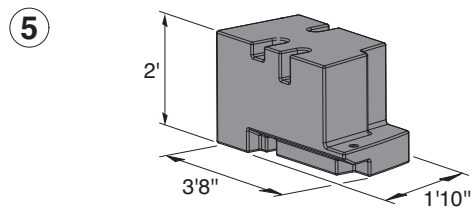
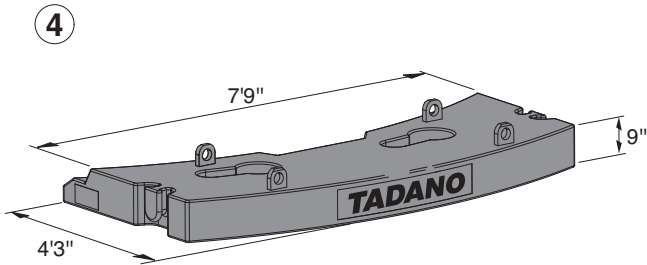
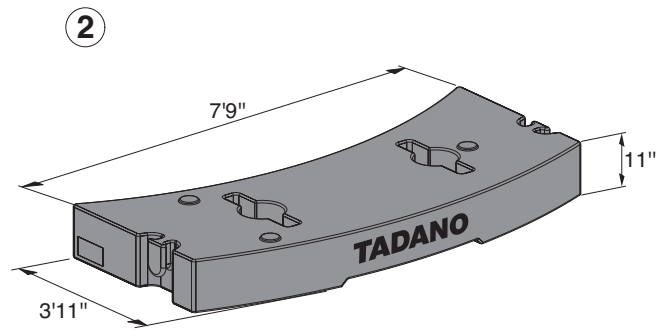
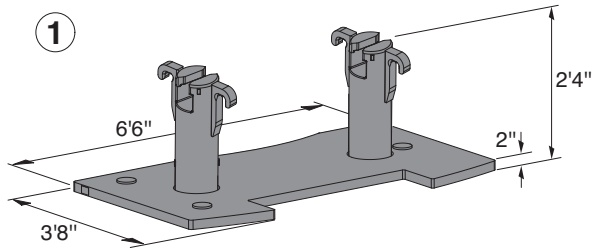


Configurations

	7,300 lbs	9,700 lbs	14,100 lbs	16,500 lbs	19,400 lbs	23,400 lbs	26,200 lbs
① 2,400 lbs		1		1	1	1	1
② 9,700 lbs				1	1	1	1
③ 6,800 lbs			1			1	1
④ 4,400 lbs	1	1	1	1	1	1	1
⑤ 2,900 lbs	1	1	1		1		1

Transportation

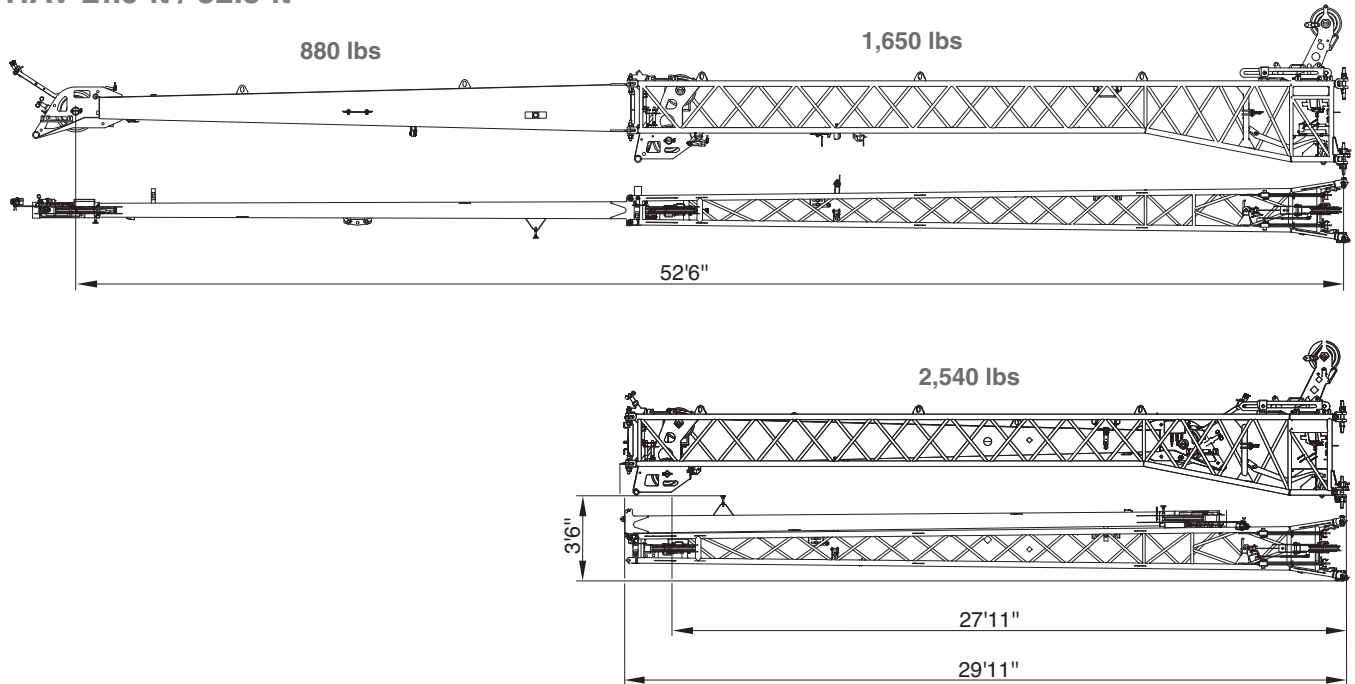
Counterweight



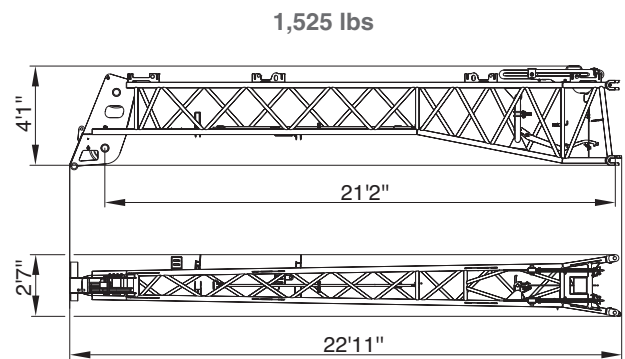
Transportation

Jib

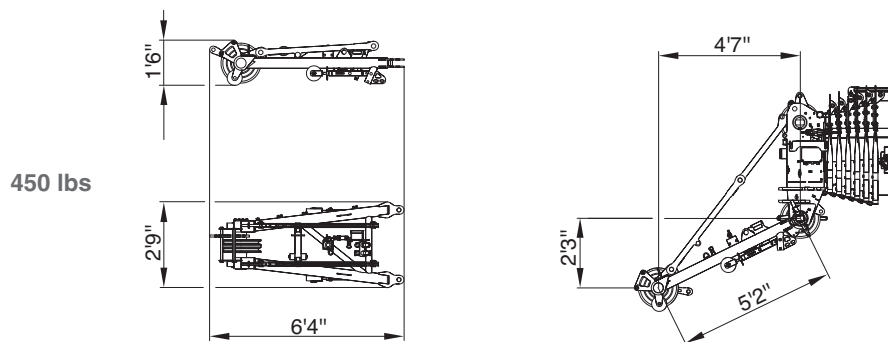
HAV 27.9 ft / 52.5 ft



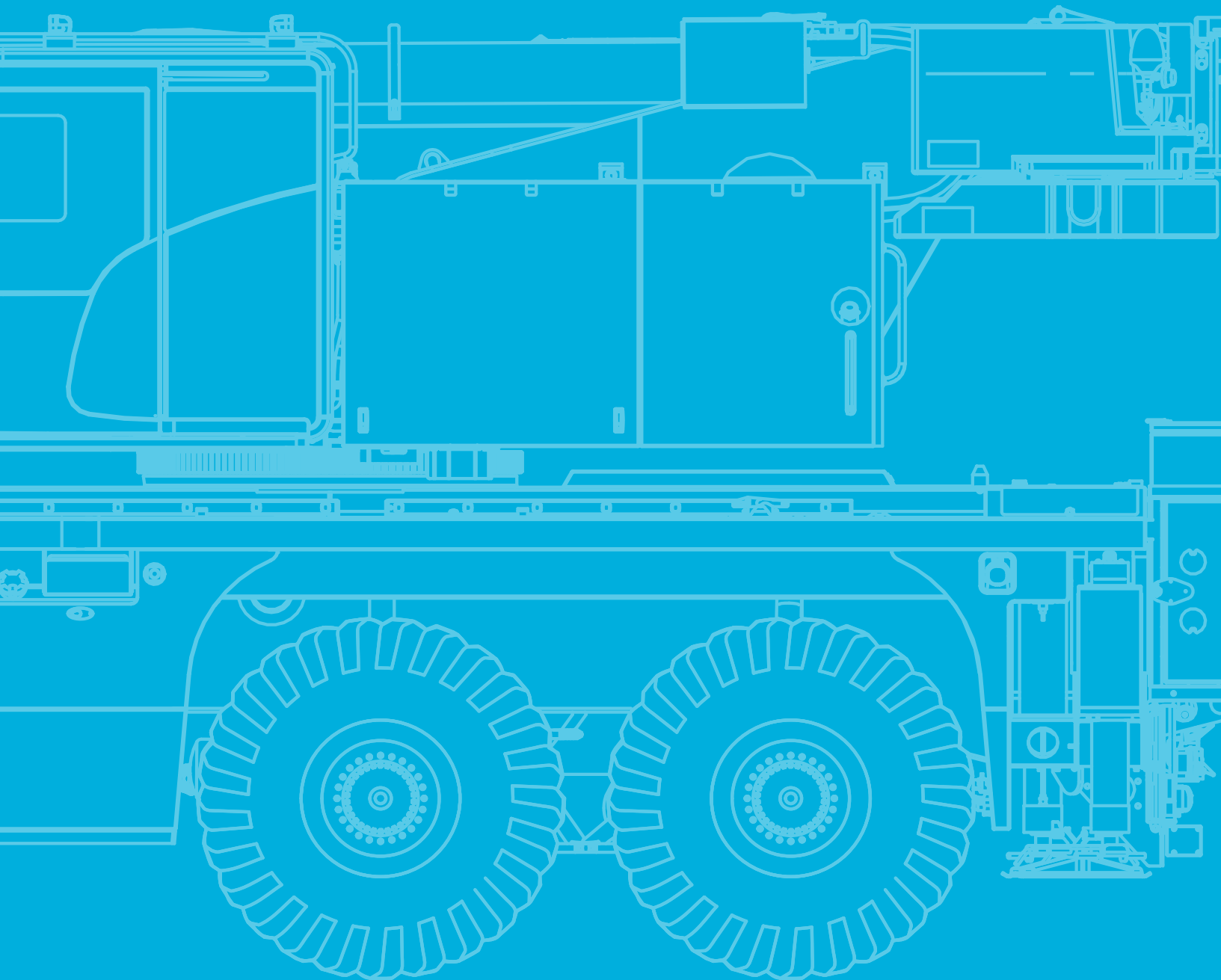
HAV 21.3 ft



MS



TECHNICAL DATA FOR OPERATION



Operation

Main boom



approx. 430 s (34.1 - 164.0 ft)



approx. 45 s (-4,5° - 82°)

Slewing



1,6 min⁻¹

Hoist



1

393.7 ft/min

15,040 lbf

0.72"

787 ft

2

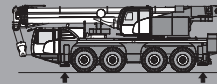
393.7 ft/min

15,040 lbf

0.72"

787 ft

Outrigger cylinders



86,000 lbs

110,200 lbs



28.7"

31.5"

Hook Blocks



17,600 lbs

14,900 lbs

–

1

380 lbs

3.3 ft

44,100 lbs

44,200 lbs

1

3

660 lbs

5.9 ft

110,200 lbs

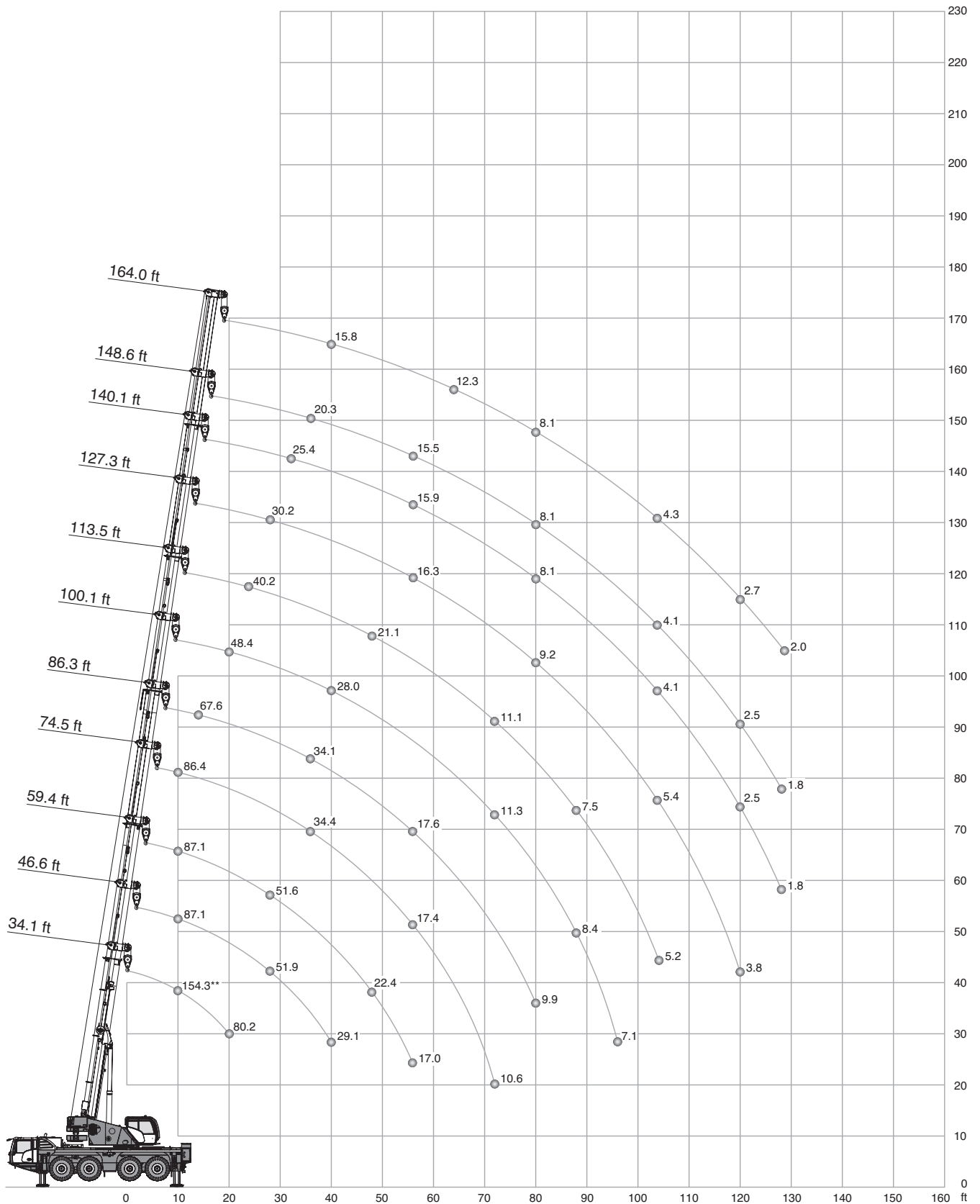
87,100 lbs

3

6

1,320 lbs

5.9 ft



** Max. crane capacity – with additional special equipment

Operation

HA

26,200 lbs		26.5 ft x 21.3 ft										360°		ASME B30.5		
		(ft)														
		34.1 *	34.1	45.3	46.6	59.4	74.5	86.3	100.1	113.5	127.3	140.1	148.6	164.0		
ft		1,000 lbs														ft
10	154.3 **	-	-	-	-	-	-	-	-	-	-	-	-	-	-	10
10	87.1	87.1	87.1	87.1	87.1	87.1	86.4	-	-	-	-	-	-	-	-	10
12	87.1	87.1	87.1	87.1	87.1	87.1	79.9	-	-	-	-	-	-	-	-	12
14	87.1	87.1	87.1	87.1	87.1	85.2	78.3	67.6	-	-	-	-	-	-	-	14
16	87.1	86.6	84.1	83.4	79.7	75.7	63.3	-	-	-	-	-	-	-	-	16
18	84.3	81.4	78.8	78.1	74.4	71.2	59.2	-	-	-	-	-	-	-	-	18
20	80.2	75.0	73.6	73.0	69.5	66.6	55.2	48.4	-	-	-	-	-	-	-	20
24	-	-	64.0	63.4	61.1	58.8	48.4	44.3	40.2	-	-	-	-	-	-	24
28	-	-	51.7	51.9	51.6	50.0	42.7	40.0	36.8	30.2	-	-	-	-	-	28
32	-	-	41.2	42.1	42.1	41.1	38.8	36.0	34.0	29.2	25.4	-	-	-	-	32
36	-	-	-	35.1	35.0	34.4	34.1	32.1	31.0	27.5	24.7	20.3	-	-	-	36
40	-	-	-	29.1	28.9	29.6	29.1	28.0	27.9	25.6	23.8	19.7	15.6	-	-	40
48	-	-	-	-	22.4	22.4	21.8	22.0	21.1	20.8	20.2	18.1	15.0	48	-	48
56	-	-	-	-	17.0	17.4	17.6	17.2	17.0	16.3	15.9	15.5	14.1	56	-	56
64	-	-	-	-	-	14.5	14.3	13.8	13.4	13.2	12.5	12.5	12.3	64	-	64
72	-	-	-	-	-	10.6	11.7	11.3	11.1	11.3	10.0	10.0	10.2	72	-	72
80	-	-	-	-	-	-	9.9	9.5	9.0	9.2	8.1	8.1	8.1	80	-	80
88	-	-	-	-	-	-	-	8.4	7.5	7.7	6.6	6.4	6.6	88	-	88
96	-	-	-	-	-	-	-	7.1	6.3	6.5	5.3	5.2	5.4	96	-	96
104	-	-	-	-	-	-	-	-	5.2	5.4	4.1	4.1	4.3	104	-	104
112	-	-	-	-	-	-	-	-	-	4.6	3.3	3.3	3.3	112	-	112
120	-	-	-	-	-	-	-	-	-	3.8	2.5	2.5	2.7	120	-	120
128	-	-	-	-	-	-	-	-	-	-	1.8	1.8	2.0	128	-	128
1)	36.8	36.8	27.3	25.4	17.6	13.7	10.1	7.5	4.6	3.5	1.8	-	-	1)	-	1)

1) Capacities with horizontal boom

* over rear

** Max. crane capacity – with additional special equipment

Operation

HA

23,400 lbs		26.5 ft x 21.3 ft		360° / Max.*								ASME B30.5			
		360°	Max.	360°	Max.	360°	Max.	360°	Max.	360°	Max.	360°	Max.		
ft		34.1ft	34.1ft	45.3ft	45.3ft	46.6ft	46.6ft	59.4ft	59.4ft	74.5ft	74.5ft	86.3ft	86.3ft	ft	
1,000 lbs															
10	87.1	87.1	87.1	87.1	87.1	87.1	87.1	87.1	87.1	86.4	86.4	-	-	10	
12	87.1	87.1	87.1	87.1	87.1	87.1	87.1	87.1	87.1	79.9	79.9	-	-	12	
14	87.1	87.1	87.1	87.1	87.1	87.1	87.1	85.2	85.2	78.3	78.3	67.6	67.6	14	
16	86.6	86.6	84.1	84.1	83.4	83.4	79.7	79.7	75.7	75.7	63.3	63.3	16		
18	81.4	81.4	78.8	78.8	78.1	78.1	74.4	74.4	71.2	71.2	59.2	59.2	18		
20	75.0	75.0	73.6	73.6	73.0	73.0	69.5	69.5	66.6	66.6	55.2	55.2	20		
24	-	-	63.2	64.0	62.6	63.4	60.3	61.1	57.9	58.8	48.4	48.4	24		
28	-	-	49.2	51.7	49.6	51.9	50.3	51.6	47.6	50.0	42.7	42.7	28		
32	-	-	39.3	41.2	40.0	42.1	40.0	42.1	39.1	41.1	38.6	38.8	32		
36	-	-	-	-	33.3	35.1	33.3	35.0	32.7	34.4	33.2	34.1	36		
40	-	-	-	-	27.6	29.1	27.6	28.9	28.3	29.6	27.6	29.1	40		
48	-	-	-	-	-	-	21.4	22.4	21.2	22.4	21.4	21.8	48		
56	-	-	-	-	-	-	16.0	17.0	16.7	17.4	16.8	17.6	56		
64	-	-	-	-	-	-	-	-	13.8	14.5	13.6	14.3	64		
72	-	-	-	-	-	-	-	-	10.4	10.6	11.1	11.7	72		
80	-	-	-	-	-	-	-	-	-	-	9.2	9.9	80		
1)	36.8	36.8	27.3	27.3	25.4	25.4	16.5	17.6	12.8	13.7	9.5	10.1	1)		

		360°	Max.	360°	Max.	360°	Max.	360°	Max.	360°	Max.	360°	Max.		
ft		100.1ft	100.1ft	113.5ft	113.5ft	127.3ft	127.3ft	140.1ft	140.1ft	148.6ft	148.6ft	164.0ft	164.0ft	ft	
1,000 lbs															
20	48.4	48.4	-	-	-	-	-	-	-	-	-	-	-	20	
24	44.3	44.3	40.2	40.2	-	-	-	-	-	-	-	-	-	24	
28	40.0	40.0	36.8	36.8	30.2	30.2	-	-	-	-	-	-	-	28	
32	35.7	36.0	34.0	34.0	29.2	29.2	25.4	25.4	-	-	-	-	-	32	
36	31.1	32.1	30.4	31.0	26.9	27.5	24.7	24.7	20.3	20.3	-	-	-	36	
40	27.4	28.0	26.6	27.9	24.4	25.6	23.7	23.8	19.7	19.7	15.6	15.6	40		
48	20.9	22.0	20.1	21.1	19.7	20.8	19.2	20.2	17.8	18.1	15.0	15.0	48		
56	16.2	17.2	16.0	17.0	15.3	16.3	15.1	15.9	14.7	15.5	14.0	14.1	56		
64	12.9	13.8	12.7	13.4	12.7	13.2	11.8	12.5	11.6	12.5	11.6	12.3	64		
72	10.8	11.3	10.4	11.1	10.6	11.3	9.3	10.0	9.3	10.0	9.3	10.2	72		
80	9.2	9.5	8.6	9.0	8.8	9.2	7.5	8.1	7.5	8.1	7.5	8.1	80		
88	7.8	8.4	7.0	7.5	7.3	7.7	5.9	6.6	5.9	6.4	5.9	6.6	88		
96	6.7	7.1	5.8	6.3	5.9	6.5	4.7	5.3	4.6	5.2	4.7	5.4	96		
104	-	-	4.8	5.2	4.9	5.4	3.7	4.1	3.6	4.1	3.8	4.3	104		
112	-	-	-	-	4.1	4.6	2.8	3.3	2.8	3.3	3.0	3.3	112		
120	-	-	-	-	3.3	3.8	2.2	2.5	2.1	2.5	2.2	2.7	120		
128	-	-	-	-	-	-	-	2.0	-	1.8	-	2.0	128		
1)	7.1	7.5	4.2	4.6	3.3	3.5	-	1.8	-	-	-	-	1)		

1) Capacities with horizontal boom

* Max. values are valid only for specific superstructure positions

Operation

9,700 lbs		26.5 ft x 21.3 ft				360° / Max.*				ASME B30.5					
		360°	Max.	360°	Max.	360°	Max.	360°	Max.	360°	Max.	360°	Max.		
ft		34.1ft	34.1ft	45.3ft	45.3ft	46.6ft	46.6ft	59.4ft	59.4ft	74.5ft	74.5ft	86.3ft	86.3ft	ft	
1,000 lbs															
10	87.1	87.1	87.1	87.1	87.1	87.1	87.1	87.1	87.1	86.4	86.4	-	-	10	
12	87.1	87.1	87.1	87.1	87.1	87.1	87.1	87.1	87.1	79.9	79.9	-	-	12	
14	87.1	87.1	87.1	87.1	87.1	87.1	87.1	85.2	85.2	78.3	78.3	67.6	67.6	14	
16	86.6	86.6	84.1	84.1	83.4	83.4	79.7	79.7	75.7	75.7	63.3	63.3	16		
18	79.8	80.8	77.5	78.7	76.2	78.1	71.2	74.4	66.9	71.2	58.3	59.2	18		
20	70.7	73.8	69.9	73.3	68.2	72.6	62.5	69.4	57.3	66.6	53.0	55.2	20		
24	-	-	50.6	61.1	50.6	61.3	48.1	60.2	44.5	58.8	43.6	48.4	24		
28	-	-	37.4	50.4	38.3	50.7	37.9	51.6	37.6	50.0	35.3	42.7	28		
32	-	-	29.2	41.2	30.1	42.1	30.4	42.1	30.7	41.1	29.9	38.8	32		
36	-	-	-	-	25.1	35.1	25.6	35.0	25.5	34.4	25.6	34.1	36		
40	-	-	-	-	20.3	29.1	21.1	28.9	21.4	29.6	21.1	29.1	40		
48	-	-	-	-	-	-	15.5	22.4	15.9	22.4	15.6	21.8	48		
56	-	-	-	-	-	-	11.3	17.0	12.6	17.4	11.9	17.6	56		
64	-	-	-	-	-	-	-	-	10.0	14.5	9.5	14.3	64		
72	-	-	-	-	-	-	-	-	8.0	10.6	7.5	11.7	72		
80	-	-	-	-	-	-	-	-	-	-	6.0	9.9	80		
1)	36.8	36.8	22.5	27.3	19.8	25.4	14.1	17.6	9.0	13.7	6.4	10.1	1)		




		360°	Max.	360°	Max.	360°	Max.	360°	Max.	360°	Max.	360°	Max.		
ft		100.1ft	100.1ft	113.5ft	113.5ft	127.3ft	127.3ft	140.1ft	140.1ft	148.6ft	148.6ft	164.0ft	164.0ft	ft	
1,000 lbs															
20	47.9	48.4	38.9	38.9	-	-	-	-	-	-	-	-	-	20	
24	39.9	44.3	37.2	40.2	-	-	-	-	-	-	-	-	-	24	
28	34.1	40.0	31.5	36.8	28.3	30.2	-	-	-	-	-	-	-	28	
32	28.8	36.0	26.9	34.0	24.7	29.2	23.6	25.4	-	-	-	-	-	32	
36	24.6	32.1	23.2	31.0	21.3	27.5	20.5	24.7	19.0	20.3	-	-	-	36	
40	20.7	28.0	19.9	27.9	19.3	25.6	17.5	23.8	16.8	19.7	15.4	15.6	40		
48	15.5	22.0	14.8	21.1	14.8	20.8	13.2	20.2	12.6	18.1	12.5	15.0	48		
56	12.3	17.2	11.3	17.0	11.5	16.3	10.1	15.9	9.5	15.5	9.4	14.1	56		
64	9.7	13.8	8.6	13.4	8.9	13.2	7.5	12.5	7.0	12.5	7.0	12.3	64		
72	7.8	11.3	6.7	11.1	6.9	11.3	5.6	10.0	5.3	10.0	5.3	10.2	72		
80	6.2	9.5	5.1	9.0	5.3	9.2	4.2	8.1	4.0	8.1	4.0	8.1	80		
88	5.1	8.4	4.0	7.5	4.3	7.7	2.9	6.6	2.8	6.4	2.9	6.6	88		
96	4.1	7.1	3.1	6.3	3.3	6.5	2.0	5.3	2.0	5.2	2.0	5.4	96		
104	-	-	2.3	5.2	2.5	5.4	-	4.1	-	4.1	-	4.3	104		
112	-	-	-	-	-	4.6	-	3.3	-	3.3	-	3.3	112		
120	-	-	-	-	-	3.8	-	2.5	-	2.5	-	2.7	120		
128	-	-	-	-	-	-	-	2.0	-	1.8	-	2.0	128		
1)	4.2	7.5	2.0	4.6	-	3.5	-	1.8	-	-	-	-	1)		



1) Capacities with horizontal boom

* Max. values are valid only for specific superstructure positions

Operation

HA

6,800 lbs		 26.5 ft x 21.3 ft		360° / Max.*								ASME B30.5		
	360° 34.1ft	Max. 34.1ft	360° 45.3ft	Max. 45.3ft	360° 46.6ft	Max. 46.6ft	360° 59.4ft	Max. 59.4ft	360° 74.5ft	Max. 74.5ft	360° 86.3ft	Max. 86.3ft		
ft	1,000 lbs												ft	
10	87.1	87.1	87.1	87.1	87.1	87.1	87.1	87.1	86.4	86.4	-	-	10	
12	87.1	87.1	87.1	87.1	87.1	87.1	87.1	87.1	79.9	79.9	-	-	12	
14	87.1	87.1	87.1	87.1	87.1	87.1	87.1	85.2	85.2	78.3	78.3	67.6	67.6	14
16	86.6	86.6	84.1	84.1	83.4	83.4	79.7	79.7	72.8	75.7	63.3	63.3	16	
18	77.4	80.3	75.4	78.7	74.1	78.1	69.3	74.4	63.2	71.2	56.6	59.2	18	
20	66.0	72.7	65.6	73.2	63.9	72.6	58.8	69.3	53.6	66.6	50.6	55.2	20	
24	-	-	47.4	60.2	47.5	60.4	45.0	59.3	42.5	58.8	40.8	48.4	24	
28	-	-	35.0	50.0	35.9	50.7	35.5	51.3	35.5	50.0	33.1	42.7	28	
32	-	-	27.1	41.2	28.5	42.1	28.9	42.1	28.7	41.1	28.5	38.8	32	
36	-	-	-	-	23.5	35.1	23.9	35.0	23.7	34.4	24.0	34.1	36	
40	-	-	-	-	19.0	29.1	19.6	28.9	19.8	29.6	19.8	29.1	40	
48	-	-	-	-	-	-	14.5	22.4	14.8	22.4	14.5	21.8	48	
56	-	-	-	-	-	-	10.3	17.0	11.6	17.4	11.0	17.6	56	
64	-	-	-	-	-	-	-	-	9.3	14.5	8.6	14.3	64	
72	-	-	-	-	-	-	-	-	7.3	10.6	6.9	11.7	72	
80	-	-	-	-	-	-	-	-	-	-	5.3	9.9	80	
1)	36.8	36.8	20.9	27.3	18.3	25.4	13.0	17.6	8.4	13.7	5.7	10.1	1)	

	360° 100.1ft	Max. 100.1ft	360° 113.5ft	Max. 113.5ft	360° 127.3ft	Max. 127.3ft	360° 140.1ft	Max. 140.1ft	360° 148.6ft	Max. 148.6ft	360° 164.0ft	Max. 164.0ft	
ft	1,000 lbs												ft
18	47.8	47.8	-	-	-	-	-	-	-	-	-	-	18
20	45.8	48.4	38.9	38.9	-	-	-	-	-	-	-	-	20
24	38.5	44.3	36.0	40.2	-	-	-	-	-	-	-	-	24
28	32.3	40.0	29.9	36.8	26.8	30.2	-	-	-	-	-	-	28
32	27.0	36.0	25.1	34.0	23.3	29.2	22.0	25.4	-	-	-	-	32
36	22.9	32.1	21.6	31.0	20.6	27.5	18.8	24.7	18.1	20.3	-	-	36
40	19.2	28.0	18.4	27.9	17.7	25.6	16.0	23.8	15.3	19.7	15.1	15.6	40
48	14.5	22.0	13.7	21.1	13.6	20.8	12.0	20.2	11.3	18.1	11.3	15.0	48
56	11.3	17.2	10.3	17.0	10.5	16.3	9.0	15.9	8.4	15.5	8.3	14.1	56
64	8.8	13.8	7.8	13.4	8.0	13.2	6.6	12.5	6.2	12.5	6.1	12.3	64
72	7.1	11.3	6.0	11.1	6.2	11.3	4.9	10.0	4.4	10.0	4.4	10.2	72
80	5.6	9.5	4.5	9.0	4.7	9.2	3.5	8.1	3.1	8.1	3.2	8.1	80
88	4.5	8.4	3.4	7.5	3.6	7.7	2.4	6.6	2.2	6.4	2.3	6.6	88
96	3.6	7.1	2.4	6.3	2.7	6.5	-	5.3	-	5.2	-	5.4	96
104	-	-	1.8	5.2	2.1	5.4	-	4.1	-	4.1	-	4.3	104
112	-	-	-	-	-	4.6	-	3.3	-	3.3	-	3.3	112
120	-	-	-	-	-	3.8	-	2.5	-	2.5	-	2.7	120
128	-	-	-	-	-	-	-	2.0	-	1.8	-	2.0	128
1)	3.7	7.5	1.5	4.6	-	3.5	-	1.8	-	-	-	-	1)

1) Capacities with horizontal boom

* Max. values are valid only for specific superstructure positions

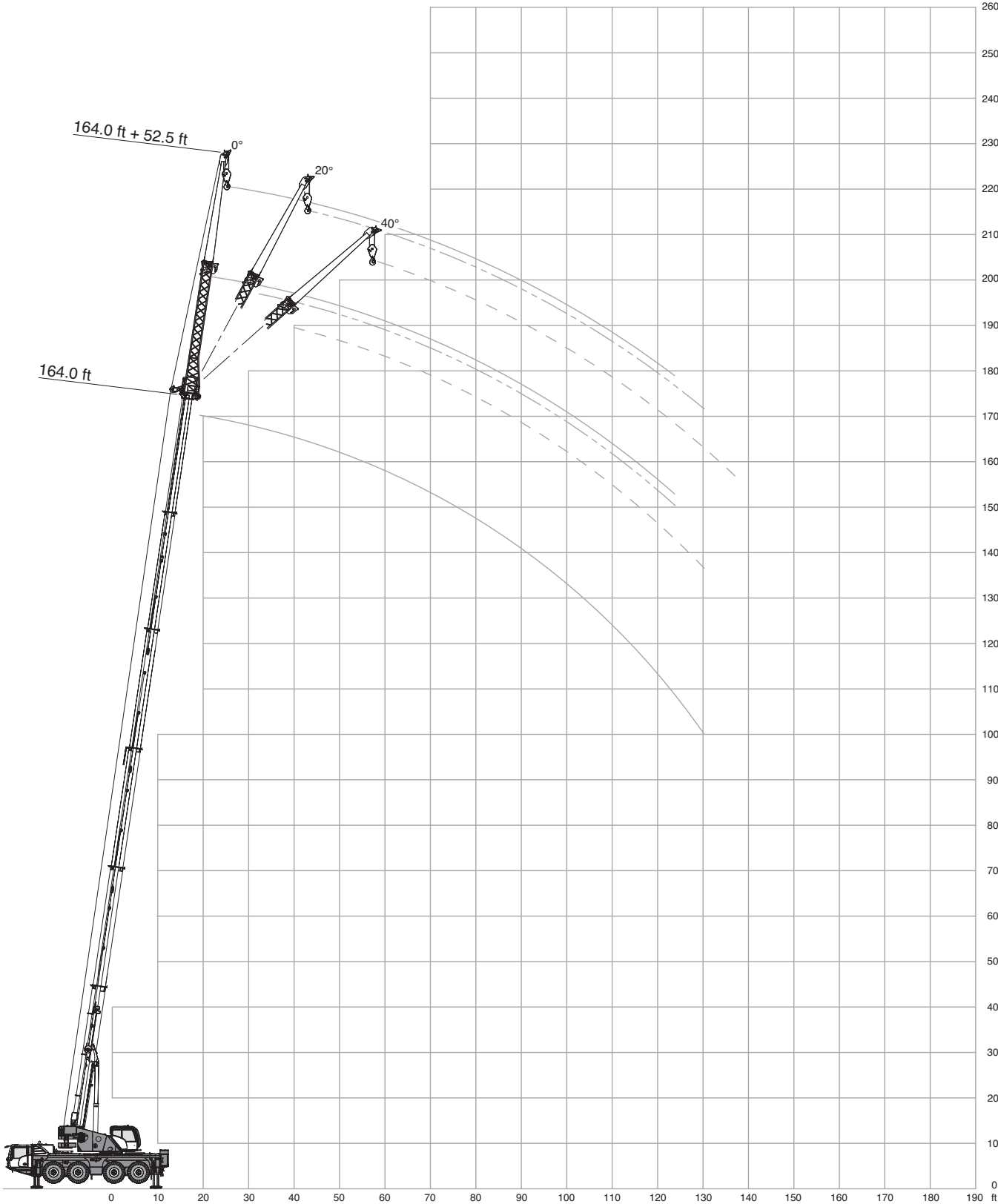
Operation

2,900 lbs		26.5 ft x 21.3 ft				360° / Max.*				ASME B30.5					
		360°	Max.	360°	Max.	360°	Max.	360°	Max.	360°	Max.	360°	Max.		
ft		34.1ft	34.1ft	45.3ft	45.3ft	46.6ft	46.6ft	59.4ft	59.4ft	74.5ft	74.5ft	86.3ft	86.3ft	ft	
1,000 lbs															
10	87.1	87.1	87.1	87.1	87.1	87.1	87.1	87.1	87.1	86.4	86.4	-	-	10	
12	87.1	87.1	87.1	87.1	87.1	87.1	87.1	87.1	87.1	79.9	79.9	-	-	12	
14	87.1	87.1	87.1	87.1	87.1	87.1	87.1	85.2	85.2	77.3	78.3	67.6	67.6	14	
16	86.6	86.6	84.1	84.1	83.3	83.4	75.4	79.7	79.7	67.5	75.7	61.1	63.3	16	
18	74.1	79.5	72.3	78.3	71.0	77.6	63.5	74.4	74.4	57.4	71.2	52.7	59.2	18	
20	59.3	71.0	59.3	72.3	57.8	71.6	53.4	69.2	69.2	48.7	66.6	47.4	55.2	20	
24	-	-	42.7	58.8	43.0	59.0	40.8	58.5	58.5	40.0	58.5	36.9	48.4	24	
28	-	-	31.4	49.3	32.3	50.3	33.1	50.1	50.1	32.1	49.6	31.2	42.7	28	
32	-	-	24.3	41.0	25.5	41.9	26.0	41.8	41.8	26.1	41.1	25.9	38.8	32	
36	-	-	-	-	21.0	35.1	21.4	35.0	35.0	21.8	34.4	21.6	34.1	36	
40	-	-	-	-	16.8	29.1	17.7	28.9	28.9	17.9	29.6	17.7	29.1	40	
48	-	-	-	-	-	-	12.8	22.4	22.4	13.4	22.4	12.8	21.8	48	
56	-	-	-	-	-	-	9.0	17.0	17.0	10.3	17.4	9.7	17.6	56	
64	-	-	-	-	-	-	-	-	-	8.1	14.5	7.5	14.3	64	
72	-	-	-	-	-	-	-	-	-	6.2	10.6	5.8	11.7	72	
80	-	-	-	-	-	-	-	-	-	-	-	4.5	9.9	80	
1)	33.7	36.8	18.5	27.3	16.1	25.4	11.5	17.6	7.1	13.7	4.6	10.1	1)		

		360°	Max.	360°	Max.	360°	Max.	360°	Max.	360°	Max.	360°	Max.		
ft		100.1ft	100.1ft	113.5ft	113.5ft	127.3ft	127.3ft	140.1ft	140.1ft	148.6ft	148.6ft	164.0ft	164.0ft	ft	
1,000 lbs															
18	47.4	47.8	-	-	-	-	-	-	-	-	-	-	-	18	
20	43.9	48.4	38.6	38.9	-	-	-	-	-	-	-	-	-	20	
24	36.0	44.3	32.9	40.2	-	-	-	-	-	-	-	-	-	24	
28	29.2	40.0	26.9	36.8	24.7	30.2	-	-	-	-	-	-	-	28	
32	24.2	36.0	22.4	34.0	21.7	29.2	19.5	25.4	-	-	-	-	-	32	
36	20.5	32.1	19.1	31.0	18.6	27.5	16.5	24.7	15.7	20.3	-	-	-	36	
40	17.7	28.0	16.2	27.9	15.8	25.6	13.8	23.8	13.2	19.7	13.1	15.6	-	40	
48	13.1	22.0	12.1	21.1	11.9	20.8	10.2	20.2	9.6	18.1	9.4	15.0	-	48	
56	10.0	17.2	9.0	17.0	8.9	16.3	7.3	15.9	6.9	15.5	6.7	14.1	-	56	
64	7.7	13.8	6.6	13.4	6.8	13.2	5.2	12.5	4.8	12.5	4.7	12.3	-	64	
72	6.0	11.3	4.9	11.1	5.1	11.3	3.8	10.0	3.3	10.0	3.3	10.2	-	72	
80	4.7	9.5	3.6	9.0	3.8	9.2	2.5	8.1	2.3	8.1	2.3	8.1	-	80	
88	3.6	8.4	2.6	7.5	2.8	7.7	-	6.6	-	6.4	-	6.6	-	88	
96	2.8	7.1	1.8	6.3	2.0	6.5	-	5.3	-	5.2	-	5.4	-	96	
104	-	-	-	5.2	-	5.4	-	4.1	-	4.1	-	4.3	-	104	
112	-	-	-	-	-	4.6	-	3.3	-	3.3	-	3.3	-	112	
120	-	-	-	-	-	3.8	-	2.5	-	2.5	-	2.7	-	120	
128	-	-	-	-	-	-	-	2.0	-	1.8	-	2.0	-	128	
1)	2.9	7.5	-	4.6	-	3.5	-	1.8	-	-	-	-	-	1)	

1) Capacities with horizontal boom

* Max. values are valid only for specific superstructure positions



Operation

HAV

26,200 lbs		26.5 ft x 21.3 ft			27.9 ft			360°			ASME B30.5		
ft	34.1 ft			86.3 ft			140.1 ft			164.0 ft			ft
	0°	20°	40°	0°	20°	40°	0°	20°	40°	0°	20°	40°	
1,000 lbs													
10	29.5	-	-	-	-	-	-	-	-	-	-	-	10
12	29.5	-	-	-	-	-	-	-	-	-	-	-	12
14	29.5	-	-	-	-	-	-	-	-	-	-	-	14
16	29.5	22.0	-	-	-	-	-	-	-	-	-	-	16
18	28.1	21.1	-	29.5	-	-	-	-	-	-	-	-	18
20	26.5	20.2	-	29.5	-	-	-	-	-	-	-	-	20
24	23.8	18.8	16.0	29.5	-	-	-	-	-	-	-	-	24
28	21.7	17.6	15.4	29.2	20.6	-	-	-	-	-	-	-	28
32	19.6	16.7	14.9	27.7	19.8	-	-	-	-	-	-	-	32
36	17.9	15.9	14.4	26.1	19.1	15.6	-	-	-	-	-	-	36
40	16.3	15.1	14.1	24.4	18.4	15.2	14.8	-	-	-	-	-	40
48	13.5	-	-	21.0	17.4	14.7	14.8	-	-	9.7	-	-	48
56	-	-	-	16.8	16.2	14.4	14.3	14.5	-	9.6	-	-	56
64	-	-	-	13.8	14.0	14.0	12.2	13.2	12.7	9.1	9.3	-	64
72	-	-	-	11.5	11.7	12.0	9.8	10.6	11.3	8.8	8.8	9.1	72
80	-	-	-	9.8	10.1	10.1	7.9	8.6	9.2	7.2	8.1	8.2	80
88	-	-	-	8.6	8.7	8.5	6.3	7.0	7.4	5.8	6.5	7.0	88
96	-	-	-	7.2	7.5	7.5	5.0	5.5	5.9	4.7	5.2	5.7	96
104	-	-	-	6.1	6.1	-	3.9	4.3	4.8	3.7	4.1	4.5	104
112	-	-	-	-	-	-	3.0	3.5	3.7	2.8	3.3	3.7	112
120	-	-	-	-	-	-	2.2	2.7	2.7	2.1	2.5	2.7	120
128	-	-	-	-	-	-	-	1.9	2.0	-	-	2.0	128

23,400 lbs		26.5 ft x 21.3 ft			27.9 ft			360°			ASME B30.5		
ft	34.1 ft			86.3 ft			140.1 ft			164.0 ft			ft
	0°	20°	40°	0°	20°	40°	0°	20°	40°	0°	20°	40°	
1,000 lbs													
10	29.5	-	-	-	-	-	-	-	-	-	-	-	10
12	29.5	-	-	-	-	-	-	-	-	-	-	-	12
14	29.5	-	-	-	-	-	-	-	-	-	-	-	14
16	29.5	22.0	-	-	-	-	-	-	-	-	-	-	16
18	28.1	21.1	-	29.5	-	-	-	-	-	-	-	-	18
20	26.5	20.2	-	29.5	-	-	-	-	-	-	-	-	20
24	23.8	18.8	16.0	29.5	-	-	-	-	-	-	-	-	24
28	21.7	17.6	15.4	29.2	20.6	-	-	-	-	-	-	-	28
32	19.6	16.7	14.9	27.7	19.8	-	-	-	-	-	-	-	32
36	17.9	15.9	14.4	26.1	19.1	15.6	-	-	-	-	-	-	36
40	16.3	15.1	14.1	24.3	18.4	15.2	14.8	-	-	-	-	-	40
48	13.5	-	-	20.4	17.4	14.7	14.8	-	-	9.7	-	-	48
56	-	-	-	16.1	15.8	14.4	13.8	14.4	-	9.6	-	-	56
64	-	-	-	13.2	13.4	13.5	11.3	12.4	12.7	9.1	9.3	-	64
72	-	-	-	10.9	11.3	11.3	9.1	10.0	10.6	8.2	8.8	9.1	72
80	-	-	-	9.4	9.5	9.7	7.2	7.9	8.5	6.6	7.3	8.1	80
88	-	-	-	7.9	8.1	8.3	5.7	6.4	6.8	5.1	5.9	6.4	88
96	-	-	-	6.7	6.9	6.8	4.5	5.0	5.5	4.1	4.7	5.2	96
104	-	-	-	5.6	5.6	-	3.4	3.9	4.3	3.2	3.7	4.1	104
112	-	-	-	-	-	-	2.6	3.0	3.3	2.4	2.8	3.3	112
120	-	-	-	-	-	-	-	2.2	2.5	-	2.1	2.5	120

Operation

HAV

9,700 lbs		26.5 ft x 21.3 ft			27.9 ft			360°			ASME B30.5		
ft	34.1 ft			86.3 ft			140.1 ft			164.0 ft			ft
	0°	20°	40°	0°	20°	40°	0°	20°	40°	0°	20°	40°	
1,000 lbs													
10	29.5	-	-	-	-	-	-	-	-	-	-	-	10
12	29.5	-	-	-	-	-	-	-	-	-	-	-	12
14	29.5	-	-	-	-	-	-	-	-	-	-	-	14
16	29.5	22.0	-	-	-	-	-	-	-	-	-	-	16
18	28.1	21.1	-	29.5	-	-	-	-	-	-	-	-	18
20	26.5	20.2	-	29.5	-	-	-	-	-	-	-	-	20
24	23.8	18.8	16.0	29.5	-	-	-	-	-	-	-	-	24
28	21.7	17.6	15.4	29.1	20.6	-	-	-	-	-	-	-	28
32	19.6	16.7	14.9	26.2	19.8	-	-	-	-	-	-	-	32
36	17.9	15.9	14.4	23.1	19.1	15.6	-	-	-	-	-	-	36
40	16.3	15.1	14.1	20.3	18.3	15.2	14.6	-	-	-	-	-	40
48	13.5	-	-	15.7	16.1	14.6	12.2	-	-	9.6	-	-	48
56	-	-	-	12.4	12.8	13.2	9.2	10.4	-	8.1	-	-	56
64	-	-	-	9.7	10.2	10.6	6.8	7.8	8.7	5.9	6.9	-	64
72	-	-	-	7.8	8.2	8.6	4.9	5.8	6.7	4.2	5.1	6.0	72
80	-	-	-	6.2	6.6	6.8	3.6	4.4	5.1	2.9	3.8	4.4	80
88	-	-	-	4.9	5.4	5.4	2.6	3.2	3.8	-	2.6	3.2	88
96	-	-	-	4.0	4.3	4.3	-	2.2	2.8	-	-	2.2	96
104	-	-	-	3.2	3.2	-	-	-	1.9	-	-	-	104

6,800 lbs		26.5 ft x 21.3 ft			27.9 ft			360°			ASME B30.5		
ft	34.1 ft			86.3 ft			140.1 ft			164.0 ft			ft
	0°	20°	40°	0°	20°	40°	0°	20°	40°	0°	20°	40°	
1,000 lbs													
10	29.5	-	-	-	-	-	-	-	-	-	-	-	10
12	29.5	-	-	-	-	-	-	-	-	-	-	-	12
14	29.5	-	-	-	-	-	-	-	-	-	-	-	14
16	29.5	22.0	-	-	-	-	-	-	-	-	-	-	16
18	28.1	21.1	-	29.5	-	-	-	-	-	-	-	-	18
20	26.5	20.2	-	29.5	-	-	-	-	-	-	-	-	20
24	23.8	18.8	16.0	29.5	-	-	-	-	-	-	-	-	24
28	21.7	17.6	15.4	28.2	20.6	-	-	-	-	-	-	-	28
32	19.6	16.7	14.9	25.0	19.8	-	-	-	-	-	-	-	32
36	17.9	15.9	14.4	21.8	19.1	15.6	-	-	-	-	-	-	36
40	16.3	15.1	14.1	19.4	18.2	15.2	14.5	-	-	-	-	-	40
48	13.5	-	-	15.1	15.5	14.5	10.9	-	-	9.2	-	-	48
56	-	-	-	11.5	12.2	12.5	8.1	9.3	-	7.1	-	-	56
64	-	-	-	8.9	9.5	10.0	5.9	6.8	7.8	5.0	5.9	-	64
72	-	-	-	7.1	7.5	7.8	4.2	5.1	5.8	3.3	4.2	5.1	72
80	-	-	-	5.6	6.0	6.2	2.9	3.6	4.2	2.3	2.9	3.8	80
88	-	-	-	4.5	4.7	4.8	-	2.6	3.2	-	-	2.5	88
96	-	-	-	3.6	3.8	3.6	-	-	2.1	-	-	-	96
104	-	-	-	2.7	2.7	-	-	-	-	-	-	-	104

Operation

HAV

2,900 lbs		26.5 ft x 21.3 ft			27.9 ft			360°			ASME B30.5			
		34.1 ft			86.3 ft			140.1 ft			164.0 ft			
		0°	20°	40°	0°	20°	40°	0°	20°	40°	0°	20°	40°	
ft	1,000 lbs												ft	
10	29.5	-	-	-	-	-	-	-	-	-	-	-	-	10
12	29.5	-	-	-	-	-	-	-	-	-	-	-	-	12
14	29.5	-	-	-	-	-	-	-	-	-	-	-	-	14
16	29.5	22.0	-	-	-	-	-	-	-	-	-	-	-	16
18	28.1	21.1	-	-	29.5	-	-	-	-	-	-	-	-	18
20	26.5	20.2	-	-	29.5	-	-	-	-	-	-	-	-	20
24	23.8	18.8	16.0	-	29.3	-	-	-	-	-	-	-	-	24
28	21.7	17.6	15.4	-	26.8	20.6	-	-	-	-	-	-	-	28
32	19.6	16.7	14.9	-	23.5	19.8	-	-	-	-	-	-	-	32
36	17.9	15.9	14.4	-	20.4	18.8	15.6	-	-	-	-	-	-	36
40	16.3	15.1	14.1	-	17.9	17.7	15.2	12.7	-	-	-	-	-	40
48	13.2	-	-	-	13.4	14.2	14.0	9.2	-	-	8.1	-	-	48
56	-	-	-	-	10.1	10.8	11.3	6.4	7.8	-	5.5	-	-	56
64	-	-	-	-	7.7	8.4	8.8	4.5	5.5	6.4	3.6	4.7	-	64
72	-	-	-	-	6.0	6.4	6.9	2.9	3.8	4.7	2.2	3.1	4.0	72
80	-	-	-	-	4.7	5.1	5.3	-	2.7	3.3	-	-	2.7	80
88	-	-	-	-	3.6	3.8	4.0	-	-	2.2	-	-	-	88
96	-	-	-	-	2.7	2.9	2.9	-	-	-	-	-	-	96
104	-	-	-	-	2.1	2.1	-	-	-	-	-	-	-	104

0 lbs		26.5 ft x 21.3 ft			27.9 ft			360°			ASME B30.5			
		34.1 ft			86.3 ft			140.1 ft			164.0 ft			
		0°	20°	40°	0°	20°	40°	0°	20°	40°	0°	20°	40°	
ft	1,000 lbs												ft	
10	29.5	-	-	-	-	-	-	-	-	-	-	-	-	10
12	29.5	-	-	-	-	-	-	-	-	-	-	-	-	12
14	29.5	-	-	-	-	-	-	-	-	-	-	-	-	14
16	29.5	22.0	-	-	-	-	-	-	-	-	-	-	-	16
18	28.1	21.1	-	-	29.5	-	-	-	-	-	-	-	-	18
20	26.5	20.2	-	-	29.5	-	-	-	-	-	-	-	-	20
24	23.8	18.8	16.0	-	28.7	-	-	-	-	-	-	-	-	24
28	21.7	17.6	15.4	-	25.5	20.6	-	-	-	-	-	-	-	28
32	19.6	16.7	14.9	-	22.0	19.8	-	-	-	-	-	-	-	32
36	17.9	15.9	14.4	-	19.2	18.3	15.6	-	-	-	-	-	-	36
40	16.2	15.0	14.1	-	16.4	17.3	15.1	11.4	-	-	-	-	-	40
48	12.1	-	-	-	12.1	13.1	13.5	8.1	-	-	6.8	-	-	48
56	-	-	-	-	9.1	9.8	10.4	5.5	6.7	-	4.5	-	-	56
64	-	-	-	-	7.0	7.5	7.9	3.6	4.6	5.5	2.8	3.9	-	64
72	-	-	-	-	5.3	5.8	6.2	2.2	3.1	3.8	-	2.2	3.1	72
80	-	-	-	-	4.0	4.5	4.6	-	-	2.5	-	-	-	80
88	-	-	-	-	3.0	3.4	3.4	-	-	-	-	-	-	88
96	-	-	-	-	2.2	2.4	2.4	-	-	-	-	-	-	96

Operation

HAV

26,200 lbs		26.5 ft x 21.3 ft			52.5 ft			360°			ASME B30.5			
		34.1 ft			86.3 ft			140.1 ft			164.0 ft			
		0°	20°	40°	0°	20°	40°	0°	20°	40°	0°	20°	40°	
ft	1,000 lbs												ft	
10	18.7	-	-	-	-	-	-	-	-	-	-	-	-	10
12	18.2	-	-	-	-	-	-	-	-	-	-	-	-	12
14	18.0	-	-	-	-	-	-	-	-	-	-	-	-	14
16	17.4	-	-	-	-	-	-	-	-	-	-	-	-	16
18	16.3	-	-	-	-	-	-	-	-	-	-	-	-	18
20	15.3	-	-	14.7	-	-	-	-	-	-	-	-	-	20
24	13.5	-	-	14.5	-	-	-	-	-	-	-	-	-	24
28	12.2	9.6	-	14.2	-	-	-	-	-	-	-	-	-	28
32	11.0	8.9	-	13.9	-	-	-	-	-	-	-	-	-	32
36	10.2	8.4	-	13.5	-	-	-	-	-	-	-	-	-	36
40	9.4	7.9	6.8	12.9	9.0	-	8.6	-	-	-	-	-	-	40
48	8.1	7.1	6.3	11.4	8.4	-	8.4	-	-	6.0	-	-	-	48
56	7.1	6.4	5.8	10.4	7.7	6.3	8.4	-	-	6.0	-	-	-	56
64	6.5	5.8	5.6	9.5	7.3	6.0	8.2	7.1	-	5.8	-	-	-	64
72	5.7	5.7	-	8.6	6.8	6.0	8.2	6.8	-	5.7	-	-	-	72
80	-	-	-	8.1	6.6	5.7	7.7	6.6	5.5	5.5	5.5	-	-	80
88	-	-	-	7.3	6.3	5.5	6.2	6.3	5.5	5.2	5.3	5.3	-	88
96	-	-	-	6.8	6.0	5.5	5.0	5.9	5.4	4.3	5.2	5.2	-	96
104	-	-	-	6.1	5.5	5.5	4.1	5.0	5.3	3.2	4.3	4.9	-	104
112	-	-	-	5.5	5.5	5.3	3.3	3.9	4.6	2.6	3.5	4.3	-	112
120	-	-	-	4.7	4.9	-	2.5	3.1	3.7	-	2.7	3.3	-	120
128	-	-	-	3.7	4.1	-	-	2.4	2.9	-	2.0	2.6	-	128
136	-	-	-	3.2	-	-	-	1.7	2.2	-	-	2.1	-	136

23,400 lbs		26.5 ft x 21.3 ft			52.5 ft			360°			ASME B30.5			
		34.1 ft			86.3 ft			140.1 ft			164.0 ft			
		0°	20°	40°	0°	20°	40°	0°	20°	40°	0°	20°	40°	
ft	1,000 lbs												ft	
10	18.7	-	-	-	-	-	-	-	-	-	-	-	-	10
12	18.2	-	-	-	-	-	-	-	-	-	-	-	-	12
14	18.0	-	-	-	-	-	-	-	-	-	-	-	-	14
16	17.4	-	-	-	-	-	-	-	-	-	-	-	-	16
18	16.3	-	-	-	-	-	-	-	-	-	-	-	-	18
20	15.3	-	-	14.7	-	-	-	-	-	-	-	-	-	20
24	13.5	-	-	14.5	-	-	-	-	-	-	-	-	-	24
28	12.2	9.6	-	14.2	-	-	-	-	-	-	-	-	-	28
32	11.0	8.9	-	13.9	-	-	-	-	-	-	-	-	-	32
36	10.2	8.4	-	13.5	-	-	-	-	-	-	-	-	-	36
40	9.4	7.9	6.8	12.9	9.0	-	8.6	-	-	-	-	-	-	40
48	8.1	7.1	6.3	11.4	8.4	-	8.4	-	-	6.0	-	-	-	48
56	7.1	6.4	5.8	10.4	7.7	6.3	8.4	-	-	6.0	-	-	-	56
64	6.5	5.8	5.6	9.5	7.3	6.0	8.2	7.1	-	5.8	-	-	-	64
72	5.7	5.7	-	8.6	6.8	6.0	8.2	6.8	-	5.7	-	-	-	72
80	-	-	-	7.9	6.6	5.7	7.0	6.6	5.5	5.4	5.5	-	-	80
88	-	-	-	7.3	6.3	5.5	5.6	6.3	5.5	4.7	5.3	5.3	-	88
96	-	-	-	6.6	5.9	5.5	4.5	5.5	5.4	3.6	4.7	5.2	-	96
104	-	-	-	5.8	5.5	5.3	3.4	4.5	5.1	2.7	3.8	4.7	-	104
112	-	-	-	5.0	5.5	5.3	2.8	3.5	4.1	-	3.0	3.7	-	112
120	-	-	-	4.3	4.7	-	2.0	2.7	3.3	-	2.2	2.9	-	120
128	-	-	-	3.4	3.6	-	-	2.0	2.5	-	-	2.2	-	128
136	-	-	-	2.9	-	-	-	-	1.7	-	-	-	-	136

Operation

HAV

9,700 lbs		26.5 ft x 21.3 ft						52.5 ft			360°			ASME B30.5	
		34.1 ft			86.3 ft			140.1 ft			164.0 ft				
		0°	20°	40°	0°	20°	40°	0°	20°	40°	0°	20°	40°		
ft	1,000 lbs													ft	
10	18.7	-	-	-	-	-	-	-	-	-	-	-	-	-	10
12	18.2	-	-	-	-	-	-	-	-	-	-	-	-	-	12
14	18.0	-	-	-	-	-	-	-	-	-	-	-	-	-	14
16	17.4	-	-	-	-	-	-	-	-	-	-	-	-	-	16
18	16.3	-	-	-	-	-	-	-	-	-	-	-	-	-	18
20	15.3	-	-	-	14.7	-	-	-	-	-	-	-	-	-	20
24	13.5	-	-	-	14.5	-	-	-	-	-	-	-	-	-	24
28	12.2	9.6	-	-	14.2	-	-	-	-	-	-	-	-	-	28
32	11.0	8.9	-	-	13.9	-	-	-	-	-	-	-	-	-	32
36	10.2	8.4	-	-	13.5	-	-	-	-	-	-	-	-	-	36
40	9.4	7.9	6.8	-	12.9	9.0	-	8.6	-	-	-	-	-	-	40
48	8.1	7.1	6.3	-	11.4	8.4	-	8.4	-	-	6.0	-	-	-	48
56	7.1	6.4	5.8	-	10.2	7.7	6.3	7.9	-	-	6.0	-	-	-	56
64	6.5	5.8	5.6	-	9.2	7.3	6.0	6.3	7.1	-	5.1	-	-	-	64
72	5.7	5.7	-	-	8.0	6.8	6.0	4.7	6.2	-	3.6	-	-	-	72
80	-	-	-	-	6.6	6.4	5.7	3.4	4.7	5.4	2.5	4.0	-	-	80
88	-	-	-	-	5.4	5.9	5.5	2.3	3.6	4.7	-	2.7	4.0	-	88
96	-	-	-	-	4.3	5.0	5.2	-	2.5	3.6	-	1.8	3.0	-	96
104	-	-	-	-	3.4	3.9	4.3	-	1.6	2.6	-	-	2.1	-	104
112	-	-	-	-	2.8	3.3	3.3	-	-	-	-	-	-	-	112
120	-	-	-	-	2.3	2.5	-	-	-	-	-	-	-	-	120

6,800 lbs		26.5 ft x 21.3 ft						52.5 ft			360°			ASME B30.5	
		34.1 ft			86.3 ft			140.1 ft			164.0 ft				
		0°	20°	40°	0°	20°	40°	0°	20°	40°	0°	20°	40°		
ft	1,000 lbs													ft	
10	18.7	-	-	-	-	-	-	-	-	-	-	-	-	-	10
12	18.2	-	-	-	-	-	-	-	-	-	-	-	-	-	12
14	18.0	-	-	-	-	-	-	-	-	-	-	-	-	-	14
16	17.4	-	-	-	-	-	-	-	-	-	-	-	-	-	16
18	16.3	-	-	-	-	-	-	-	-	-	-	-	-	-	18
20	15.3	-	-	-	14.7	-	-	-	-	-	-	-	-	-	20
24	13.5	-	-	-	14.5	-	-	-	-	-	-	-	-	-	24
28	12.2	9.6	-	-	14.2	-	-	-	-	-	-	-	-	-	28
32	11.0	8.9	-	-	13.9	-	-	-	-	-	-	-	-	-	32
36	10.2	8.4	-	-	13.5	-	-	-	-	-	-	-	-	-	36
40	9.4	7.9	6.8	-	12.9	9.0	-	8.6	-	-	-	-	-	-	40
48	8.1	7.1	6.3	-	11.4	8.4	-	8.4	-	-	6.0	-	-	-	48
56	7.1	6.4	5.8	-	10.1	7.7	6.3	7.4	-	-	5.7	-	-	-	56
64	6.5	5.8	5.6	-	8.8	7.3	6.0	5.5	6.9	-	4.3	-	-	-	64
72	5.7	5.7	-	-	7.3	6.8	6.0	3.8	5.5	-	2.9	-	-	-	72
80	-	-	-	-	6.0	6.3	5.7	2.7	4.0	5.3	-	3.1	-	-	80
88	-	-	-	-	4.7	5.5	5.5	-	2.9	4.0	-	2.2	3.4	-	88
96	-	-	-	-	3.8	4.3	4.8	-	2.0	3.0	-	-	2.3	-	96
104	-	-	-	-	3.0	3.4	3.8	-	-	2.1	-	-	-	-	104
112	-	-	-	-	2.4	2.8	2.8	-	-	-	-	-	-	-	112
120	-	-	-	-	-	2.1	-	-	-	-	-	-	-	-	120

Operation

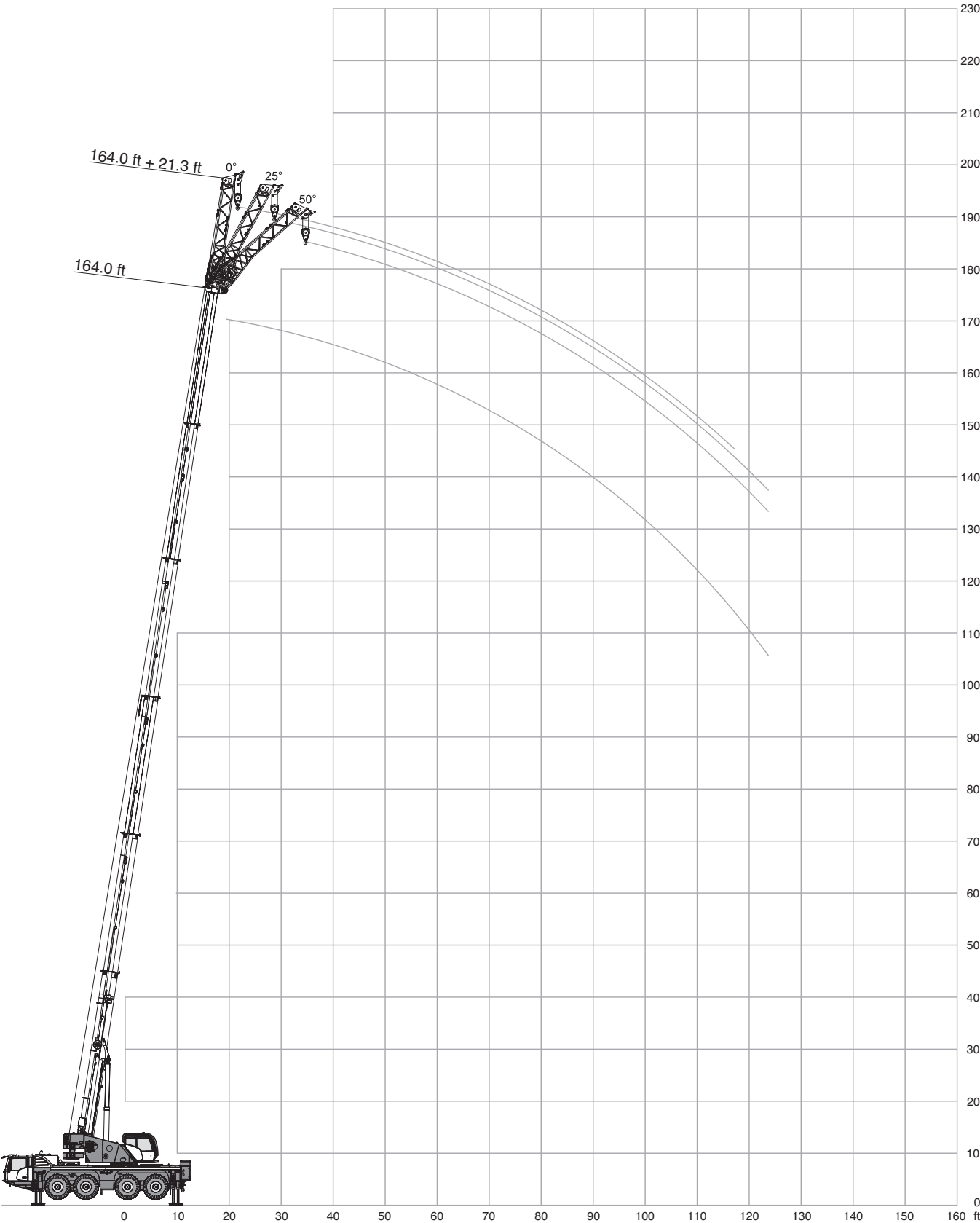
HAV

2,900 lbs		26.5 ft x 21.3 ft						52.5 ft			360°			ASME B30.5	
ft	34.1 ft			86.3 ft			140.1 ft			164.0 ft			ft		
	0°	20°	40°	0°	20°	40°	0°	20°	40°	0°	20°	40°			
	1,000 lbs														
10	18.7	-	-	-	-	-	-	-	-	-	-	-	-	10	
12	18.2	-	-	-	-	-	-	-	-	-	-	-	-	12	
14	18.0	-	-	-	-	-	-	-	-	-	-	-	-	14	
16	17.4	-	-	-	-	-	-	-	-	-	-	-	-	16	
18	16.3	-	-	-	-	-	-	-	-	-	-	-	-	18	
20	15.3	-	-	14.7	-	-	-	-	-	-	-	-	-	20	
24	13.5	-	-	14.5	-	-	-	-	-	-	-	-	-	24	
28	12.2	9.6	-	14.2	-	-	-	-	-	-	-	-	-	28	
32	11.0	8.9	-	13.9	-	-	-	-	-	-	-	-	-	32	
36	10.2	8.4	-	13.5	-	-	-	-	-	-	-	-	-	36	
40	9.4	7.9	6.8	12.9	9.0	-	8.6	-	-	-	-	-	-	40	
48	8.1	7.1	6.3	11.1	8.4	-	8.0	-	-	5.9	-	-	-	48	
56	7.1	6.4	5.8	9.8	7.7	6.3	6.0	-	-	4.8	-	-	-	56	
64	6.5	5.8	5.6	8.2	7.3	6.0	4.1	5.9	-	3.0	-	-	-	64	
72	5.7	5.7	-	6.4	6.8	6.0	2.7	4.2	-	1.6	-	-	-	72	
80	-	-	-	4.9	5.8	5.7	-	2.9	4.4	-	-	-	-	80	
88	-	-	-	3.9	4.7	5.1	-	-	3.2	-	-	-	-	88	
96	-	-	-	3.1	3.6	4.1	-	-	2.1	-	-	-	-	96	
104	-	-	-	2.3	2.7	3.2	-	-	-	-	-	-	-	104	
112	-	-	-	-	2.2	2.2	-	-	-	-	-	-	-	112	

0 lbs		26.5 ft x 21.3 ft						52.5 ft			360°			ASME B30.5	
ft	34.1 ft			86.3 ft			140.1 ft			164.0 ft			ft		
	0°	20°	40°	0°	20°	40°	0°	20°	40°	0°	20°	40°			
	1,000 lbs														
10	18.7	-	-	-	-	-	-	-	-	-	-	-	-	10	
12	18.2	-	-	-	-	-	-	-	-	-	-	-	-	12	
14	18.0	-	-	-	-	-	-	-	-	-	-	-	-	14	
16	17.4	-	-	-	-	-	-	-	-	-	-	-	-	16	
18	16.3	-	-	-	-	-	-	-	-	-	-	-	-	18	
20	15.3	-	-	14.7	-	-	-	-	-	-	-	-	-	20	
24	13.5	-	-	14.5	-	-	-	-	-	-	-	-	-	24	
28	12.2	9.6	-	14.2	-	-	-	-	-	-	-	-	-	28	
32	11.0	8.9	-	13.9	-	-	-	-	-	-	-	-	-	32	
36	10.2	8.4	-	13.5	-	-	-	-	-	-	-	-	-	36	
40	9.4	7.9	6.8	12.8	9.0	-	8.6	-	-	-	-	-	-	40	
48	8.1	7.1	6.3	10.9	8.4	-	7.4	-	-	5.5	-	-	-	48	
56	7.1	6.4	5.8	9.2	7.7	6.3	4.9	-	-	3.6	-	-	-	56	
64	6.5	5.8	5.6	7.2	7.2	6.0	3.2	5.0	-	2.0	-	-	-	64	
72	5.7	5.7	-	5.5	6.6	6.0	1.8	3.6	-	-	-	-	-	72	
80	-	-	-	4.2	5.1	5.6	-	2.3	3.6	-	-	-	-	80	
88	-	-	-	3.3	4.0	4.6	-	-	2.5	-	-	-	-	88	
96	-	-	-	2.4	3.1	3.6	-	-	-	-	-	-	-	96	
104	-	-	-	1.8	2.3	2.7	-	-	-	-	-	-	-	104	

Operation

HAV



Operation

HAV

26,200 lbs		26.5 ft x 21.3 ft			21.3 ft			360°			ASME B30.5		
ft	34.1 ft			86.3 ft			140.1 ft			164.0 ft			ft
	0°	25°	50°	0°	25°	50°	0°	25°	50°	0°	25°	50°	
	1,000 lbs												
10	51.2	-	-	-	-	-	-	-	-	-	-	-	10
12	46.8	-	-	-	-	-	-	-	-	-	-	-	12
14	42.8	32.5	-	-	-	-	-	-	-	-	-	-	14
16	39.1	31.3	-	-	-	-	-	-	-	-	-	-	16
18	35.7	29.9	-	44.9	-	-	-	-	-	-	-	-	18
20	32.5	28.5	16.1	43.9	-	-	-	-	-	-	-	-	20
24	28.1	26.1	15.4	41.6	-	-	-	-	-	-	-	-	24
28	24.4	24.2	14.8	38.6	29.5	-	-	-	-	-	-	-	28
32	21.5	22.6	14.4	35.2	28.3	15.8	-	-	-	-	-	-	32
36	19.4	21.3	-	31.3	27.1	15.4	16.5	-	-	-	-	-	36
40	17.6	-	-	27.4	25.9	15.2	16.5	-	-	-	-	-	40
48	-	-	-	20.7	21.4	14.7	16.5	16.5	-	10.8	-	-	48
56	-	-	-	16.8	17.1	14.4	15.1	15.7	14.4	10.6	10.7	-	56
64	-	-	-	13.7	13.9	13.8	12.1	13.0	13.3	10.2	10.2	10.5	64
72	-	-	-	11.5	11.7	11.7	9.5	10.4	10.9	8.9	9.7	9.7	72
80	-	-	-	9.9	10.1	-	7.6	8.3	8.7	7.0	7.9	8.3	80
88	-	-	-	8.4	8.6	-	5.9	6.6	7.0	5.6	6.3	6.8	88
96	-	-	-	7.2	7.0	-	4.7	5.3	5.5	4.5	5.0	5.5	96
104	-	-	-	5.8	-	-	3.7	4.1	4.3	3.4	3.9	4.3	104
112	-	-	-	-	-	-	2.8	3.0	-	2.6	3.0	3.3	112
120	-	-	-	-	-	-	2.0	2.3	-	-	2.2	2.5	120

23,400 lbs		26.5 ft x 21.3 ft			21.3 ft			360°			ASME B30.5		
ft	34.1 ft			86.3 ft			140.1 ft			164.0 ft			ft
	0°	25°	50°	0°	25°	50°	0°	25°	50°	0°	25°	50°	
	1,000 lbs												
10	51.2	-	-	-	-	-	-	-	-	-	-	-	10
12	46.8	-	-	-	-	-	-	-	-	-	-	-	12
14	42.8	32.5	-	-	-	-	-	-	-	-	-	-	14
16	39.1	31.3	-	-	-	-	-	-	-	-	-	-	16
18	35.7	29.9	-	44.9	-	-	-	-	-	-	-	-	18
20	32.5	28.5	16.1	43.9	-	-	-	-	-	-	-	-	20
24	28.1	26.1	15.4	41.6	-	-	-	-	-	-	-	-	24
28	24.4	24.2	14.8	38.6	29.5	-	-	-	-	-	-	-	28
32	21.5	22.6	14.4	34.8	28.3	15.8	-	-	-	-	-	-	32
36	19.4	21.3	-	30.3	27.1	15.4	16.5	-	-	-	-	-	36
40	17.6	-	-	25.9	25.8	15.2	16.5	-	-	-	-	-	40
48	-	-	-	20.2	20.2	14.7	16.3	16.5	-	10.8	-	-	48
56	-	-	-	16.2	16.3	14.4	14.2	15.1	14.4	10.6	10.7	-	56
64	-	-	-	13.0	13.2	13.4	11.2	12.2	12.7	9.9	10.2	10.5	64
72	-	-	-	11.1	11.1	11.3	8.9	9.8	10.2	8.0	8.9	9.7	72
80	-	-	-	9.2	9.4	-	7.0	7.6	8.1	6.4	7.1	7.7	80
88	-	-	-	7.7	7.9	-	5.5	5.9	6.3	4.9	5.7	6.2	88
96	-	-	-	6.5	6.5	-	4.2	4.7	5.0	3.9	4.5	4.8	96
104	-	-	-	5.4	-	-	3.2	3.7	3.9	3.0	3.4	3.7	104
112	-	-	-	-	-	-	2.4	2.6	-	2.2	2.6	2.8	112
120	-	-	-	-	-	-	-	-	-	-	-	2.0	120

Operation

HAV

9,700 lbs		26.5 ft x 21.3 ft			21.3 ft			360°			ASME B30.5		
ft	34.1 ft			86.3 ft			140.1 ft			164.0 ft			ft
	0°	25°	50°	0°	25°	50°	0°	25°	50°	0°	25°	50°	
1,000 lbs													
10	51.2	-	-	-	-	-	-	-	-	-	-	-	10
12	46.8	-	-	-	-	-	-	-	-	-	-	-	12
14	42.8	32.5	-	-	-	-	-	-	-	-	-	-	14
16	39.1	31.3	-	-	-	-	-	-	-	-	-	-	16
18	35.7	29.9	-	44.9	-	-	-	-	-	-	-	-	18
20	32.5	28.5	16.1	43.8	-	-	-	-	-	-	-	-	20
24	28.1	26.1	15.4	38.6	-	-	-	-	-	-	-	-	24
28	24.4	24.2	14.8	32.0	29.5	-	-	-	-	-	-	-	28
32	21.5	22.6	14.4	27.2	27.6	15.8	-	-	-	-	-	-	32
36	19.4	21.3	-	23.6	24.0	15.4	16.4	-	-	-	-	-	36
40	17.6	-	-	20.5	21.3	15.2	16.0	-	-	-	-	-	40
48	-	-	-	15.9	16.3	14.6	12.0	13.2	-	10.2	-	-	48
56	-	-	-	12.2	12.7	12.9	9.0	10.1	11.0	8.0	9.2	-	56
64	-	-	-	9.5	10.0	10.2	6.6	7.5	8.4	5.7	6.7	7.5	64
72	-	-	-	7.5	8.0	8.2	4.9	5.6	6.2	4.0	4.9	5.6	72
80	-	-	-	6.0	6.4	-	3.4	4.2	4.6	2.7	3.5	4.0	80
88	-	-	-	4.9	5.1	-	2.4	2.9	3.4	-	2.4	2.9	88
96	-	-	-	4.0	3.9	-	-	2.0	2.3	-	-	1.9	96
104	-	-	-	2.9	-	-	-	-	-	-	-	-	104

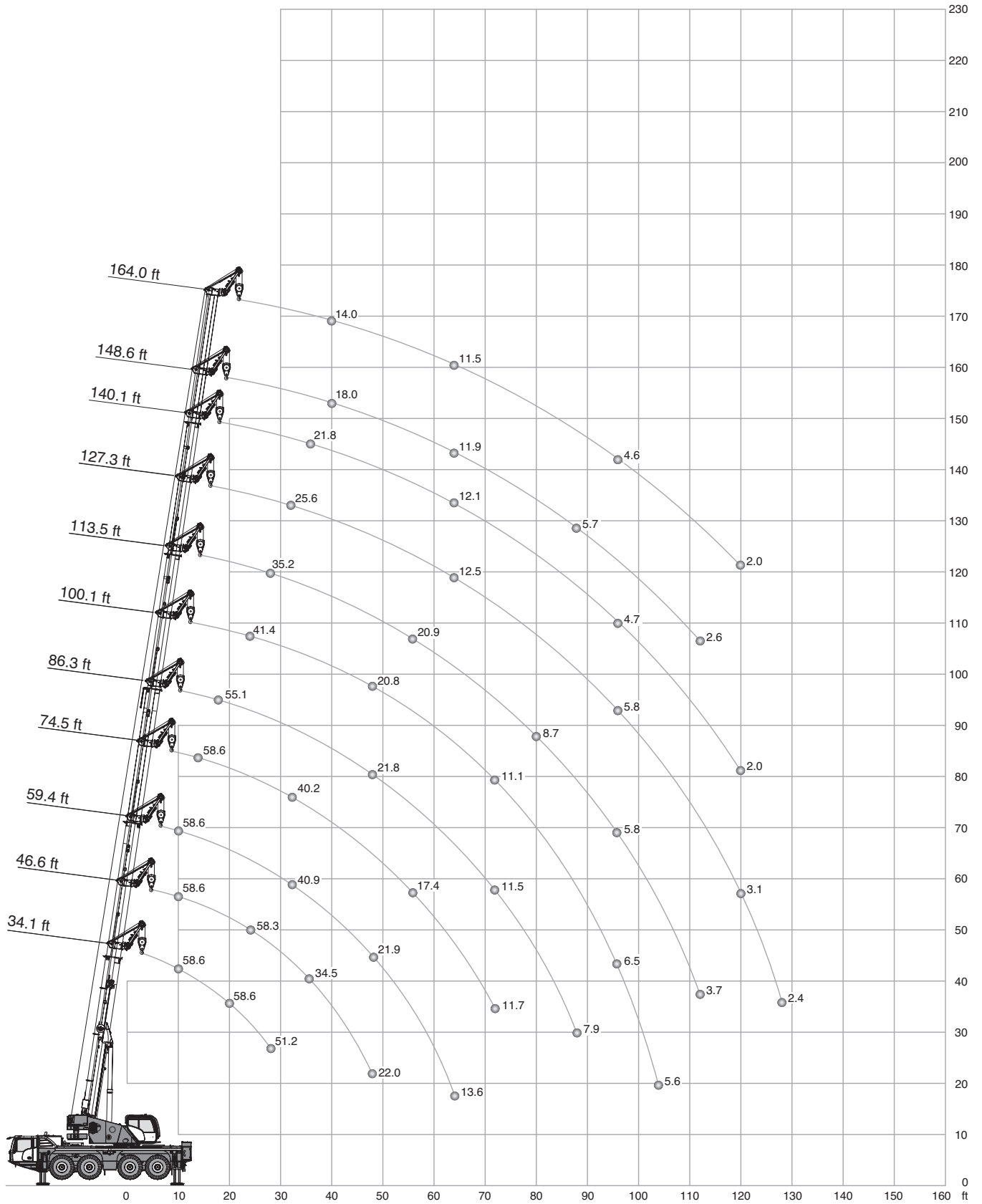
6,800 lbs		26.5 ft x 21.3 ft			21.3 ft			360°			ASME B30.5		
ft	34.1 ft			86.3 ft			140.1 ft			164.0 ft			ft
	0°	25°	50°	0°	25°	50°	0°	25°	50°	0°	25°	50°	
1,000 lbs													
10	51.2	-	-	-	-	-	-	-	-	-	-	-	10
12	46.8	-	-	-	-	-	-	-	-	-	-	-	12
14	42.8	32.5	-	-	-	-	-	-	-	-	-	-	14
16	39.1	31.3	-	-	-	-	-	-	-	-	-	-	16
18	35.7	29.9	-	44.9	-	-	-	-	-	-	-	-	18
20	32.5	28.5	16.1	43.5	-	-	-	-	-	-	-	-	20
24	28.1	26.1	15.4	36.1	-	-	-	-	-	-	-	-	24
28	24.4	24.2	14.8	30.3	29.5	-	-	-	-	-	-	-	28
32	21.5	22.6	14.4	25.5	26.3	15.8	-	-	-	-	-	-	32
36	19.4	21.3	-	22.5	22.4	15.4	15.8	-	-	-	-	-	36
40	17.6	-	-	19.6	20.0	15.2	14.7	-	-	-	-	-	40
48	-	-	-	14.6	15.4	14.4	10.7	12.1	-	9.7	-	-	48
56	-	-	-	11.2	11.8	12.3	7.9	9.0	9.9	6.9	8.1	-	56
64	-	-	-	8.6	9.3	9.5	5.7	6.6	7.5	4.8	5.7	6.7	64
72	-	-	-	6.9	7.3	7.5	4.0	4.9	5.6	3.1	4.0	4.7	72
80	-	-	-	5.3	5.7	-	2.7	3.4	4.0	-	2.7	3.4	80
88	-	-	-	4.3	4.5	-	-	2.4	2.7	-	-	2.3	88
96	-	-	-	3.3	3.3	-	-	-	-	-	-	-	96
104	-	-	-	2.5	-	-	-	-	-	-	-	-	104

Operation

HAV





2,900 lbs		26.5 ft x 21.3 ft			21.3 ft			360°			ASME B30.5			
		34.1 ft			86.3 ft			140.1 ft			164.0 ft			
		0°	25°	50°	0°	25°	50°	0°	25°	50°	0°	25°	50°	
ft	1,000 lbs												ft	
10	51.2	-	-	-	-	-	-	-	-	-	-	-	-	10
12	46.8	-	-	-	-	-	-	-	-	-	-	-	-	12
14	42.8	32.5	-	-	-	-	-	-	-	-	-	-	-	14
16	39.1	31.3	-	-	-	-	-	-	-	-	-	-	-	16
18	35.7	29.9	-	-	44.0	-	-	-	-	-	-	-	-	18
20	32.5	28.5	16.1	-	41.5	-	-	-	-	-	-	-	-	20
24	28.1	26.1	15.4	-	33.5	-	-	-	-	-	-	-	-	24
28	24.4	24.2	14.8	-	27.6	28.1	-	-	-	-	-	-	-	28
32	21.5	22.6	14.4	-	23.9	24.0	15.8	-	-	-	-	-	-	32
36	19.4	20.4	-	-	20.6	21.1	15.4	14.7	-	-	-	-	-	36
40	17.5	-	-	-	17.9	18.7	15.2	12.5	-	-	-	-	-	40
48	-	-	-	-	13.0	13.8	13.9	8.9	10.4	-	8.1	-	-	48
56	-	-	-	-	9.8	10.5	10.8	6.3	7.5	8.4	5.3	6.7	-	56
64	-	-	-	-	7.5	8.2	8.4	4.3	5.3	6.2	3.4	4.6	5.3	64
72	-	-	-	-	5.8	6.2	6.4	2.9	3.6	4.2	2.0	2.9	3.6	72
80	-	-	-	-	4.5	4.7	-	-	2.5	2.9	-	-	2.3	80
88	-	-	-	-	3.5	3.6	-	-	-	-	-	-	-	88
96	-	-	-	-	2.7	2.5	-	-	-	-	-	-	-	96
104	-	-	-	-	1.6	-	-	-	-	-	-	-	-	104

0 lbs		26.5 ft x 21.3 ft			21.3 ft			360°			ASME B30.5			
		34.1 ft			86.3 ft			140.1 ft			164.0 ft			
		0°	25°	50°	0°	25°	50°	0°	25°	50°	0°	25°	50°	
ft	1,000 lbs												ft	
10	51.2	-	-	-	-	-	-	-	-	-	-	-	-	10
12	46.8	-	-	-	-	-	-	-	-	-	-	-	-	12
14	42.8	32.5	-	-	-	-	-	-	-	-	-	-	-	14
16	39.1	31.3	-	-	-	-	-	-	-	-	-	-	-	16
18	35.7	29.9	-	-	42.4	-	-	-	-	-	-	-	-	18
20	32.5	28.5	16.1	-	38.3	-	-	-	-	-	-	-	-	20
24	28.1	26.1	15.4	-	31.3	-	-	-	-	-	-	-	-	24
28	24.4	24.2	14.8	-	26.4	26.5	-	-	-	-	-	-	-	28
32	21.5	22.6	14.4	-	22.3	22.7	15.8	-	-	-	-	-	-	32
36	18.7	19.8	-	-	19.4	19.9	15.4	13.5	-	-	-	-	-	36
40	15.9	-	-	-	16.4	17.3	15.0	11.2	-	-	-	-	-	40
48	-	-	-	-	11.9	12.8	13.4	7.8	9.2	-	6.7	-	-	48
56	-	-	-	-	8.9	9.6	9.9	5.2	6.4	7.4	4.2	5.5	-	56
64	-	-	-	-	6.6	7.3	7.5	3.4	4.3	5.2	2.5	3.6	4.3	64
72	-	-	-	-	5.1	5.5	5.8	2.0	2.9	3.6	-	2.0	2.9	72
80	-	-	-	-	3.8	4.0	-	-	-	-	-	-	-	80
88	-	-	-	-	2.8	3.0	-	-	-	-	-	-	-	88
96	-	-	-	-	2.1	2.0	-	-	-	-	-	-	-	96



Operation




MS




☰ 26,200 lbs		 26.5 ft x 21.3 ft											360°		ASME B30.5	
 		(ft)														
ft		34.1	45.3	46.6	59.4	74.5	86.3	100.1	113.5	127.3	140.1	148.6	164.0	ft		
		1,000 lbs														
10	58.6	58.6	58.6	58.6	58.6	-	-	-	-	-	-	-	-	10		
12	58.6	58.6	58.6	58.6	58.6	-	-	-	-	-	-	-	-	12		
14	58.6	58.6	58.6	58.6	58.6	58.6	-	-	-	-	-	-	-	14		
16	58.6	58.6	58.6	58.6	58.6	58.6	-	-	-	-	-	-	-	16		
18	58.6	58.2	58.6	58.6	58.6	56.8	55.1	-	-	-	-	-	-	18		
20	58.6	58.6	58.6	58.6	58.6	54.3	51.8	-	-	-	-	-	-	20		
24	58.2	58.6	58.3	58.0	47.6	45.8	41.4	-	-	-	-	-	-	24		
28	51.2	52.4	51.5	51.0	43.0	40.7	37.6	35.2	-	-	-	-	-	28		
32	-	41.4	41.6	40.9	40.2	36.3	34.0	32.3	25.6	-	-	-	-	32		
36	-	34.4	34.5	35.1	34.6	31.6	30.5	29.3	24.8	21.8	-	-	-	36		
40	-	-	29.5	29.3	28.7	27.6	27.8	26.4	23.7	21.7	18.0	14.0	-	40		
48	-	-	22.0	21.9	21.6	21.8	20.8	20.9	19.7	19.3	16.6	13.3	-	48		
56	-	-	-	17.0	17.4	16.9	17.0	16.2	15.9	15.5	14.8	12.7	-	56		
64	-	-	-	13.6	14.0	14.0	13.6	13.2	12.5	12.1	11.9	11.5	-	64		
72	-	-	-	-	11.7	11.5	11.1	10.6	10.6	9.5	9.3	9.3	-	72		
80	-	-	-	-	-	9.4	9.2	8.7	8.8	7.5	7.4	7.5	-	80		
88	-	-	-	-	-	7.9	7.8	7.0	7.2	5.9	5.7	5.9	-	88		
96	-	-	-	-	-	-	6.5	5.8	5.8	4.7	4.5	4.6	-	96		
104	-	-	-	-	-	-	5.6	4.8	4.8	3.7	3.4	3.6	-	104		
112	-	-	-	-	-	-	-	3.7	3.9	2.8	2.6	2.6	-	112		
120	-	-	-	-	-	-	-	-	3.1	2.0	-	2.0	-	120		
128	-	-	-	-	-	-	-	-	2.4	-	-	-	-	128		
1)	29.8	22.7	20.9	14.8	11.7	8.8	6.4	3.5	2.6	-	-	-	-	1)		

1) Capacities with horizontal boom

Operation

MS

☰ 23,400 lbs		☰ 26.5 ft x 21.3 ft											360°		ASME B30.5	
																
		(ft)														
		34.1	45.3	46.6	59.4	74.5	86.3	100.1	113.5	127.3	140.1	148.6	164.0			
ft		1,000 lbs											ft			
10	58.6	58.6	58.6	58.6	58.6	-	-	-	-	-	-	-	-	10		
12	58.6	58.6	58.6	58.6	58.6	-	-	-	-	-	-	-	-	12		
14	58.6	58.6	58.6	58.6	58.6	58.6	-	-	-	-	-	-	-	14		
16	58.6	58.6	58.6	58.6	58.6	58.6	-	-	-	-	-	-	-	16		
18	58.6	58.2	58.6	58.6	58.6	56.8	55.1	-	-	-	-	-	-	18		
20	58.6	58.6	58.6	58.6	58.6	54.3	51.8	-	-	-	-	-	-	20		
24	57.3	57.7	57.5	57.2	47.6	45.8	41.4	-	-	-	-	-	-	24		
28	48.8	50.0	49.4	48.6	43.0	40.7	37.6	35.2	-	-	-	-	-	28		
32	-	39.5	39.6	39.4	38.7	36.0	34.0	32.3	25.6	-	-	-	-	32		
36	-	32.8	32.8	33.4	32.9	30.8	29.9	28.5	24.8	21.8	-	-	-	36		
40	-	-	28.0	27.8	27.2	27.4	26.3	25.1	23.6	21.6	18.0	14.0	10	40		
48	-	-	20.9	20.7	21.2	20.7	20.2	19.8	19.3	18.7	16.6	13.3	10	48		
56	-	-	-	16.6	16.5	16.1	16.1	15.8	14.9	14.6	14.1	12.7	10	56		
64	-	-	-	12.7	13.2	13.4	12.7	12.5	12.2	11.4	11.1	10.9	10	64		
72	-	-	-	-	11.1	10.9	10.4	10.0	10.0	8.9	8.7	8.6	10	72		
80	-	-	-	-	-	8.8	8.8	8.1	8.1	6.8	6.8	6.8	10	80		
88	-	-	-	-	-	7.5	7.3	6.6	6.6	5.5	5.3	5.3	10	88		
96	-	-	-	-	-	-	6.3	5.3	5.3	4.2	4.1	4.1	10	96		
104	-	-	-	-	-	-	5.2	4.3	4.3	3.2	3.0	3.2	10	104		
112	-	-	-	-	-	-	-	3.3	3.5	2.4	2.2	2.2	10	112		
120	-	-	-	-	-	-	-	-	2.7	-	-	-	10	120		
128	-	-	-	-	-	-	-	-	2.2	-	-	-	10	128		
1)	29.8	22.7	20.9	13.9	11.0	8.2	5.7	3.3	2.5	-	-	-	-	1)		

☰ 9,700 lbs		☰ 26.5 ft x 21.3 ft											360°		ASME B30.5	
																
		(ft)														
		34.1	45.3	46.6	59.4	74.5	86.3	100.1	113.5	127.3	140.1	148.6	164.0			
ft		1,000 lbs											ft			
10	58.6	58.6	58.6	58.6	58.6	-	-	-	-	-	-	-	-	10		
12	58.6	58.6	58.6	58.6	58.6	-	-	-	-	-	-	-	-	12		
14	58.6	58.6	58.6	58.6	58.6	58.6	-	-	-	-	-	-	-	14		
16	58.6	58.6	58.6	58.6	58.6	58.6	-	-	-	-	-	-	-	16		
18	58.6	58.2	58.6	58.6	58.6	56.8	55.1	-	-	-	-	-	-	18		
20	58.1	58.3	58.1	57.8	53.9	51.4	40.9	-	-	-	-	-	-	20		
24	49.8	51.2	50.1	46.8	43.9	40.6	38.0	-	-	-	-	-	-	24		
28	36.5	37.9	38.0	38.0	35.4	33.9	32.3	30.0	-	-	-	-	-	28		
32	-	29.7	30.6	30.4	29.3	29.0	27.5	26.1	23.7	-	-	-	-	32		
36	-	24.8	25.2	25.0	25.5	24.6	23.9	22.8	20.7	19.6	-	-	-	36		
40	-	-	20.7	21.3	21.1	21.1	20.7	19.4	18.4	16.8	16.0	14.0	10	40		
48	-	-	15.1	15.6	15.9	15.6	15.0	14.6	14.2	12.5	11.9	11.7	10	48		
56	-	-	-	11.9	12.2	11.9	11.7	10.9	10.8	9.4	8.7	8.6	10	56		
64	-	-	-	8.6	9.7	9.3	9.3	8.2	8.4	7.0	6.4	6.2	10	64		
72	-	-	-	-	7.8	7.3	7.3	6.2	6.2	5.1	4.7	4.4	10	72		
80	-	-	-	-	-	5.6	5.7	4.7	4.9	3.6	3.3	3.1	10	80		
88	-	-	-	-	-	4.5	4.5	3.6	3.6	2.5	2.2	2.2	10	88		
96	-	-	-	-	-	-	3.6	2.7	2.7	-	-	-	10	96		
104	-	-	-	-	-	-	2.7	1.9	1.9	-	-	-	10	104		
1)	28.9	17.9	15.9	11.7	7.5	5.1	3.1	-	-	-	-	-	-	1)		

1) Capacities with horizontal boom

Operation

6,800 lbs		26.5 ft x 21.3 ft											360°		ASME B30.5		
		(ft)															
		34.1	45.3	46.6	59.4	74.5	86.3	100.1	113.5	127.3	140.1	148.6	164.0				
ft		1,000 lbs											ft				
10	58.6	58.6	58.6	58.6	58.6	-	-	-	-	-	-	-	-	10			
12	58.6	58.6	58.6	58.6	58.6	-	-	-	-	-	-	-	-	12			
14	58.6	58.6	58.6	58.6	58.6	58.6	-	-	-	-	-	-	-	14			
16	58.6	58.6	58.6	58.6	58.6	58.6	-	-	-	-	-	-	-	16			
18	58.6	58.2	58.6	58.6	58.6	55.5	54.0	-	-	-	-	-	-	18			
20	57.8	57.9	57.8	57.5	51.2	49.1	40.9	-	-	-	-	-	-	20			
24	46.7	48.0	47.0	43.7	41.1	38.5	36.3	-	-	-	-	-	-	24			
28	34.1	35.4	36.3	35.6	33.0	32.1	30.6	28.8	-	-	-	-	-	28			
32	-	28.1	28.5	28.5	28.2	27.0	26.2	24.7	22.4	-	-	-	-	32			
36	-	23.0	23.5	23.5	23.9	22.8	22.7	21.1	19.3	18.3	-	-	-	36			
40	-	-	19.6	19.8	19.6	19.8	19.2	17.9	17.3	15.3	14.7	13.8	40				
48	-	-	13.9	14.5	14.6	14.4	14.2	13.4	13.0	11.3	10.7	10.4	48				
56	-	-	-	11.0	11.4	10.9	10.9	9.9	9.7	8.3	7.9	7.5	56				
64	-	-	-	7.9	8.9	8.4	8.4	7.5	7.3	5.9	5.5	5.3	64				
72	-	-	-	-	7.1	6.4	6.4	5.6	5.5	4.2	3.8	3.8	72				
80	-	-	-	-	-	4.9	5.1	4.0	4.2	2.9	2.5	2.5	80				
88	-	-	-	-	-	3.8	3.9	2.9	2.9	-	-	-	88				
96	-	-	-	-	-	-	3.1	2.0	2.0	-	-	-	96				
104	-	-	-	-	-	-	2.3	-	-	-	-	-	104				
1)	26.9	16.5	14.6	10.8	6.8	4.4	2.6	-	-	-	-	-	1)				

2,900 lbs		26.5 ft x 21.3 ft											360°		ASME B30.5		
		(ft)															
		34.1	45.3	46.6	59.4	74.5	86.3	100.1	113.5	127.3	140.1	148.6	164.0				
ft		1,000 lbs											ft				
10	58.6	58.6	58.6	58.6	58.6	-	-	-	-	-	-	-	-	10			
12	58.6	58.6	58.6	58.6	58.6	-	-	-	-	-	-	-	-	12			
14	58.6	58.6	58.6	58.6	58.6	58.6	-	-	-	-	-	-	-	14			
16	58.6	58.6	58.6	58.6	58.6	58.6	-	-	-	-	-	-	-	16			
18	58.6	58.2	58.3	56.2	53.1	51.7	-	-	-	-	-	-	-	18			
20	57.3	57.5	57.0	52.5	48.0	44.3	40.7	-	-	-	-	-	-	20			
24	41.9	43.4	42.4	40.3	37.1	35.7	34.0	-	-	-	-	-	-	24			
28	30.5	32.1	33.2	32.1	30.8	29.4	28.2	26.4	-	-	-	-	-	28			
32	-	25.1	25.8	25.8	26.0	25.0	23.8	22.0	20.7	-	-	-	-	32			
36	-	20.5	21.1	21.7	21.5	21.4	20.2	18.7	17.9	15.8	-	-	-	36			
40	-	-	17.4	17.7	17.9	17.7	17.2	15.8	15.1	13.2	12.5	12.3	40				
48	-	-	12.3	12.9	13.2	12.8	12.8	11.7	11.1	9.6	8.9	8.7	48				
56	-	-	-	9.6	10.1	9.6	9.6	8.5	8.3	6.9	6.2	6.0	56				
64	-	-	-	6.6	7.7	7.3	7.3	6.2	6.1	4.8	4.1	3.9	64				
72	-	-	-	-	6.0	5.5	5.3	4.4	4.4	3.1	2.7	2.5	72				
80	-	-	-	-	-	4.0	4.0	3.1	3.1	-	-	-	80				
88	-	-	-	-	-	3.0	3.0	2.2	2.2	-	-	-	88				
96	-	-	-	-	-	-	2.2	-	-	-	-	-	96				
1)	23.8	14.8	12.8	9.5	5.7	3.5	2.0	-	-	-	-	-	1)				

1) Capacities with horizontal boom

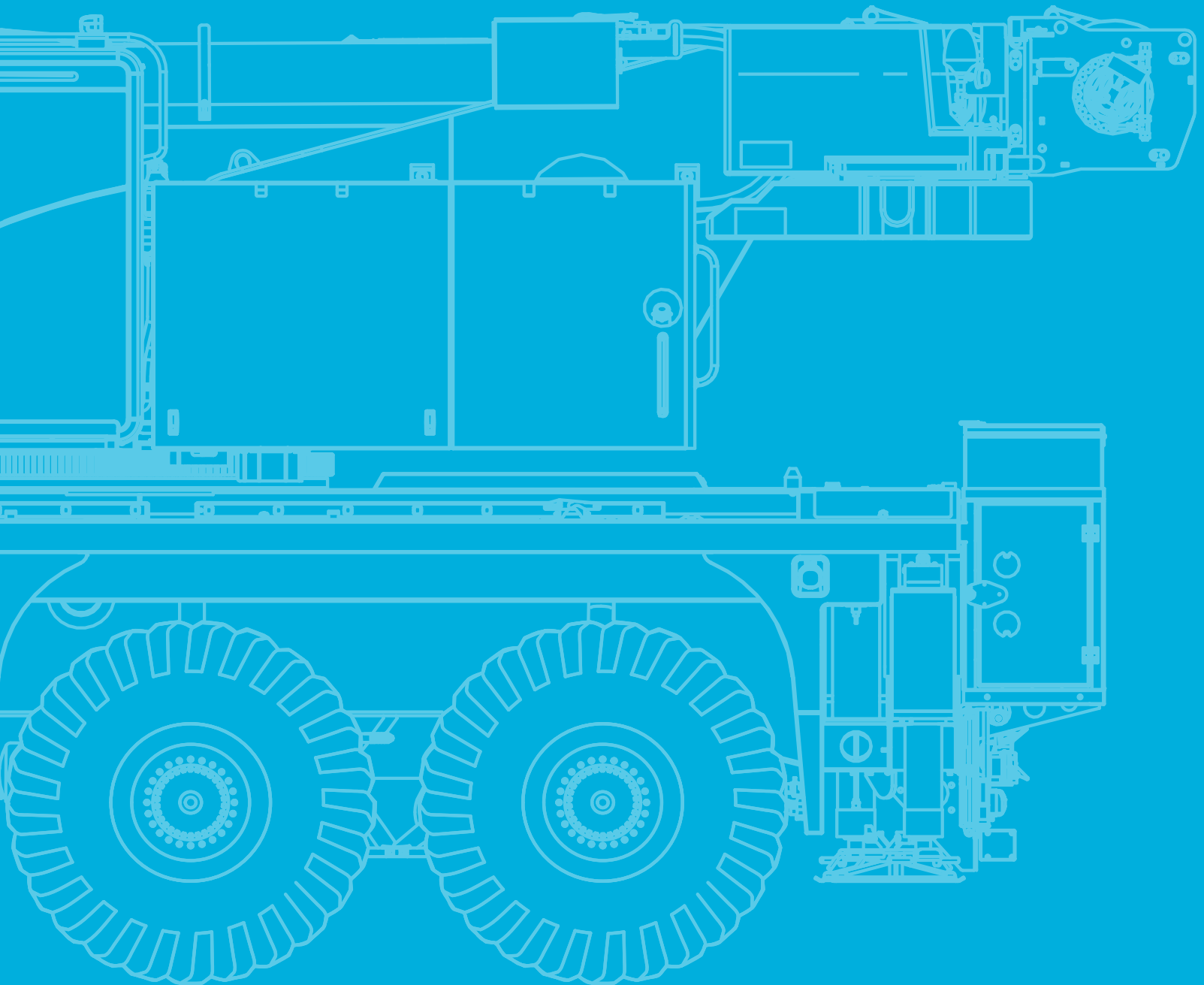
Notes to Lifting Capacity

Ratings are in compliance with ASME B30.5.
Lifting capacities do not exceed 85 % of tipping load.

Weight of hook blocks and slings is part of the load, and is to be deducted from the capacity ratings.
Consult operation manual for further details.

Note: Data published herein is intended as a guide only and shall not be construed to warrant applicability for lifting purposes.
Crane operation is subject to the computer charts and operation manual both supplied with the crane.

TECHNICAL DESCRIPTION



Technical Description

Basic machine

Equipment carrier

Engine 340-5	Mercedes-Benz OM471; Diesel engine; 340 kW / 1700 ¹ /min (462 HP), torque 2200 Nm / 1000 ¹ /min; The engine complies with EU Stage V/Tier 4F; Exhaust system complete stainless steel with SCR catalyzer.
Fuel tank	92.5 gallons Diesel (no RME / biodiesel); 11 gallons Ad-Blue tank.
Transmission G230	Mercedes-Benz G230-12; Automated gearbox with 12 forward speeds and 2 reverse; 2-stage transfer case with switchable longitudinal lock.
Axles 8 x 4 x 8	All 4 axles steered, axles 1 and 4 driven and equipped with selectable transverse lock.
Suspension	Hydropneumatic suspension with axle load compensation; Hydraulically lockable; Manual or automatic levelling alternatively.
Steering	Dual circuit hydro servocom steering with emergency steering pump; Active rear axle steering.
Brakes	Pneumatic dual circuit service brake with antilock system, acting on all wheels; Disc brakes; Additional, double-speed decompression brake; Spring-loaded parking brake.
Tires	Tires size 385/95 R25 (14.00R25); Steel rim 9,5-25/1,7"
Cab 2550	Type 8.4 ft; Adjustable driver seat, armrests and pneumatic suspension; Height and tilt-adjustable steering wheel; Auxiliary/passenger seat; Powered door windows; Tinted glass; Electrically adjustable rear-view mirrors, heated; Radio; Seat heating; Heating engine-dependent; Aircondition.
Rear view camera	Display in carrier cab; Cameras installed on rear of vehicle.
Drive lights	Including low beam, upper beam, daytime running lights, fog lights and cornering lights.
Central lubrication	Automatic central lubrication system for the lubricating points at the carrier.
Outriggers	H-4-Point design; Vertical and horizontal movement fully hydraulic; Manual or automatic levelling alternatively; 4 outrigger bases: 7.7 ft, 10.4 ft, 14.7 ft and 21.3 ft. 4 square outrigger pads A = 0.85 ft ² with transport position at vertical cylinder.
Outrigger basis monitoring	Individual monitoring of horizontal stroke; Deviation warning in crane cab.
Outrigger load indicator	The outrigger load is indicated in the operator cab and the outrigger control box.
Electronic immobiliser system	Prevents uncontrolled carrier mobilisation; Incl. 5 ignition keys.
Pneumatic tire filling plug	For self-filling of the wheels.

Equipment superstructure

Telescopic boom HA50	34.1 ft - 164.0 ft; Single cylinder telescoping system, automatic telescoping; Attachments for all equipment and extensions; 3 sheaves integrated in boom head for max. capacity of 87,100 lbs.
Boom luffing	1 luffing cylinder with automatic lowering brake valve.
Rotary drive	Single slewing gear unit with spring-loaded multi-disc brake.
H1	Hoist with spring-loaded multi-disc brake; Resolver (hoist rotation indicator).
Counterweight 26,200 lbs	5 pieces; Automatic rigging system.
Control system	Enabling 4 simultaneous working movements; Electric pilot controls via 2 two-axis joysticks; Different control modes selectable for hydraulic circuits.
Operator aids	IC-1, with integrated electronic load moment indicator in accordance with EN13000; Color display; Displaying of current operating conditions, load charts, fault indicator; Signal lights indicating LMI-load; Crane data logger.
IC-1 Plus incl. Flex Base	Smart crane control system for main boom operation enabling higher lifting capacities especially over outriggers. Enables safe use of the full capacity of the crane even in asymmetric outrigger configurations. Flexible and independent outrigger positioning possible. Capacity precalculation for +/- 30° slewing angle and radius area. In-cab lift simulation.
Working range limiter	Displaying and programmability of the work range limits by IC-1.
Cab 875	Type 2.87 ft; Tilt infinitely variable 16°; Sliding window rear; Fold-out front window; Extendable side pedestal, front pedestal; Handrails; Tinted safety glass; Pull-down sun visor; Radio; Seat heating; Heating engine-independent; Aircondition.
Central lubrication	Automatic central lubrication system for the lubricating points at the superstructure.

Technical Description

Additional equipment

Carrier

Engine 340-3	Mercedes-Benz OM471; Diesel engine; 340 kW / 1700 ¹ /min (462 HP), torque 2200 Nm / 1000 ¹ /min; The engine complies with ECE R96 (equivalent to former regulation EU Stage III A / Tier 3); Exhaust system complete stainless steel incl. spark arrester certificate.
Axles 8 x 6 x 8	All 4 axles steered, axles 1 and 4 permanently driven, axle 3 shiftable, all axles equipped with selectable transverse lock.
Wear-free auxiliary brake	Wear-free auxiliary eddy-current brake at 4th axle.
Tires	8 tires; Tire size 445/95R25 (16.00R25) or 525/80 (20.5R25).
Tadano Surround View	360° view during road travelling; Speed dependent; Indication in display of carrier cabin. Usable as assistance system when entering jobsite with indication of outrigger positions and tailswing of counterweight.

Superstructure

2. hoist (H2)	Spring-loaded multi-disc brake; Integrated resolver (hoist rotation indicator); Quick couplings; Incl. hoist monitoring.
Load supervision camera	Camera mounted on main boom head to supervise the hook block and load from above; Incl. boom head light on boom head.

Handling

Remote control	Control of rigging and superstructure movements via wireless remote control.
Moving out of crane cab	Control of carrier out of crane cab, enables machine moving when rigged, possible even under load.
E-Pack	Electro-hydraulic pump aggregate for emission free crane operation.

Extensions

HAV 21.3 ft	Lattice swing-away jib, manual offset 25°/50°; 2-sheave head; Incl. transport storage.
HAV 52.5 ft	Double folding swing-away jib, manual offset 20°/40°; 1-sheave head; Incl. transport storage; Includes HAV 27.9 ft.
MS (runner)	5.2 ft; Variable assembly jib with manual offset; 2-sheaves, for max. 58,600 lbs lifting capacity.

Hook Blocks

Vario hook block 110,200 lbs, 3-sheaves	Max. capacity 87,100 lbs; 660-1,320 lbs; Adjustable ballast and double hook, variable usage as 1- and 3-sheaves hook block, red with white signal stripes.
Vario hook block 110,200 lbs, 3-sheaves	Max. capacity 87,100 lbs; 660-1,320 lbs; Adjustable ballast and single hook, variable usage as 1- and 3-sheaves hook block, red with white signal stripes.
Hook block 110,200 lbs, 3-sheaves	Max. capacity 87,100 lbs; 1,320 lbs; Double hook, red with white signal stripes.
Hook block 44,100 lbs, 1-sheave	Max. capacity 44,200 lbs; 660 lbs; Single hook, red with white signal stripes.
Hook 17,600 lbs	Max. capacity 14,900 lbs; 380 lbs; Single hook, red.

Further additional equipment on request!

Weight data may deviate from posted values based on road / travel configuration, equipment configuration, and component weight tolerances.

tac.sales@tadano.com
www.tadanoamericas.com

Tadano Europe Holdings GmbH
Dinglerstraße 24, 66482 Zweibrücken, Germany
Phone +49 6332 830

Tadano America Corporation
4242 West Greens Road, Houston, TX 77066
Phone: +1 (281) 869-00300



Lifting your dreams

