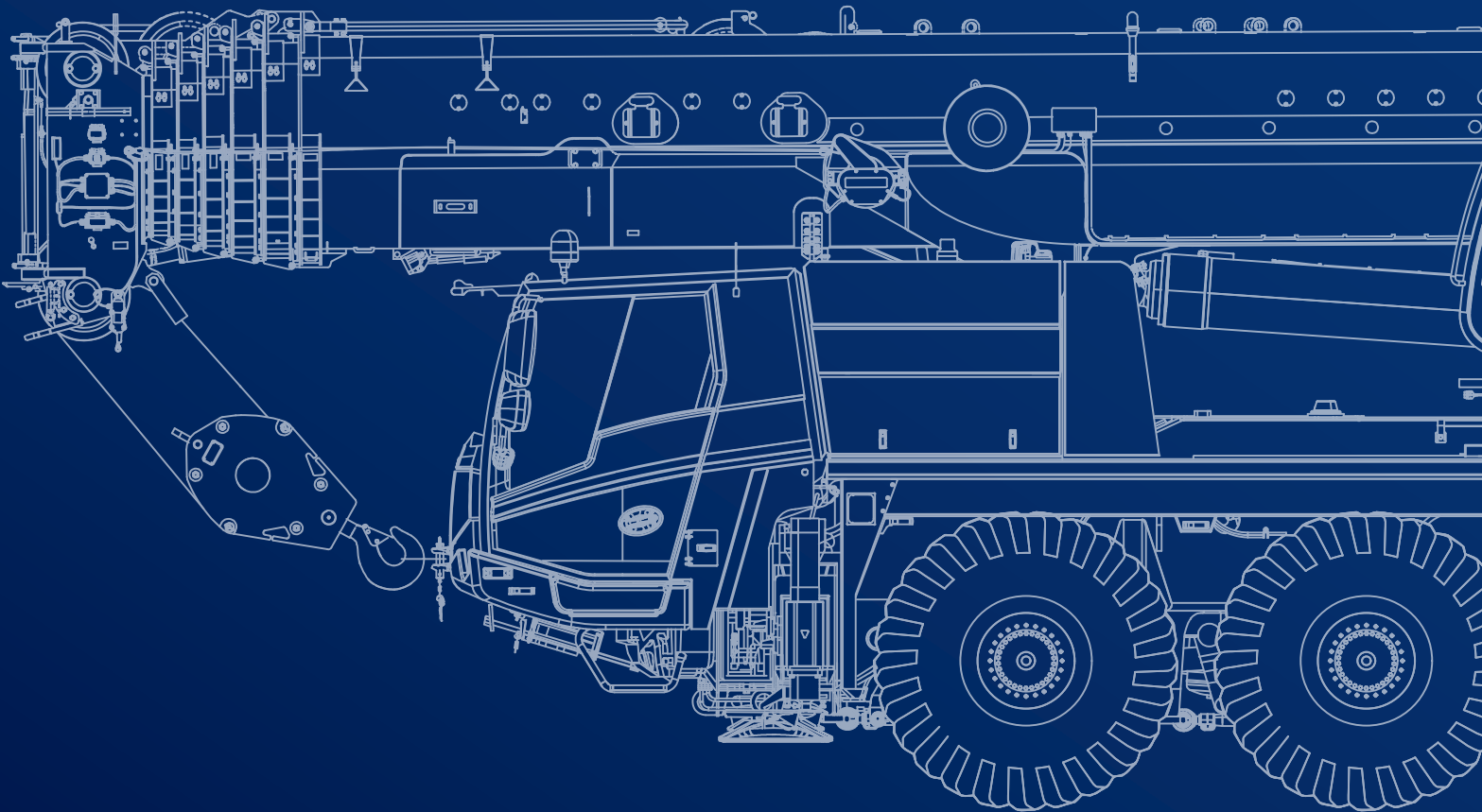


AC 4.110-1

120 US TON MAX. CRANE CAPACITY



June 2022. Unless otherwise specified, all information in this brochure refers to a standard crane equipment, and it is intended as general information only. No liability is assumed. Errors reserved. Product specifications and prices are subject to changes without notice. The photographs and/or drawings in this brochure are for illustrative purposes only. For correct and safe crane operation, the original operating manual and lifting capacity charts are essential. Failure to follow the corresponding Operator's Manual when using our equipment or failure to otherwise act responsibly may result in property damage, serious injury or death. The sole warranty applicable with respect to our equipment is the standard warranty as per general terms and conditions of sales and service (ask your local Tadano dealer for details), and Tadano makes no other warranty, express or implied. All rights reserved. Any use of the trademarks, logos, brand names and model names used herein is prohibited.

© Tadano Ltd. 2022

Contents

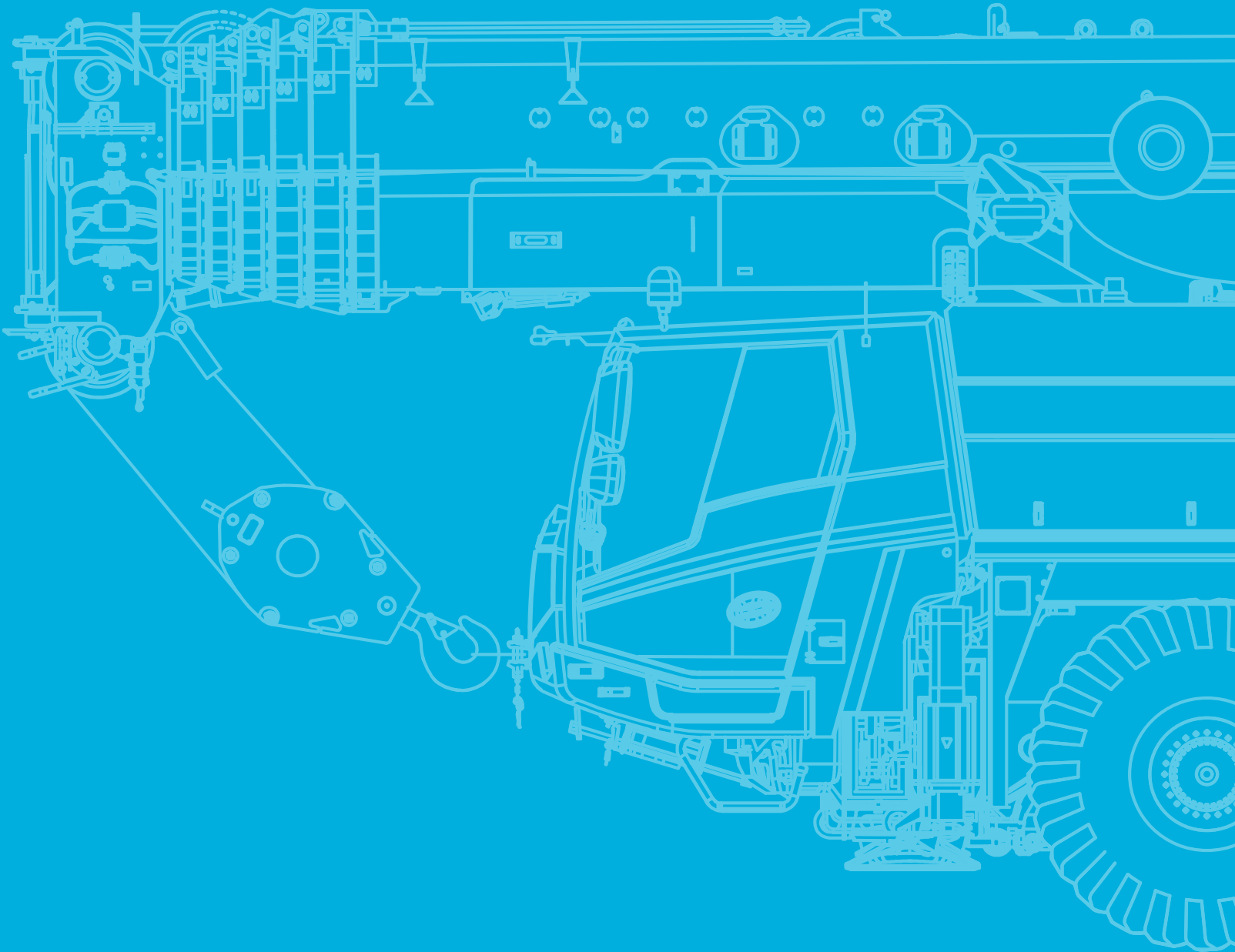
General	5
Vehicle dimensions	6
Boom combinations	7
On-road and off-road driving	9
Axle loads	10
Speeds and gradeability	10
Steering	10
Transportation	11
Counterweight	12-13
Configurations	12
Jib	14-16
Operation	17
Main boom	19
Slewing	19
Hoist	19
Outrigger cylinders	19
Hook Blocks	19
HA: Main boom	20-25
HAV: Folding swing-away jib	26-33
HAV-VA: Variable extension with swing-away jib	34-38
HTLJ: Hydraulically telescopable and tiltable jib	40-46
MS: Runner	48-51
Notes to Lifting Capacity	52
Technical Description	53
Basic machine	54
Additional equipment	55

Key



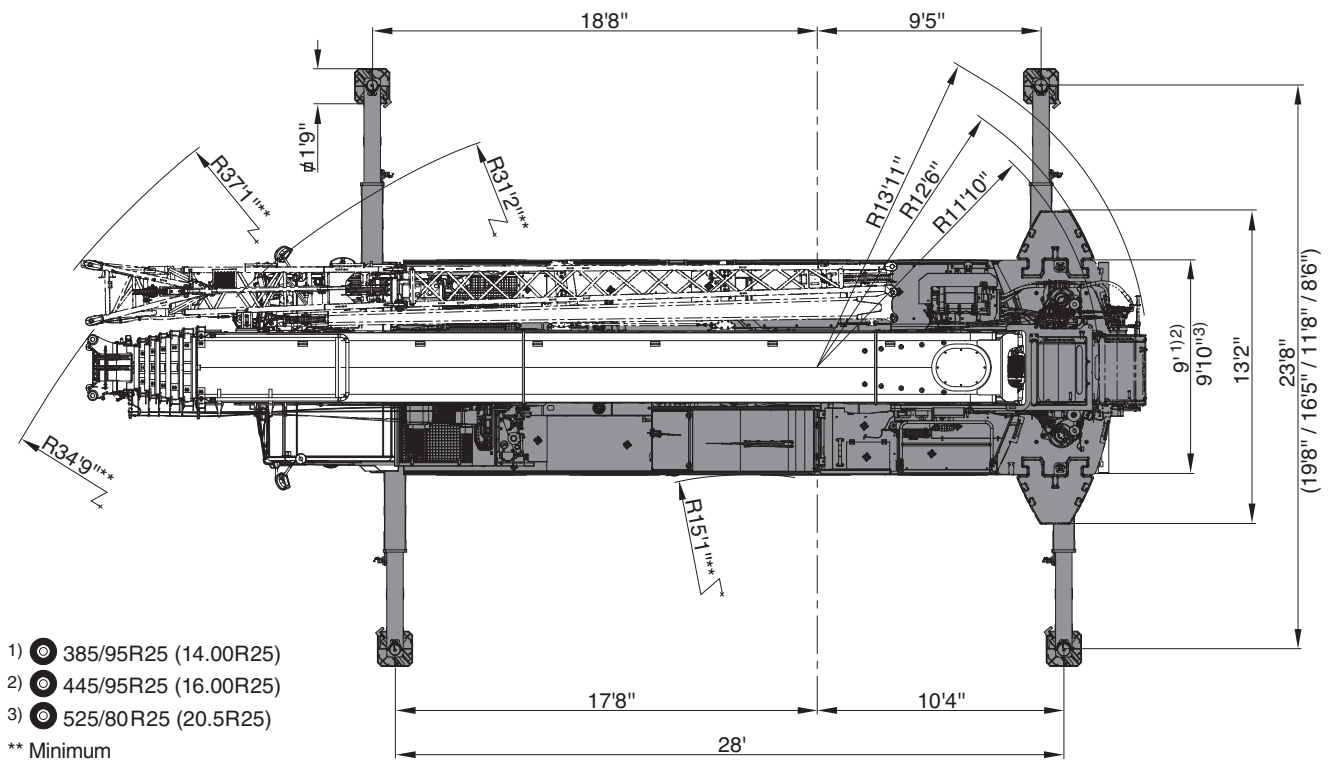
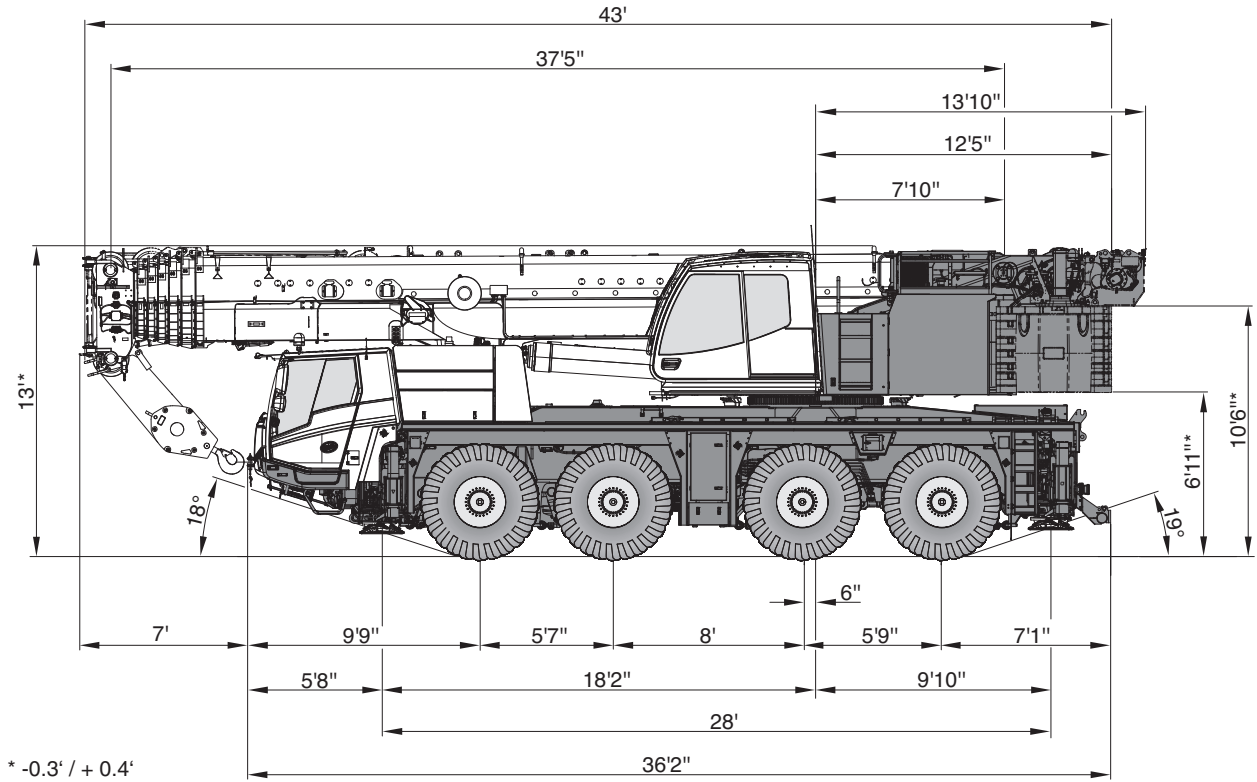
	Counterweight		Boom telescoping
	Lifting capacities on outriggers · 360°		Boom elevation
	Radius		Working speeds
	Main boom		Slewing
	Folding swing-away jib		Max. line pull
	Runner		Rope diameter
	Max. axle loads		Rope length
	Mechanism		Hook block
	Tires		Number of lines
	Hook block		Possible load of hook block
	Hoist		Weight of hook block
	Travel speed		Distance head sheave axle – hook ground
	Gradeability %		Number of sheaves in hook block
	Off road / On road		Max. outrigger load
			Length of stroke (support cylinders)

GENERAL TECHNICAL DATA



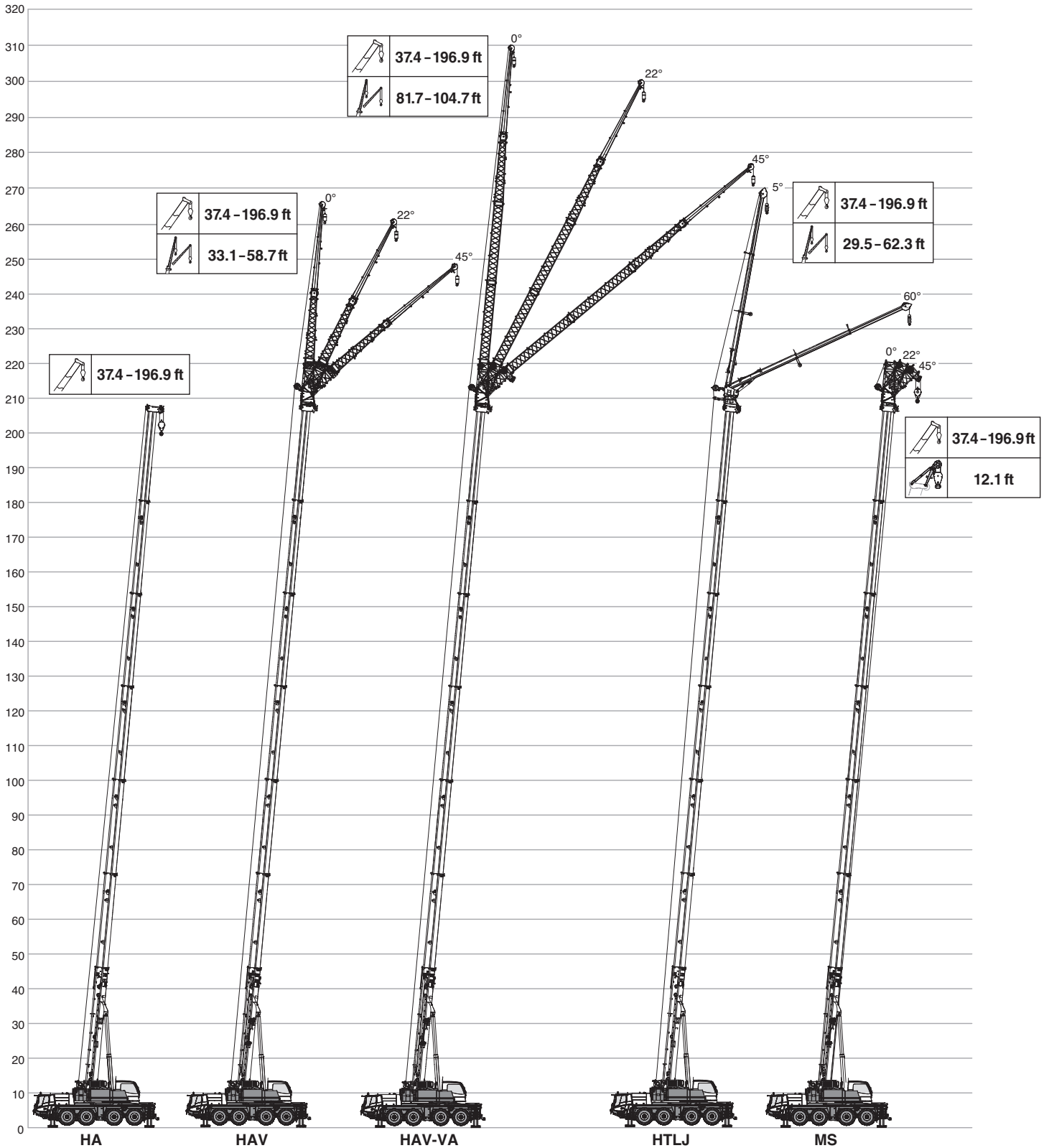
General

Vehicle dimensions

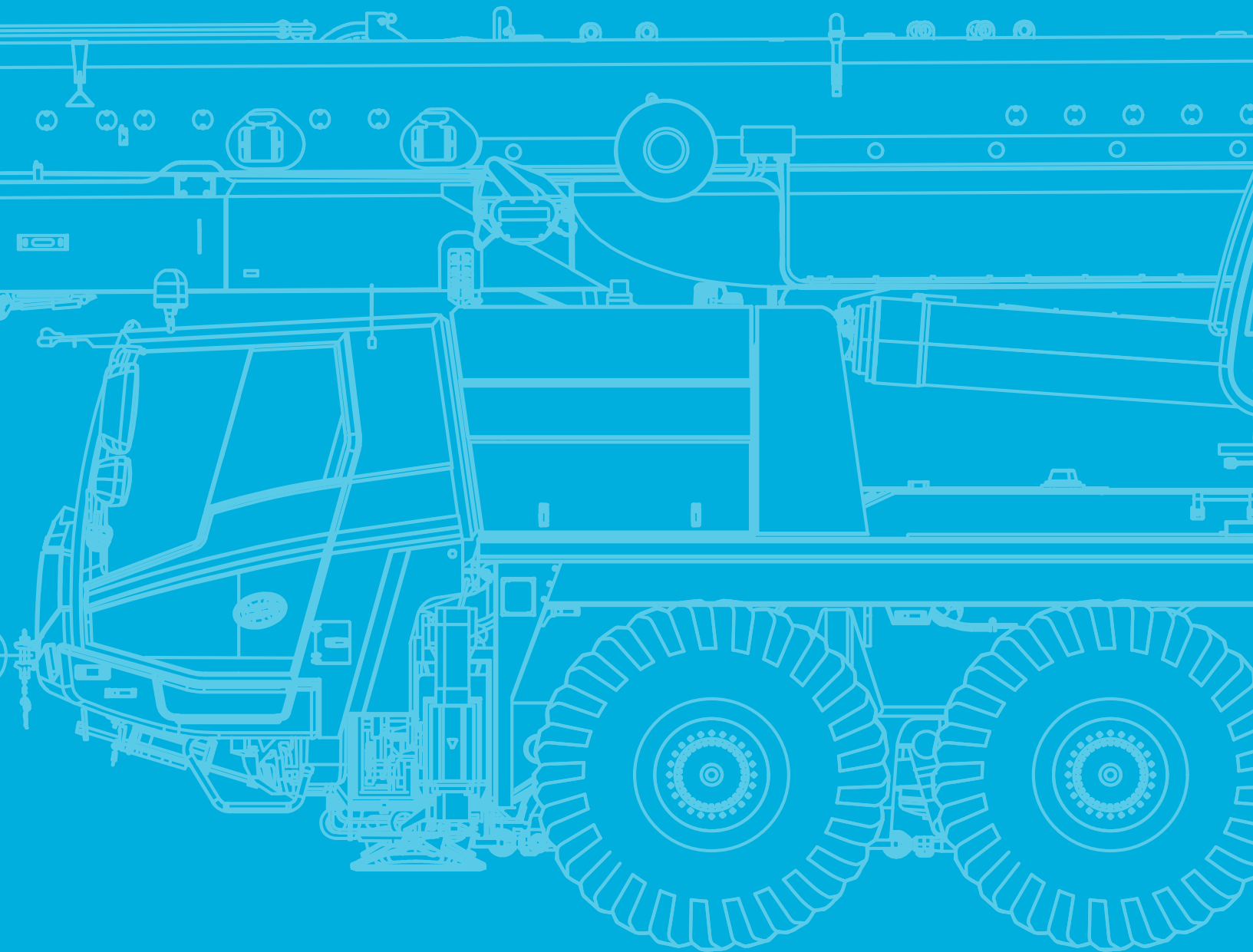


General

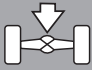





Boom combinations








TECHNICAL DATA FOR ON-ROAD AND OFF-ROAD DRIVING












On-road and off-road driving

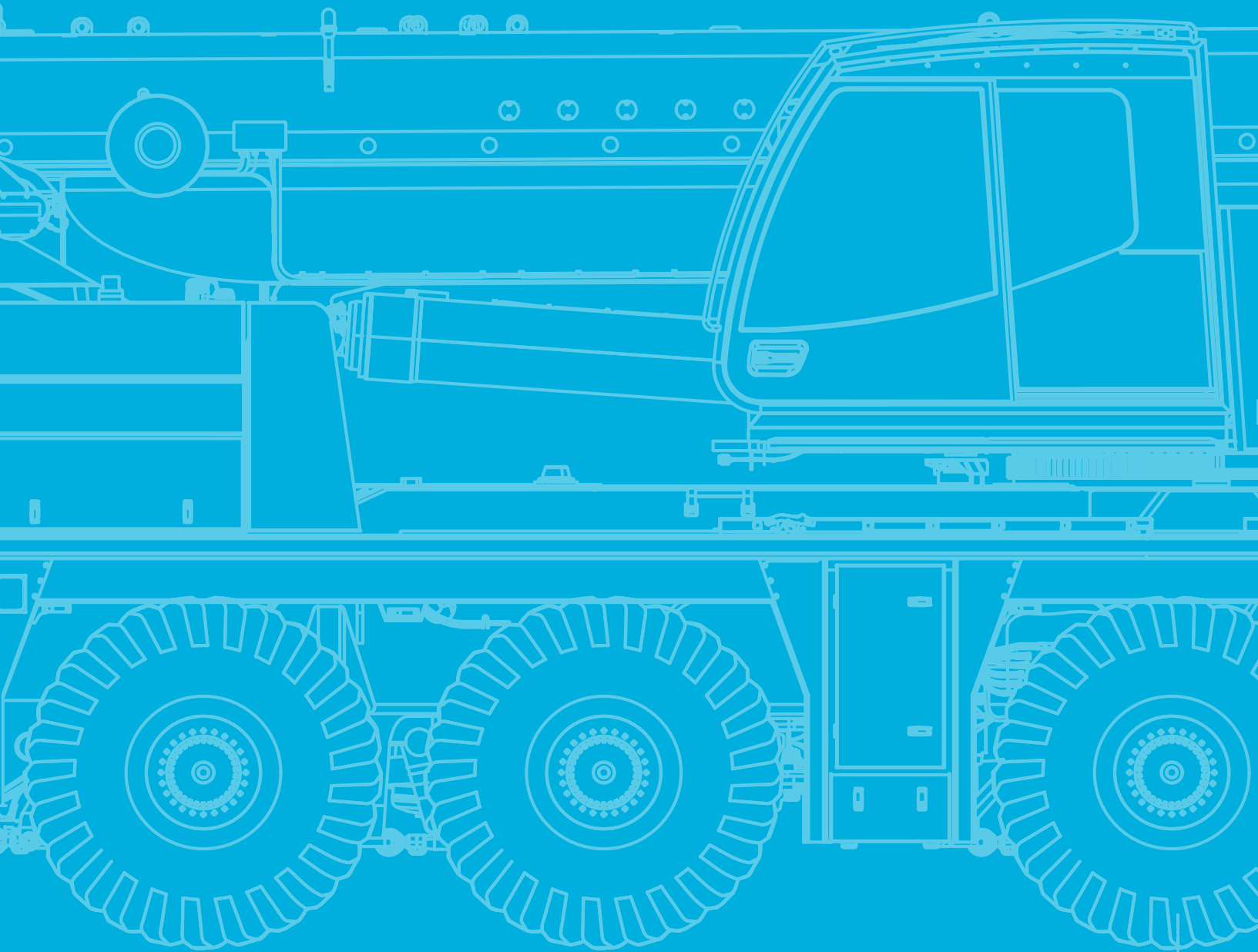
Axle loads						
	Total					
< 26,500 lbs	< 105,800 lbs	8 x 6	445/95R25	70,600 lbs	–	6,900 lbs
< 28,700 lbs	< 114,600 lbs	8 x 6	445/95R25	138,900/22,050 lbs	58.7 ft	10,600 lbs
< 36,400 lbs	< 132,300 lbs	8 x 6	445/95R25	138,900/22,050 lbs	58.7 ft	40,500 lbs

Speeds and gradeability			
	385/95 R 25 14.00 R 25	445/95 R 25 16.00 R 25	525/80 R 25 20.50 R 25
 %	33 %	30 %	30 %
 %	74 %	65 %	65 %
 mph ¹⁾	49.7 mph ¹⁾	52.8 mph ¹⁾	52.8 mph ¹⁾
 mph ¹⁾	29.2 mph ¹⁾	31.7 mph ¹⁾	31.7 mph ¹⁾

¹⁾ Depending on tire type, size and country specific legislation

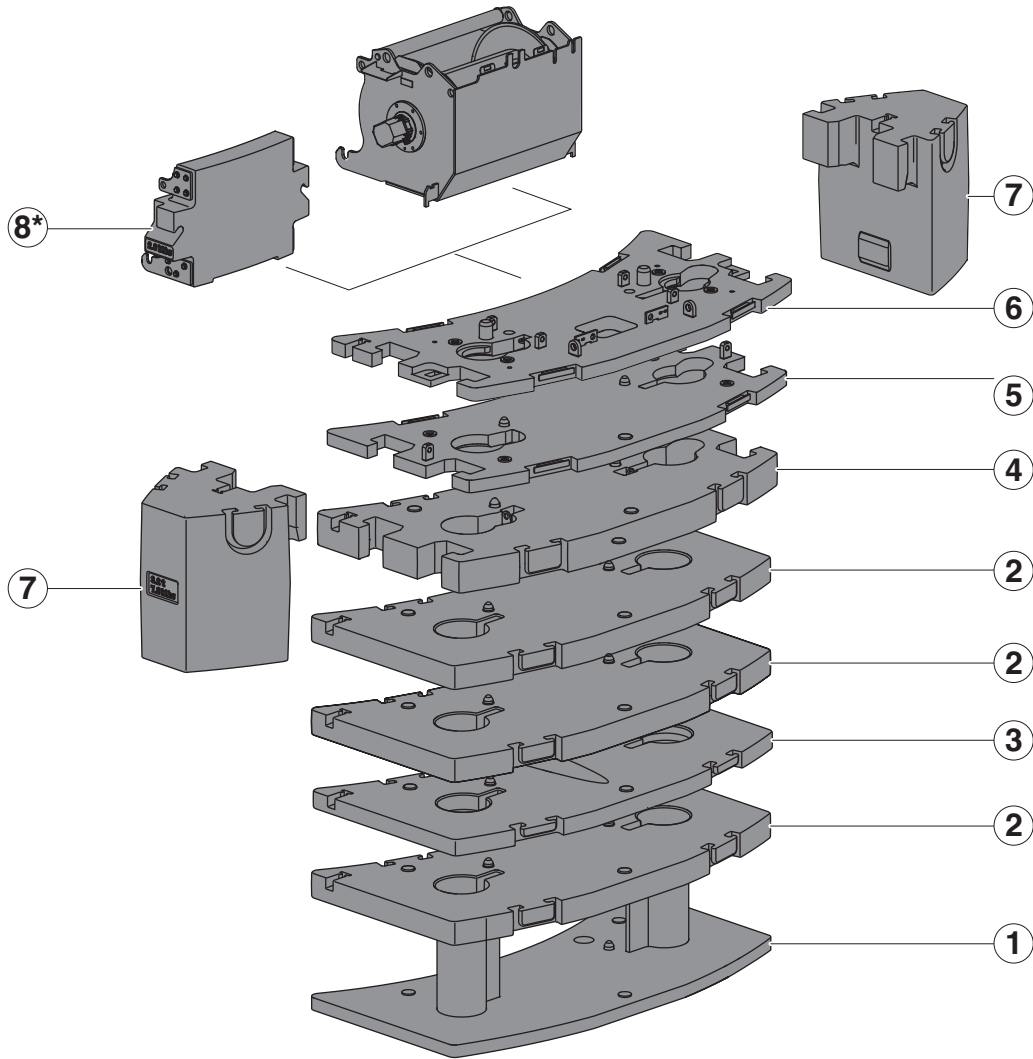
Steering	
	 v < 15.5 mph
	 15.5 mph ≤ v ≤ 24.9 mph
	 v > 24.9 mph
	 Manually steered
	 Minimum turning radius
	 Crab steer mode
	 Rear veering suppression

TECHNICAL DATA FOR TRANSPORT



Transportation

Counterweight



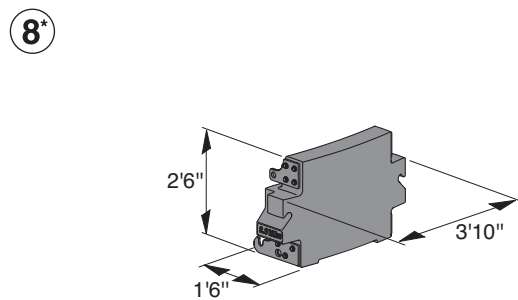
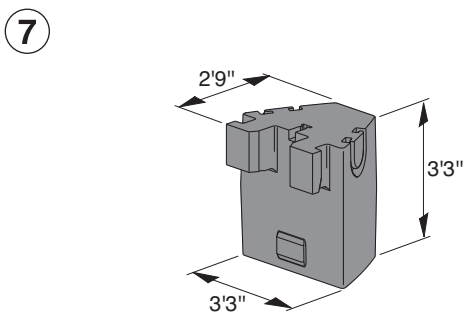
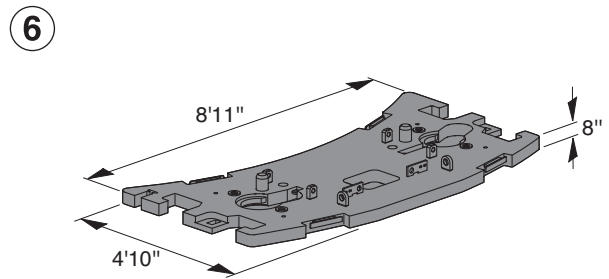
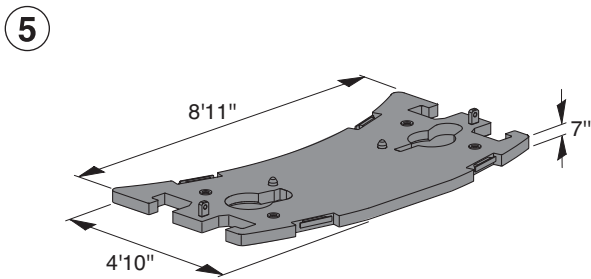
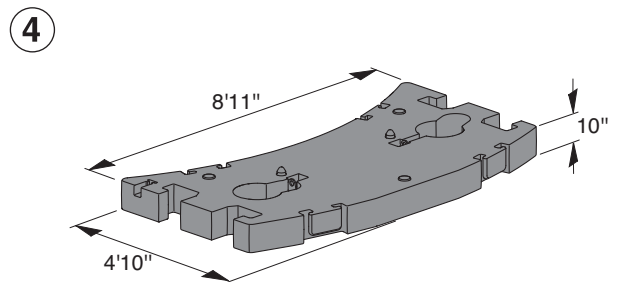
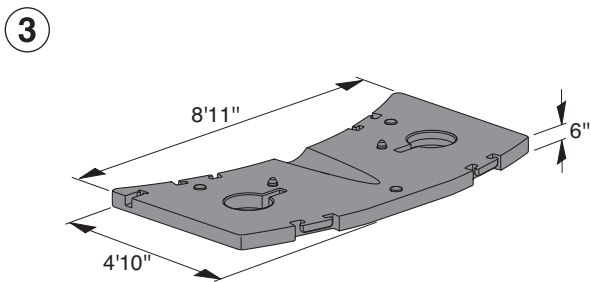
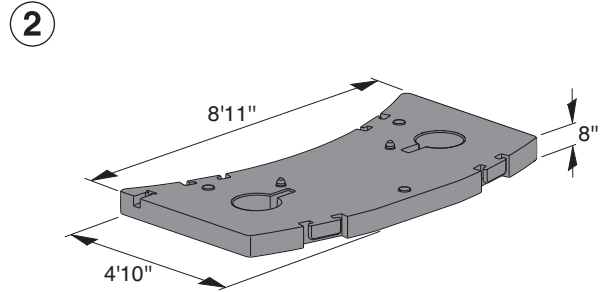
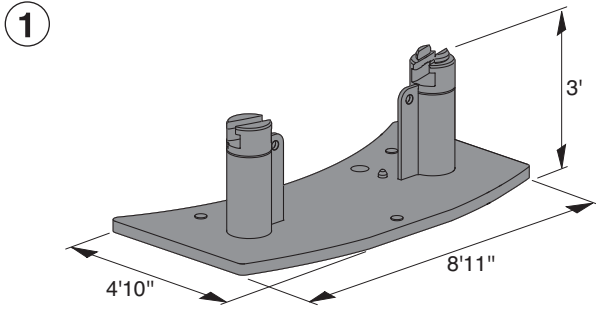
Configurations

	6,900 lbs	10,600 lbs	12,900 lbs	16,600 lbs	20,400 lbs	24,100 lbs	25,500 lbs	29,200 lbs	33,000 lbs	36,700 lbs	40,500 lbs	44,200 lbs	49,300 lbs	53,000 lbs	67,000 lbs
① 6,000 lbs			1	1	1	1	1	1	1	1	1	1	1	1	1
② 7,500 lbs					1	1	1	1	2	2	3	3	3	3	3
③ 5,100 lbs							1	1	1	1	1	1	1	1	1
④ 8,800 lbs													1	1	1
⑤ 3,700 lbs		1		1		1		1		1		1		1	1
⑥ 4,000 lbs	1	1	1	1	1	1	1	1	1	1	1	1	1	1	1
⑦ 7,100 lbs															2
⑧* 2,900 lbs	1	1	1	1	1	1	1	1	1	1	1	1	1	1	1

* Can be replaced by 2nd hoist

Transportation

Counterweight

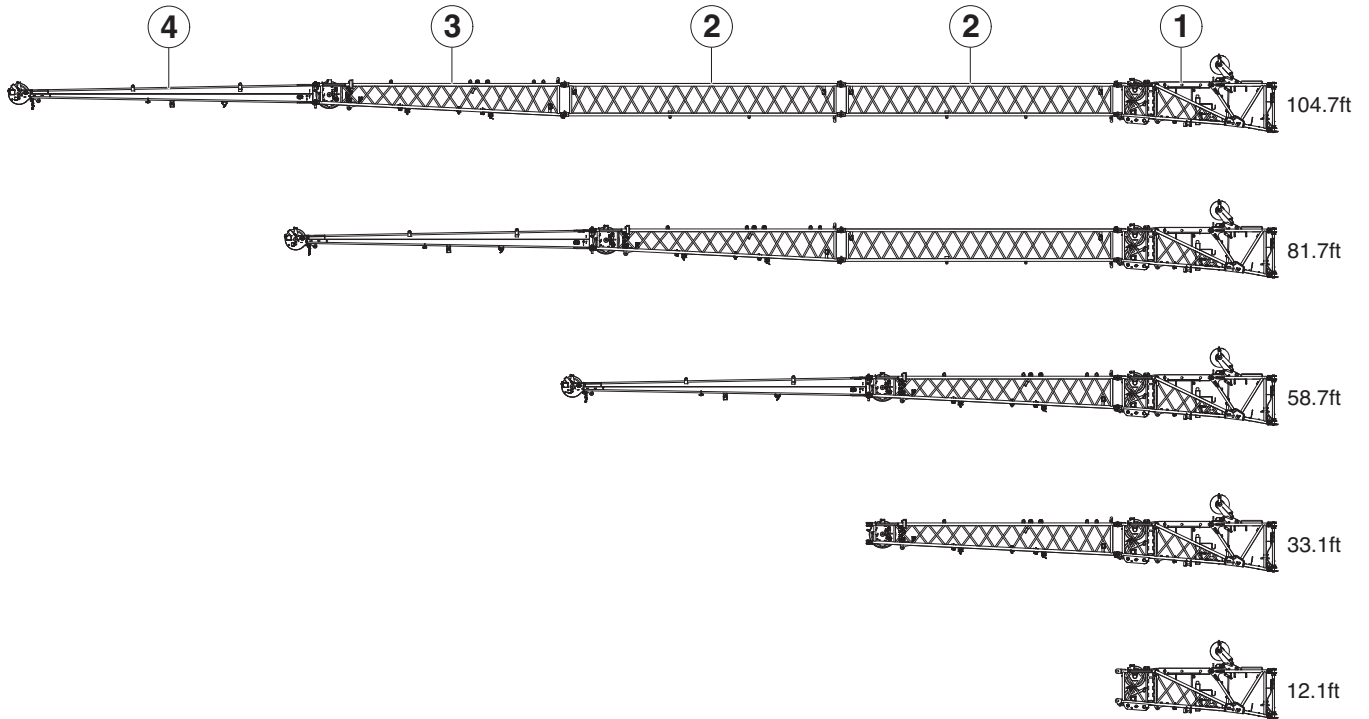


* Can be replaced by 2nd hoist

Transportation

Jib

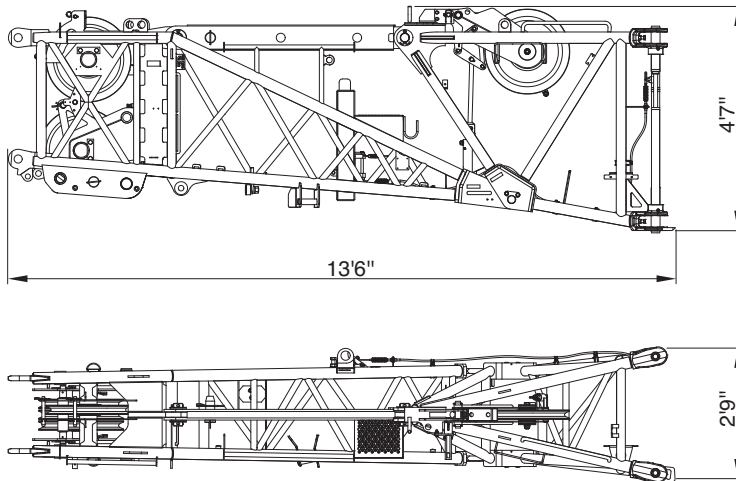
HAV



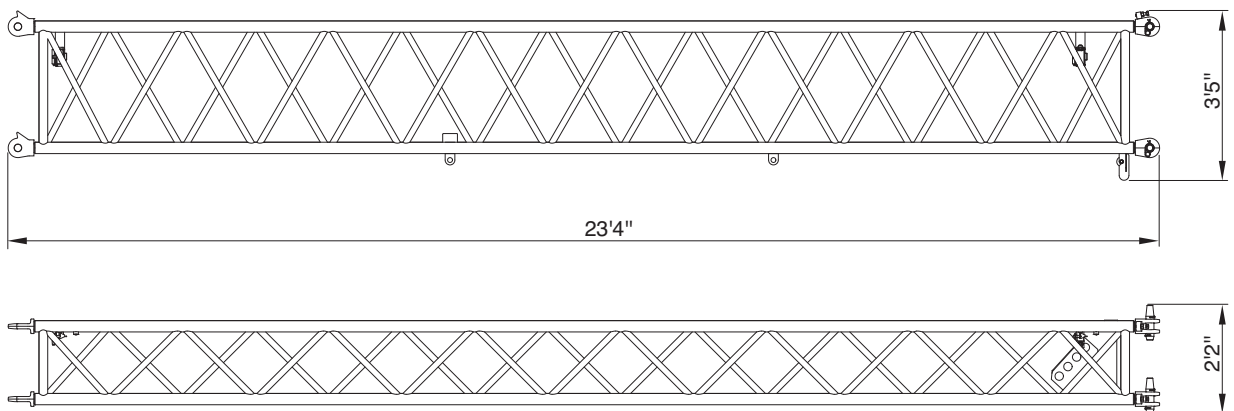
Transportation

Jib

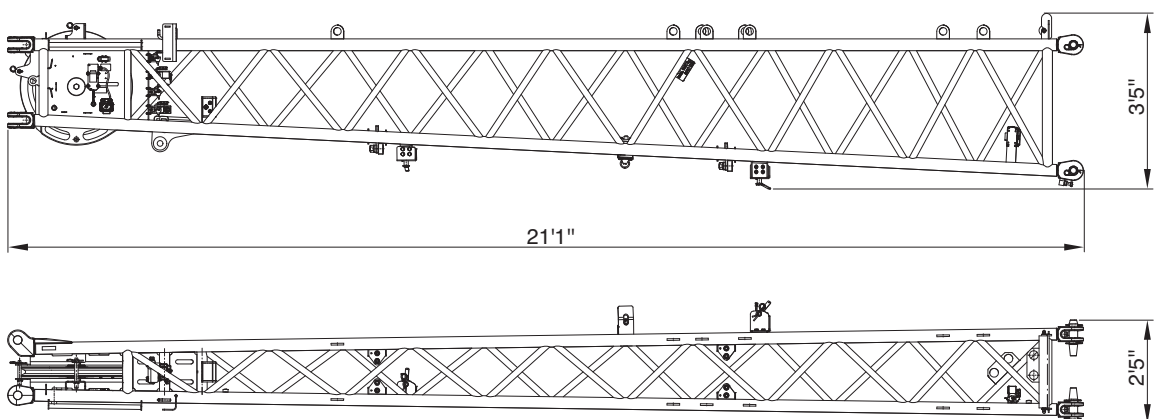
1
lbs
1,850



2
lbs
1,100



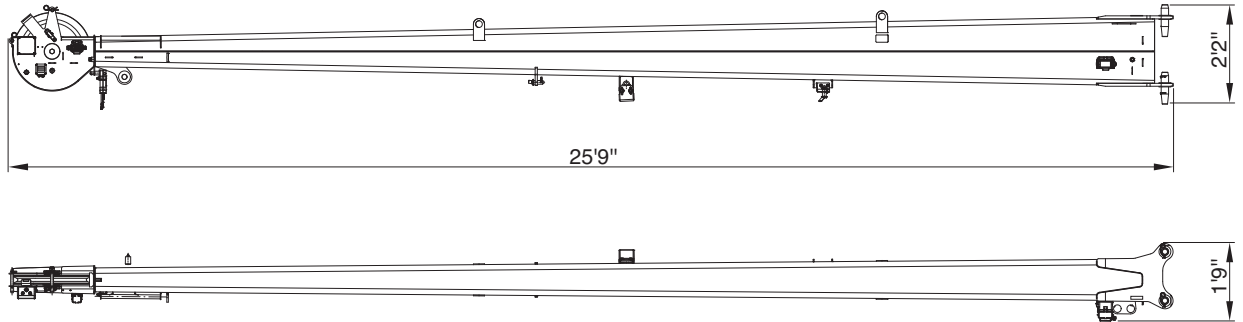
3
lbs
1,000



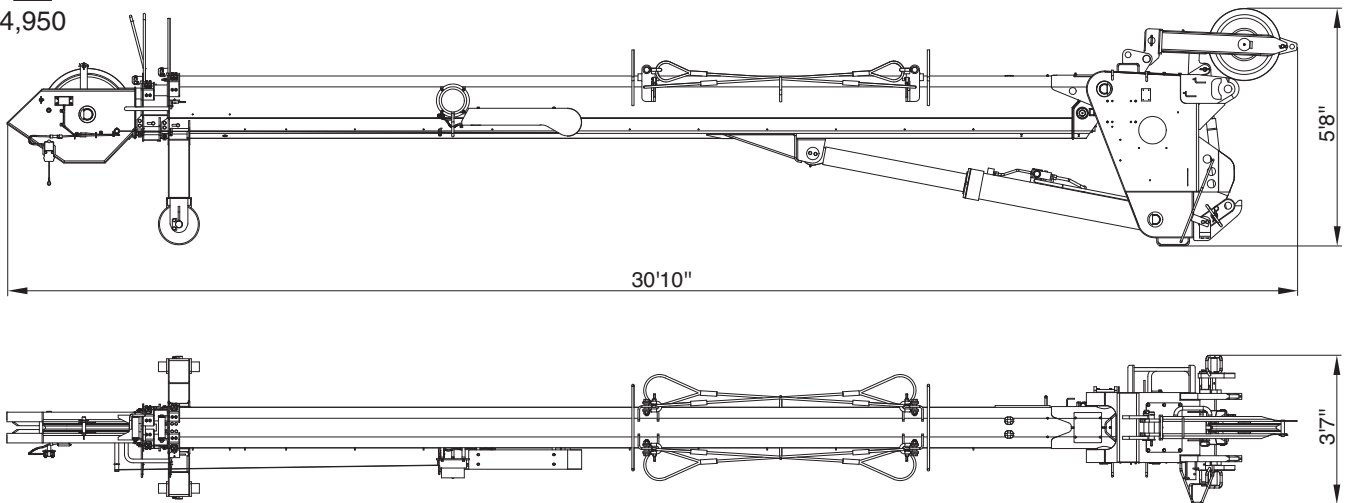
Transportation

Jib

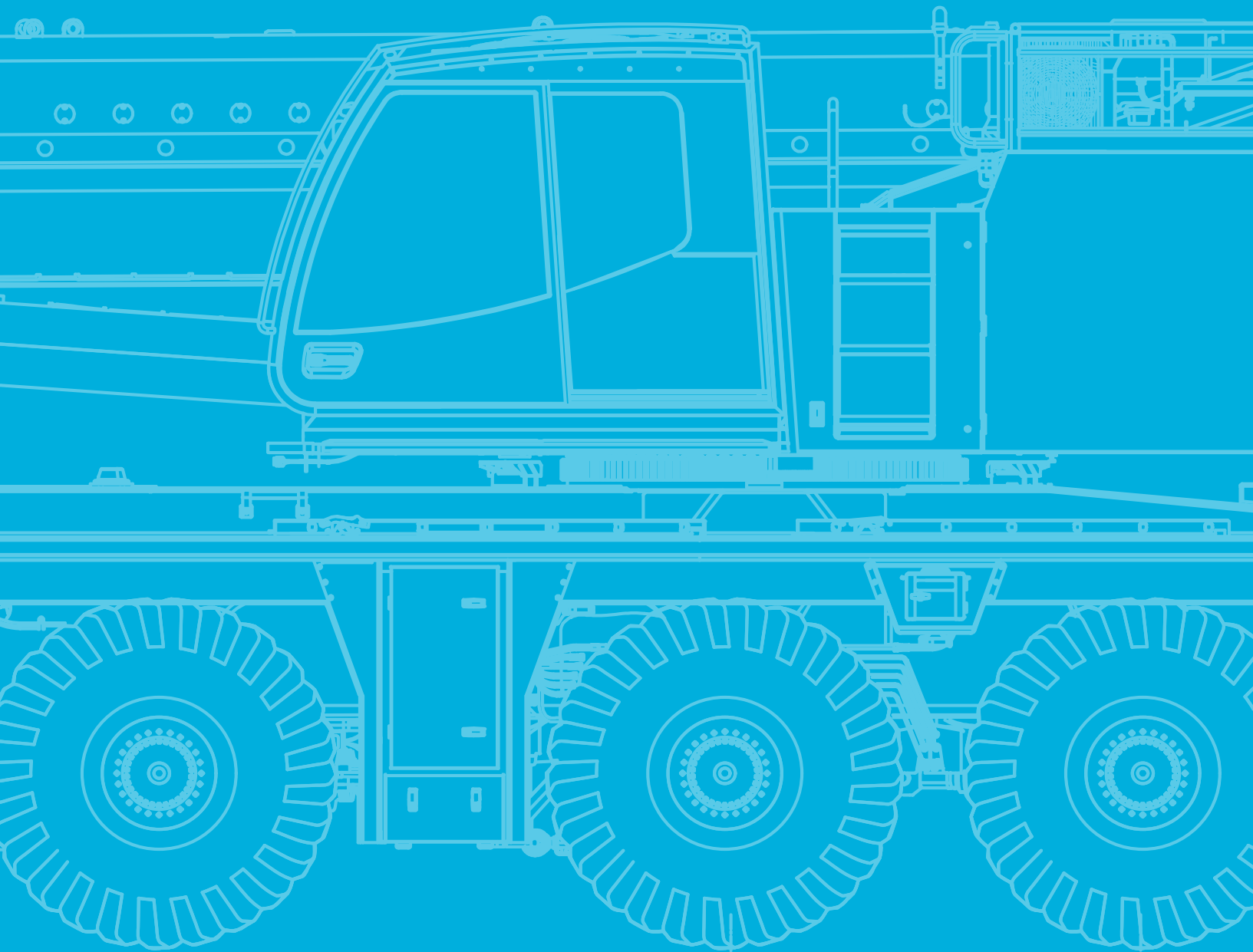
4
lbs
1,000



lbs
4,950



TECHNICAL DATA FOR OPERATION



Operation

Main boom



approx. 560 s (37.4 ft - 196.9 ft)



approx. 45 s (-1° - 84,7°)

Slewing



0 - 2 min⁻¹

Hoist



1

377 ft/min

19,109 lbf

0.83"

820 ft

2

377 ft/min

19,109 lbf

0.83"

820 ft

Outrigger cylinders



105,800 lbs

143,300 lbs



23.6"

23.6"

Hook Blocks



22,050 lbs

19,100

-

1

660

70,600 lbs

56,400

1

3

990

138,900 lbs

130,100

3

7

1,320

220,500 lbs

202,200

5

11

1,760

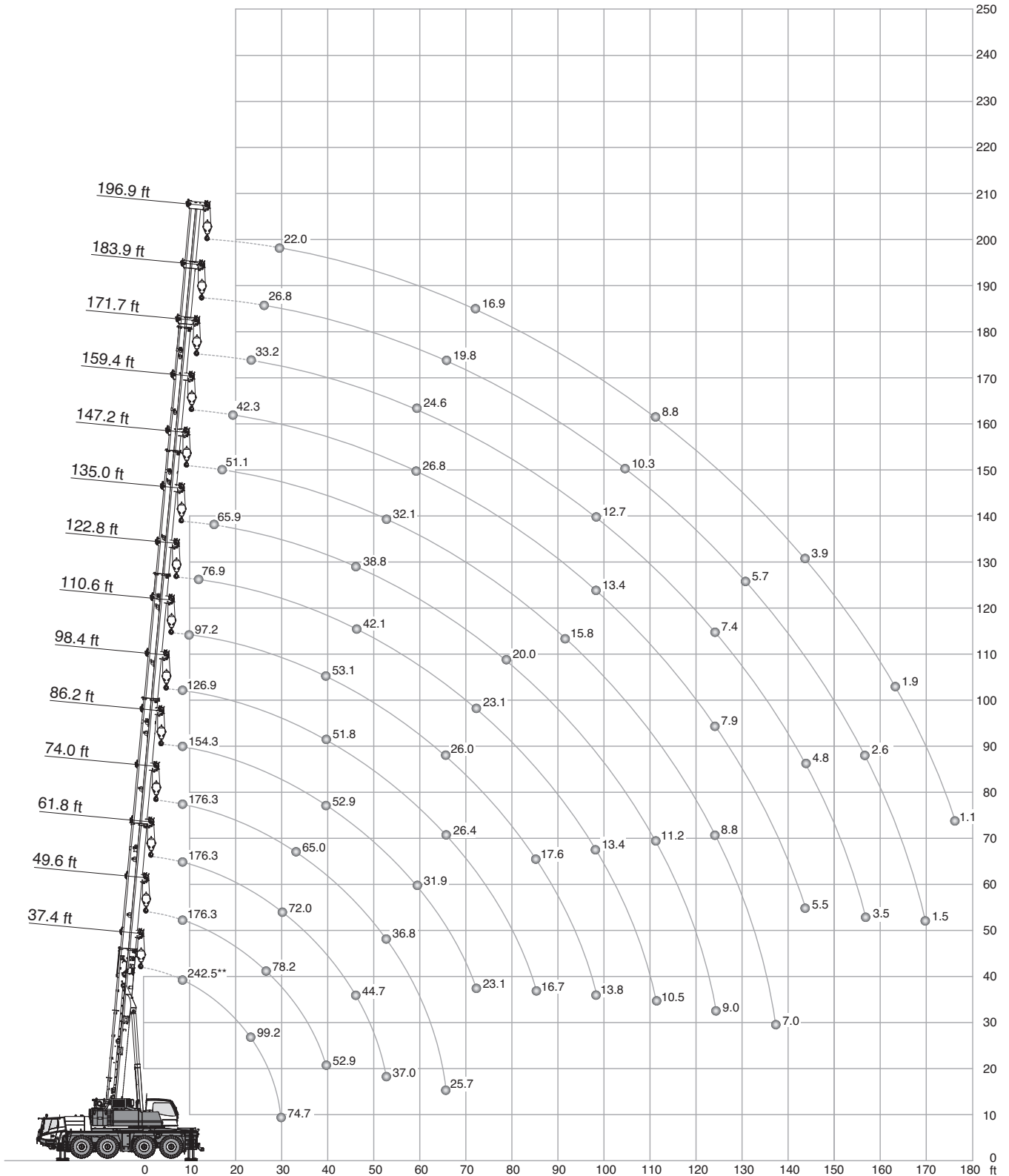
352,800 lbs

220,500

7

12

2,870



** Max. crane capacity – with additional special equipment

Operation

HA

67,000 lbs		23.6 ft x 28.0 ft														360°		ASME B30.5	
37.4*		37.4	49.6	61.8	74.0	86.2	98.4	110.6	122.8	135.0	147.2	159.4	171.7	183.9	196.9				
ft		1,000 lbs														ft			
8.2	242.5**	182.1	176.3	176.3	176.3	154.3	126.9	-	-	-	-	-	-	-	-	-	8.2		
9.8	196.8	164.6	164.6	164.4	163.8	154.3	126.9	97.2	-	-	-	-	-	-	-	-	9.8		
11.5	185.1	149.9	150.1	150.7	150.3	149.6	126.9	95.0	76.9	-	-	-	-	-	-	-	11.5		
13.1	174.6	137.3	137.3	138.2	137.7	136.9	126.1	91.2	79.1	-	-	-	-	-	-	-	13.1		
14.8	160.0	126.3	126.5	127.4	126.9	126.1	123.6	87.5	76.2	65.9	-	-	-	-	-	-	14.8		
16.4	143.0	116.8	116.8	117.7	117.5	118.3	117.5	83.7	73.6	64.5	51.1	-	-	-	-	-	16.4		
19.7	117.7	100.9	101.1	102.0	103.1	102.7	101.8	78.9	67.9	59.9	52.2	42.3	-	-	-	-	19.7		
23.0	99.2	88.4	88.4	89.5	90.8	90.1	89.2	73.4	62.8	55.7	49.3	41.0	33.2	-	-	-	23.0		
26.2	85.5	78.2	78.2	80.4	80.4	80.0	78.9	70.3	58.4	51.8	46.5	39.4	33.2	26.8	-	-	26.2		
29.5	74.7	69.8	69.8	72.0	72.0	71.4	70.5	65.0	58.4	48.5	43.6	38.1	32.1	26.8	22.0	-	29.5		
32.8	-	-	62.8	65.0	65.0	64.5	63.4	60.8	54.8	48.0	41.2	37.2	31.3	26.8	22.0	-	32.8		
36.1	-	-	57.0	59.0	59.0	58.4	57.5	57.5	51.5	46.0	39.0	35.0	30.2	26.8	22.0	-	36.1		
39.4	-	-	52.9	53.5	53.5	52.9	51.8	53.1	48.5	43.4	38.8	33.5	30.2	26.0	22.0	-	39.4		
45.9	-	-	-	44.7	44.7	44.0	45.4	43.8	42.1	38.8	35.2	32.4	27.3	24.4	22.0	-	45.9		
52.5	-	-	-	37.0	36.8	38.3	37.6	36.3	35.2	34.3	32.1	29.5	27.1	22.9	20.5	-	52.5		
59.1	-	-	-	-	32.1	31.9	31.0	30.8	29.9	29.3	29.5	26.8	24.6	21.3	19.1	-	59.1		
65.6	-	-	-	-	25.7	26.8	26.4	26.0	25.1	25.7	25.5	24.6	22.9	19.8	18.0	-	65.6		
72.2	-	-	-	-	-	23.1	22.4	22.9	23.1	23.1	21.8	21.8	21.1	18.5	16.9	-	72.2		
78.7	-	-	-	-	-	-	19.4	20.2	19.8	20.0	19.1	18.9	19.4	17.1	15.8	-	78.7		
85.3	-	-	-	-	-	-	16.7	17.6	17.6	17.4	17.6	17.4	16.9	15.8	14.7	-	85.3		
91.9	-	-	-	-	-	-	-	15.6	15.4	15.4	15.8	15.2	14.7	13.8	13.6	-	91.9		
98.4	-	-	-	-	-	-	-	13.8	13.4	14.3	14.1	13.4	12.7	11.9	11.9	-	98.4		
105.0	-	-	-	-	-	-	-	-	11.9	12.5	12.3	11.6	11.2	10.3	10.3	-	105.0		
111.5	-	-	-	-	-	-	-	-	10.5	11.2	11.0	10.3	9.7	9.0	8.8	-	111.5		
118.1	-	-	-	-	-	-	-	-	-	10.1	9.7	9.0	8.5	7.7	7.7	-	118.1		
124.7	-	-	-	-	-	-	-	-	-	9.0	8.8	7.9	7.4	6.6	6.6	-	124.7		
131.2	-	-	-	-	-	-	-	-	-	-	7.7	7.0	6.3	5.7	5.5	-	131.2		
137.8	-	-	-	-	-	-	-	-	-	-	-	7.0	6.1	5.7	4.8	-	137.8		
144.4	-	-	-	-	-	-	-	-	-	-	-	-	5.5	4.8	3.9	-	144.4		
150.9	-	-	-	-	-	-	-	-	-	-	-	-	-	4.1	3.3	-	150.9		
157.5	-	-	-	-	-	-	-	-	-	-	-	-	-	3.5	2.6	-	157.5		
164.0	-	-	-	-	-	-	-	-	-	-	-	-	-	-	2.2	-	164.0		
170.6	-	-	-	-	-	-	-	-	-	-	-	-	-	-	1.5	-	170.6		
177.2	-	-	-	-	-	-	-	-	-	-	-	-	-	-	-	1.1	177.2		

* over rear

** Max. crane capacity – with additional special equipment

Operation

HA

53,000 lbs		23.6 ft x 28.0 ft														360°		ASME B30.5	
37.4*		37.4	49.6	61.8	74.0	86.2	98.4	110.6	122.8	135.0	147.2	159.4	171.7	183.9	196.9				
ft		1,000 lbs														ft			
8.2	214.2	181.4	176.3	176.3	176.3	154.3	126.9	-	-	-	-	-	-	-	-	-	8.2		
9.8	200.8	164.0	164.0	163.8	162.9	154.3	126.9	97.2	-	-	-	-	-	-	-	-	9.8		
11.5	188.9	149.0	149.2	150.1	149.6	148.8	126.9	95.0	76.9	-	-	-	-	-	-	-	11.5		
13.1	173.2	136.4	136.4	137.3	136.9	136.0	126.1	91.2	79.1	-	-	-	-	-	-	-	13.1		
14.8	153.2	125.4	125.4	126.3	125.8	125.0	123.6	87.5	76.2	65.9	-	-	-	-	-	-	14.8		
16.4	136.9	115.7	115.9	116.8	116.4	117.5	116.6	83.7	73.6	64.5	51.1	-	-	-	-	-	16.4		
19.7	112.4	99.8	99.8	100.9	102.0	101.6	100.7	78.9	67.9	59.9	52.2	42.3	-	-	-	-	19.7		
23.0	95.0	87.3	87.3	88.8	89.5	89.0	87.9	73.4	62.8	55.7	49.3	41.0	33.2	-	-	-	23.0		
26.2	81.5	77.1	77.1	79.3	79.3	78.7	77.8	70.3	58.4	51.8	46.5	39.4	33.2	26.8	-	-	26.2		
29.5	71.4	68.5	68.5	70.9	70.9	70.3	67.4	64.5	58.4	48.5	43.6	38.1	32.1	26.8	22.0	-	29.5		
32.8	-	-	61.0	63.2	63.2	62.6	58.8	58.6	54.8	48.0	41.2	37.2	31.3	26.8	22.0	-	32.8		
36.1	-	-	55.9	56.8	56.8	55.3	54.6	51.8	49.6	46.0	39.0	35.0	30.2	26.8	22.0	-	36.1		
39.4	-	-	49.8	50.9	50.9	49.1	49.3	46.2	44.3	43.2	38.8	33.5	30.2	26.0	22.0	-	39.4		
45.9	-	-	-	39.6	39.4	41.2	40.3	39.0	37.0	35.2	35.0	32.4	27.3	24.4	22.0	-	45.9		
52.5	-	-	-	31.7	33.5	33.0	32.6	32.1	30.8	31.0	29.7	29.1	27.1	22.9	20.5	-	52.5		
59.1	-	-	-	-	27.5	27.3	26.6	27.1	27.1	27.3	25.7	24.6	24.6	21.3	19.1	-	59.1		
65.6	-	-	-	-	21.8	22.9	22.2	23.3	23.1	22.9	22.2	22.2	21.3	19.8	18.0	-	65.6		
72.2	-	-	-	-	-	19.6	19.4	19.8	19.6	19.4	20.0	19.6	18.5	17.1	16.7	-	72.2		
78.7	-	-	-	-	-	-	17.4	16.9	16.7	17.6	17.4	16.7	16.3	14.9	14.5	-	78.7		
85.3	-	-	-	-	-	-	15.2	14.7	14.5	15.2	15.2	14.5	13.8	13.0	12.5	-	85.3		
91.9	-	-	-	-	-	-	-	13.4	12.5	13.4	13.2	12.5	11.9	11.2	11.0	-	91.9		
98.4	-	-	-	-	-	-	-	12.3	11.0	11.6	11.4	10.8	10.3	9.4	9.4	-	98.4		
105.0	-	-	-	-	-	-	-	-	9.7	10.3	10.1	9.4	8.8	7.9	7.9	-	105.0		
111.5	-	-	-	-	-	-	-	-	8.5	9.0	8.8	8.1	7.7	6.8	6.8	-	111.5		
118.1	-	-	-	-	-	-	-	-	-	8.1	7.7	7.0	6.6	5.7	5.7	-	118.1		
124.7	-	-	-	-	-	-	-	-	-	7.0	6.8	6.1	5.5	4.6	4.6	-	124.7		
131.2	-	-	-	-	-	-	-	-	-	-	5.9	5.2	4.6	3.9	3.7	-	131.2		
137.8	-	-	-	-	-	-	-	-	-	-	5.2	4.4	3.9	3.0	3.0	-	137.8		
144.4	-	-	-	-	-	-	-	-	-	-	-	3.7	3.3	2.4	2.4	-	144.4		
150.9	-	-	-	-	-	-	-	-	-	-	-	-	2.6	1.7	1.7	-	150.9		
157.5	-	-	-	-	-	-	-	-	-	-	-	-	1.9	1.3	1.1	-	157.5		

* over rear

Operation

HA

49,300 lbs		23.6 ft x 28.0 ft														360°		ASME B30.5	
37.4*		37.4	49.6	61.8	74.0	86.2	98.4	110.6	122.8	135.0	147.2	159.4	171.7	183.9	196.9				
ft		1,000 lbs														ft			
8.2	217.5	180.3	176.3	176.3	176.3	154.3	126.9	-	-	-	-	-	-	-	-	-	8.2		
9.8	204.1	162.7	162.9	162.7	161.8	154.3	126.9	97.2	-	-	-	-	-	-	-	-	9.8		
11.5	190.6	147.9	147.9	148.8	148.3	147.4	126.9	95.0	76.9	-	-	-	-	-	-	-	11.5		
13.1	166.0	135.1	135.1	136.0	135.5	134.7	126.1	91.2	79.1	-	-	-	-	-	-	-	13.1		
14.8	146.6	124.1	124.1	125.0	124.7	123.8	123.6	87.5	76.2	65.9	-	-	-	-	-	-	14.8		
16.4	131.1	114.4	114.4	115.5	115.0	116.1	115.3	83.7	73.6	64.5	51.1	-	-	-	-	-	16.4		
19.7	107.5	98.3	98.5	99.4	100.7	100.0	98.7	78.9	67.9	59.9	52.2	42.3	-	-	-	-	19.7		
23.0	90.6	85.7	85.9	88.1	88.1	87.3	81.1	73.4	62.8	55.7	49.3	41.0	33.2	-	-	-	23.0		
26.2	78.0	74.9	74.9	77.3	77.3	73.1	68.3	67.2	58.4	51.8	46.5	39.4	33.2	26.8	-	-	26.2		
29.5	67.9	65.6	65.6	68.3	66.3	62.6	61.7	57.9	55.3	48.5	43.6	38.1	32.1	26.8	22.0	-	29.5		
32.8	-	-	58.8	59.9	57.5	54.4	54.2	52.0	48.2	46.7	41.2	37.2	31.3	26.8	22.0	-	32.8		
36.1	-	-	49.6	50.9	50.4	50.4	47.8	46.0	43.6	41.4	39.0	35.0	30.2	26.8	22.0	-	36.1		
39.4	-	-	42.5	43.6	44.0	44.9	42.5	41.2	38.8	38.1	37.0	33.5	30.2	26.0	22.0	-	39.4		
45.9	-	-	-	34.6	35.2	35.0	34.3	34.1	32.1	32.6	31.0	29.5	27.3	24.4	22.0	-	45.9		
52.5	-	-	-	27.7	28.2	27.9	27.1	27.7	28.2	27.3	25.7	26.0	24.6	22.9	20.5	-	52.5		
59.1	-	-	-	-	23.1	22.9	23.1	23.1	22.9	22.9	23.3	22.0	20.9	19.4	18.9	-	59.1		
65.6	-	-	-	-	17.8	18.9	19.6	19.1	19.1	19.8	19.8	18.9	17.8	16.5	16.0	-	65.6		
72.2	-	-	-	-	-	16.0	16.5	16.5	16.0	16.7	16.7	16.0	15.2	13.8	13.6	-	72.2		
78.7	-	-	-	-	-	-	14.1	14.9	13.6	14.3	14.1	13.4	13.0	11.9	11.6	-	78.7		
85.3	-	-	-	-	-	-	12.1	13.0	11.6	12.3	12.1	11.4	11.0	10.1	9.9	-	85.3		
91.9	-	-	-	-	-	-	-	11.2	9.9	10.5	10.5	9.7	9.2	8.3	8.3	-	91.9		
98.4	-	-	-	-	-	-	-	9.9	8.5	9.2	9.0	8.3	7.9	7.0	7.0	-	98.4		
105.0	-	-	-	-	-	-	-	-	7.2	7.9	7.7	7.0	6.6	5.7	5.7	-	105.0		
111.5	-	-	-	-	-	-	-	-	6.3	7.0	6.8	6.1	5.5	4.8	4.6	-	111.5		
118.1	-	-	-	-	-	-	-	-	-	6.1	5.7	5.0	4.6	3.7	3.7	-	118.1		
124.7	-	-	-	-	-	-	-	-	-	5.2	5.0	4.4	3.7	2.8	2.8	-	124.7		
131.2	-	-	-	-	-	-	-	-	-	-	4.1	3.5	3.0	2.2	2.2	-	131.2		
137.8	-	-	-	-	-	-	-	-	-	-	3.7	2.8	2.4	1.5	1.5	-	137.8		
144.4	-	-	-	-	-	-	-	-	-	-	-	2.4	1.7	-	-	-	144.4		
150.9	-	-	-	-	-	-	-	-	-	-	-	-	1.1	-	-	-	150.9		

* over rear

Operation

HA

44,200 lbs		23.6 ft x 28.0 ft														360°		ASME B30.5	
37.4*		37.4	49.6	61.8	74.0	86.2	98.4	110.6	122.8	135.0	147.2	159.4	171.7	183.9	196.9				
ft		1,000 lbs														ft			
8.2	225.7	177.0	176.3	175.9	175.7	154.3	126.9	-	-	-	-	-	-	-	-	-	8.2		
9.8	200.6	159.1	159.3	159.1	158.2	154.3	126.9	97.2	-	-	-	-	-	-	-	-	9.8		
11.5	171.0	144.1	144.4	145.2	144.8	143.9	126.9	95.0	76.9	-	-	-	-	-	-	-	11.5		
13.1	148.8	131.1	131.1	132.0	131.8	126.7	113.3	91.2	79.1	-	-	-	-	-	-	-	13.1		
14.8	131.3	119.9	120.1	121.0	118.6	107.3	96.7	87.5	76.2	65.9	-	-	-	-	-	-	14.8		
16.4	117.2	110.2	110.4	107.5	101.6	92.5	83.9	80.9	73.6	64.5	51.1	-	-	-	-	-	16.4		
19.7	94.3	91.9	85.7	83.7	78.0	73.4	70.1	65.9	60.8	57.0	52.2	42.3	-	-	-	-	19.7		
23.0	72.5	71.2	69.6	66.5	63.0	61.2	57.3	55.1	50.2	49.6	46.2	41.0	33.2	-	-	-	23.0		
26.2	52.9	52.4	55.5	54.4	54.2	51.1	48.0	46.5	44.9	42.9	40.3	37.9	33.2	26.8	-	-	26.2		
29.5	40.7	40.7	44.3	46.5	45.8	43.6	41.0	40.5	39.0	37.0	36.8	33.2	30.4	26.8	22.0	-	29.5		
32.8	-	-	35.9	37.9	38.5	37.6	36.1	35.2	33.9	33.5	32.1	30.2	28.4	26.4	22.0	-	32.8		
36.1	-	-	29.5	31.5	32.1	31.9	32.6	31.0	29.7	29.7	28.4	26.6	24.9	22.9	22.0	-	36.1		
39.4	-	-	24.9	26.6	27.1	27.1	27.9	27.3	26.4	26.4	25.3	23.5	22.0	20.2	19.4	-	39.4		
45.9	-	-	-	19.8	21.3	20.0	20.9	22.0	20.2	21.1	20.0	18.7	17.4	15.6	15.2	-	45.9		
52.5	-	-	-	15.2	16.5	16.7	16.0	17.1	15.6	16.5	16.3	14.9	13.8	12.3	11.9	-	52.5		
59.1	-	-	-	-	13.2	13.4	12.7	13.6	12.1	13.0	12.7	12.1	11.0	9.7	9.2	-	59.1		
65.6	-	-	-	-	8.1	10.8	10.1	11.0	9.4	10.3	10.1	9.4	8.8	7.4	7.2	-	65.6		
72.2	-	-	-	-	-	8.8	8.1	9.0	7.4	8.3	8.1	7.4	6.8	5.7	5.5	-	72.2		
78.7	-	-	-	-	-	-	6.3	7.2	5.9	6.6	6.6	5.9	5.2	4.1	3.9	-	78.7		
85.3	-	-	-	-	-	-	5.2	5.9	4.6	5.2	5.0	4.4	3.9	3.0	2.8	-	85.3		
91.9	-	-	-	-	-	-	-	4.8	3.5	4.1	3.9	3.3	2.8	1.9	1.7	-	91.9		
98.4	-	-	-	-	-	-	-	3.9	2.6	3.3	3.0	2.4	1.9	1.1	-	-	98.4		
105.0	-	-	-	-	-	-	-	-	1.7	2.4	2.2	1.5	1.1	-	-	-	105.0		
111.5	-	-	-	-	-	-	-	-	1.3	1.7	1.5	-	-	-	-	-	111.5		
118.1	-	-	-	-	-	-	-	-	-	1.3	-	-	-	-	-	-	118.1		

* over rear

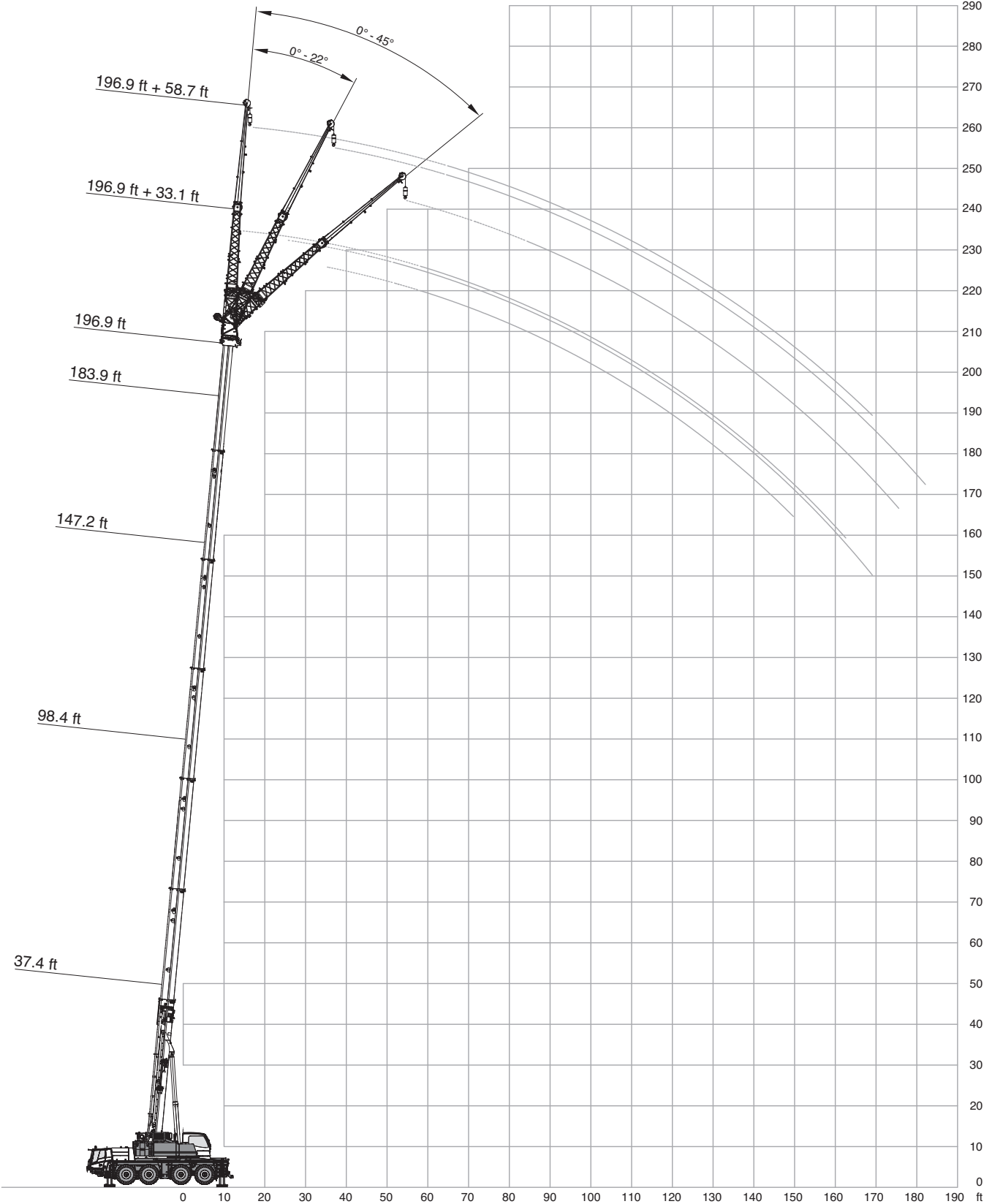
Operation

HA

40,500 lbs		23.6 ft x 28.0 ft														360°	ASME B30.5
37.4*		37.4	49.6	61.8	74.0	86.2	98.4	110.6	122.8	135.0	147.2	159.4	171.7	183.9	196.9		
ft		1,000 lbs														ft	
8.2	226.8	176.5	175.9	175.4	175.2	154.3	126.9	-	-	-	-	-	-	-	-	8.2	
9.8	197.7	158.7	158.7	158.5	157.8	154.3	126.9	97.2	-	-	-	-	-	-	-	9.8	
11.5	168.6	143.5	143.7	144.6	144.1	139.1	126.9	95.0	76.9	-	-	-	-	-	-	11.5	
13.1	146.6	130.5	130.7	131.6	129.4	119.7	106.7	91.2	79.1	-	-	-	-	-	-	13.1	
14.8	129.4	119.2	119.4	120.1	111.9	101.1	91.0	83.7	76.2	65.9	-	-	-	-	-	14.8	
16.4	115.5	108.9	108.9	104.2	95.6	87.3	83.3	76.0	70.3	64.5	51.1	-	-	-	-	16.4	
19.7	88.4	88.4	83.3	78.7	73.4	71.2	66.1	61.9	57.3	54.6	51.3	42.3	-	-	-	19.7	
23.0	66.3	65.4	65.2	62.3	61.5	57.7	53.7	51.8	49.1	47.3	44.3	39.4	33.2	-	-	23.0	
26.2	48.0	48.0	52.0	52.0	50.9	48.2	44.9	44.0	42.3	40.3	37.6	35.2	32.8	26.8	-	26.2	
29.5	38.1	37.2	40.7	42.9	42.9	41.0	38.8	38.1	36.3	35.7	34.3	32.1	30.2	26.8	22.0	29.5	
32.8	-	-	32.8	34.8	35.4	35.2	34.8	33.0	31.7	31.5	29.9	27.9	26.2	24.0	22.0	32.8	
36.1	-	-	26.8	28.8	29.5	29.3	30.2	28.8	27.5	27.5	26.2	24.4	22.9	20.9	20.0	36.1	
39.4	-	-	22.4	24.4	26.0	24.6	25.5	26.6	24.2	24.2	23.1	21.6	20.0	18.2	17.6	39.4	
45.9	-	-	-	17.8	19.4	19.8	18.9	20.0	18.5	19.1	18.2	16.9	15.6	14.1	13.4	45.9	
52.5	-	-	-	13.6	14.9	15.2	14.5	15.6	14.1	14.9	14.7	13.4	12.3	10.8	10.3	52.5	
59.1	-	-	-	-	11.9	12.1	11.4	12.3	10.8	11.6	11.4	10.8	9.7	8.3	7.9	59.1	
65.6	-	-	-	-	7.0	9.7	8.8	9.7	8.3	9.2	9.0	8.3	7.4	6.3	5.9	65.6	
72.2	-	-	-	-	-	7.7	7.0	7.9	6.3	7.2	7.0	6.3	5.9	4.6	4.4	72.2	
78.7	-	-	-	-	-	-	5.5	6.3	5.0	5.7	5.5	4.8	4.4	3.3	3.0	78.7	
85.3	-	-	-	-	-	-	4.4	5.0	3.7	4.4	4.4	3.5	3.0	2.2	1.9	85.3	
91.9	-	-	-	-	-	-	-	3.9	2.6	3.5	3.3	2.6	1.9	1.1	-	91.9	
98.4	-	-	-	-	-	-	-	3.0	1.9	2.6	2.4	1.7	1.1	-	-	98.4	
105.0	-	-	-	-	-	-	-	-	1.1	1.7	1.5	-	-	-	-	105.0	
111.5	-	-	-	-	-	-	-	-	-	1.1	-	-	-	-	-	111.5	

* over rear

Operation



Operation

67,000 lbs			23.6 ft x 28.0 ft			33.1 ft			360°			ASME B30.5			
37.4 ft		98.4 ft			147.2 ft			183.9 ft			196.9 ft				
0°	22°	45°	0°	22°	45°	0°	22°	45°	0°	22°	45°	0°	22°	45°	
1,000 lbs															
ft														ft	
11.5	-	33.0	-	-	-	-	-	-	-	-	-	-	-	-	11.5
13.1	-	33.0	-	-	-	-	-	-	-	-	-	-	-	-	13.1
14.8	-	33.0	-	-	-	-	-	-	-	-	-	-	-	-	14.8
16.4	-	33.0	-	-	-	-	-	-	-	-	-	-	-	-	16.4
19.7	-	32.8	-	-	33.0	-	-	-	-	-	-	-	-	-	19.7
23.0	-	30.2	20.9	-	32.1	-	-	-	-	-	-	-	-	-	23.0
26.2	33.0	27.7	20.0	-	30.6	-	-	-	-	-	-	-	-	-	26.2
29.5	31.7	25.7	19.1	-	29.5	20.5	-	-	-	-	-	-	-	-	29.5
32.8	28.4	24.2	18.2	-	28.2	20.0	-	15.4	-	-	-	-	-	-	32.8
36.1	25.7	22.7	17.6	-	28.2	19.6	-	15.4	-	-	-	-	-	-	36.1
39.4	23.5	21.3	16.9	-	27.1	19.1	-	15.4	-	-	-	-	-	-	39.4
45.9	20.0	19.4	16.0	-	25.3	18.2	15.4	15.4	15.4	-	12.5	-	-	-	45.9
52.5	17.4	17.8	15.6	31.5	23.8	17.4	15.4	15.4	15.4	-	12.5	-	-	11.2	52.5
59.1	15.2	16.7	-	29.1	22.4	16.7	15.4	15.4	15.4	12.5	12.5	12.5	11.2	11.2	59.1
65.6	-	-	-	25.5	21.1	16.3	15.4	15.4	15.2	12.5	12.5	12.5	11.2	11.2	65.6
72.2	-	-	-	21.6	20.2	15.8	15.4	15.4	14.5	12.5	12.5	12.5	11.2	10.8	72.2
78.7	-	-	-	18.5	18.9	15.4	15.4	15.4	13.8	12.5	12.5	11.9	11.0	10.1	78.7
85.3	-	-	-	15.8	16.9	14.9	14.5	14.5	13.4	11.9	11.9	11.2	10.3	9.7	85.3
91.9	-	-	-	14.3	14.5	14.7	13.6	14.1	13.0	11.2	11.2	10.8	9.7	9.2	91.9
98.4	-	-	-	13.4	12.5	-	12.5	12.7	12.5	10.5	10.5	10.1	9.2	8.8	98.4
105.0	-	-	-	12.5	11.4	-	11.0	11.0	11.6	9.7	9.9	9.7	8.8	8.3	105.0
111.5	-	-	-	11.2	11.0	-	9.7	10.3	10.1	8.3	9.4	9.2	8.1	7.9	111.5
118.1	-	-	-	9.9	-	-	9.0	9.0	9.4	7.2	8.1	8.8	7.0	7.7	118.1
124.7	-	-	-	-	-	-	8.3	8.1	8.1	6.1	7.0	7.4	5.9	6.8	124.7
131.2	-	-	-	-	-	-	7.2	7.7	-	5.2	5.9	6.3	5.0	5.9	131.2
137.8	-	-	-	-	-	-	6.3	6.8	-	4.4	5.0	5.5	4.1	4.8	137.8
144.4	-	-	-	-	-	-	5.7	6.1	-	3.5	4.1	4.6	3.5	3.9	144.4
150.9	-	-	-	-	-	-	5.0	5.2	-	2.8	3.5	-	2.6	3.3	150.9
157.5	-	-	-	-	-	-	4.4	4.6	-	2.2	2.6	-	1.9	2.6	157.5
164.0	-	-	-	-	-	-	3.7	-	-	1.7	2.2	-	1.5	1.9	164.0
170.6	-	-	-	-	-	-	3.3	-	-	1.1	1.5	-	-	1.3	170.6

Operation

HAV

53,000 lbs			23.6 ft x 28.0 ft			33.1 ft			360°			ASME B30.5					
37.4 ft			98.4 ft			147.2 ft			183.9 ft			196.9 ft					
0°			22°			45°			0°			22°			45°		
ft	1,000 lbs															ft	
11.5	-	33.0	-	-	-	-	-	-	-	-	-	-	-	-	-	-	11.5
13.1	-	33.0	-	-	-	-	-	-	-	-	-	-	-	-	-	-	13.1
14.8	-	33.0	-	-	-	-	-	-	-	-	-	-	-	-	-	-	14.8
16.4	-	33.0	-	-	-	-	-	-	-	-	-	-	-	-	-	-	16.4
19.7	-	32.8	-	-	33.0	-	-	-	-	-	-	-	-	-	-	-	19.7
23.0	-	30.2	20.9	-	32.1	-	-	-	-	-	-	-	-	-	-	-	23.0
26.2	33.0	27.7	20.0	-	30.6	-	-	-	-	-	-	-	-	-	-	-	26.2
29.5	31.7	25.7	19.1	-	29.5	20.5	-	-	-	-	-	-	-	-	-	-	29.5
32.8	28.4	24.2	18.2	-	28.2	20.0	-	15.4	-	-	-	-	-	-	-	-	32.8
36.1	25.7	22.7	17.6	-	28.2	19.6	-	15.4	-	-	-	-	-	-	-	-	36.1
39.4	23.5	21.3	16.9	-	27.1	19.1	-	15.4	-	-	-	-	-	-	-	-	39.4
45.9	20.0	19.4	16.0	-	25.3	18.2	15.4	15.4	15.4	-	12.5	-	-	-	-	-	45.9
52.5	17.4	17.8	15.6	30.2	23.8	17.4	15.4	15.4	15.4	-	12.5	-	-	11.2	-	-	52.5
59.1	15.2	16.7	-	25.5	22.4	16.7	15.4	15.4	15.4	12.5	12.5	12.5	11.2	11.2	11.2	-	59.1
65.6	-	-	-	21.6	20.7	16.3	15.4	15.4	15.2	12.5	12.5	12.5	11.2	11.2	11.0	-	65.6
72.2	-	-	-	18.2	19.6	15.8	15.4	15.4	14.5	12.5	12.5	12.5	11.2	10.8	10.3	-	72.2
78.7	-	-	-	16.3	16.5	15.2	15.4	14.9	13.8	12.5	12.5	11.9	11.0	10.1	9.9	-	78.7
85.3	-	-	-	15.2	14.1	14.7	13.6	13.8	13.4	11.6	11.9	11.2	10.3	9.7	9.4	-	85.3
91.9	-	-	-	13.4	12.5	12.5	11.9	12.3	12.7	9.9	11.2	10.8	9.4	9.2	9.0	-	91.9
98.4	-	-	-	11.6	11.9	-	11.0	11.2	11.0	8.5	9.7	10.1	8.1	8.8	8.5	-	98.4
105.0	-	-	-	10.3	10.8	-	9.9	9.7	10.1	7.2	8.3	9.0	7.0	7.9	8.1	-	105.0
111.5	-	-	-	9.0	9.4	-	8.5	9.0	8.8	6.1	7.0	7.7	5.9	6.8	7.4	-	111.5
118.1	-	-	-	8.3	-	-	7.4	8.1	8.1	5.2	5.9	6.6	4.8	5.7	6.3	-	118.1
124.7	-	-	-	-	-	-	6.3	7.0	7.2	4.1	5.0	5.5	3.9	4.8	5.2	-	124.7
131.2	-	-	-	-	-	-	5.5	5.9	-	3.5	4.1	4.6	3.0	3.9	4.4	-	131.2
137.8	-	-	-	-	-	-	4.8	5.2	-	2.6	3.3	3.7	2.4	3.0	3.5	-	137.8
144.4	-	-	-	-	-	-	4.1	4.4	-	1.9	2.6	2.8	1.7	2.4	2.8	-	144.4
150.9	-	-	-	-	-	-	3.5	3.7	-	1.3	1.9	-	1.1	1.7	2.2	-	150.9
157.5	-	-	-	-	-	-	2.8	3.0	-	-	1.3	-	-	1.1	-	-	157.5
164.0	-	-	-	-	-	-	2.4	-	-	-	-	-	-	-	-	-	164.0
170.6	-	-	-	-	-	-	1.9	-	-	-	-	-	-	-	-	-	170.6

Operation

HAV

40,500 lbs		23.6 ft x 28.0 ft			33.1 ft			360°			ASME B30.5					
37.4 ft		98.4 ft			147.2 ft			183.9 ft			196.9 ft					
0° 22° 45°		0° 22° 45°			0° 22° 45°			0° 22° 45°			0° 22° 45°					
ft	1,000 lbs													ft		
11.5	-	33.0	-	-	-	-	-	-	-	-	-	-	-	-	11.5	
13.1	-	33.0	-	-	-	-	-	-	-	-	-	-	-	-	13.1	
14.8	-	33.0	-	-	-	-	-	-	-	-	-	-	-	-	14.8	
16.4	-	33.0	-	-	-	-	-	-	-	-	-	-	-	-	16.4	
19.7	-	32.8	-	-	33.0	-	-	-	-	-	-	-	-	-	19.7	
23.0	-	30.2	20.9	-	32.1	-	-	-	-	-	-	-	-	-	23.0	
26.2	33.0	27.7	20.0	-	30.6	-	-	-	-	-	-	-	-	-	26.2	
29.5	31.7	25.7	19.1	-	29.5	20.5	-	-	-	-	-	-	-	-	29.5	
32.8	28.4	24.2	18.2	-	28.2	20.0	-	15.4	-	-	-	-	-	-	32.8	
36.1	25.7	22.7	17.6	-	28.2	19.6	-	15.4	-	-	-	-	-	-	36.1	
39.4	23.5	21.3	16.9	-	27.1	19.1	-	15.4	-	-	-	-	-	-	39.4	
45.9	20.0	19.4	16.0	-	25.3	18.2	15.4	15.4	15.4	-	12.5	-	-	-	45.9	
52.5	17.4	17.8	15.6	25.5	23.8	17.4	15.4	15.4	15.4	-	12.5	-	-	11.2	52.5	
59.1	15.2	16.7	-	21.3	21.8	16.7	15.4	15.4	15.4	12.5	12.5	12.5	11.2	11.2	11.2	59.1
65.6	-	-	-	19.1	19.1	16.3	15.4	15.4	15.2	12.5	12.5	12.5	11.2	11.2	11.0	65.6
72.2	-	-	-	16.9	16.0	15.6	14.7	14.9	14.5	12.5	12.5	12.5	11.2	10.8	10.3	72.2
78.7	-	-	-	14.3	13.8	14.1	13.6	13.8	13.8	10.5	12.1	11.9	10.1	10.1	9.9	78.7
85.3	-	-	-	12.3	13.0	12.1	12.1	11.9	12.1	8.8	10.1	11.2	8.5	9.7	9.4	85.3
91.9	-	-	-	10.5	11.2	11.4	10.3	10.5	11.0	7.4	8.5	9.7	7.0	8.3	9.0	91.9
98.4	-	-	-	9.4	9.7	-	8.8	9.7	9.4	6.1	7.2	8.1	5.7	7.0	7.9	98.4
105.0	-	-	-	8.3	8.8	-	7.4	8.3	8.8	5.0	6.1	6.8	4.6	5.7	6.6	105.0
111.5	-	-	-	7.2	7.4	-	6.3	7.0	7.4	3.9	5.0	5.7	3.7	4.6	5.5	111.5
118.1	-	-	-	6.6	-	-	5.5	6.1	6.3	3.0	3.9	4.6	2.8	3.7	4.4	118.1
124.7	-	-	-	-	-	-	4.6	5.2	5.5	2.4	3.0	3.7	1.9	2.8	3.5	124.7
131.2	-	-	-	-	-	-	3.9	4.4	-	1.7	2.4	2.8	1.3	2.2	2.6	131.2
137.8	-	-	-	-	-	-	3.3	3.5	-	1.1	1.5	1.9	-	1.3	1.7	137.8
144.4	-	-	-	-	-	-	2.6	2.8	-	1.1	1.3	-	-	-	1.1	144.4
150.9	-	-	-	-	-	-	1.9	2.4	-	-	-	-	-	-	-	150.9
157.5	-	-	-	-	-	-	1.5	1.7	-	-	-	-	-	-	-	157.5
164.0	-	-	-	-	-	-	1.1	-	-	-	-	-	-	-	-	164.0

10,600 lbs		23.6 ft x 28.0 ft			33.1 ft			360°			ASME B30.5					
37.4 ft		98.4 ft			147.2 ft			183.9 ft			196.9 ft					
0° 22° 45°		0° 22° 45°			0° 22° 45°			0° 22° 45°			0° 22° 45°					
ft	1,000 lbs													ft		
11.5	-	33.0	-	-	-	-	-	-	-	-	-	-	-	-	11.5	
13.1	-	33.0	-	-	-	-	-	-	-	-	-	-	-	-	13.1	
14.8	-	33.0	-	-	-	-	-	-	-	-	-	-	-	-	14.8	
16.4	-	33.0	-	-	-	-	-	-	-	-	-	-	-	-	16.4	
19.7	-	32.8	-	-	33.0	-	-	-	-	-	-	-	-	-	19.7	
23.0	-	30.2	20.9	-	32.1	-	-	-	-	-	-	-	-	-	23.0	
26.2	33.0	27.7	20.0	-	30.6	-	-	-	-	-	-	-	-	-	26.2	
29.5	31.7	25.7	19.1	-	29.5	20.5	-	-	-	-	-	-	-	-	29.5	
32.8	28.4	24.2	18.2	-	28.2	20.0	-	15.4	-	-	-	-	-	-	32.8	
36.1	25.7	22.7	17.6	-	27.3	19.6	-	15.4	-	-	-	-	-	-	36.1	
39.4	23.5	21.3	16.9	-	26.2	19.1	-	15.4	-	-	-	-	-	-	39.4	
45.9	20.0	19.4	16.0	-	20.9	18.2	15.4	15.4	15.4	-	12.5	-	-	-	45.9	
52.5	17.4	17.8	15.6	16.9	17.8	17.4	14.7	15.4	15.4	-	12.5	-	-	11.2	52.5	
59.1	14.3	14.7	-	13.8	14.7	14.5	11.9	13.6	14.1	8.3	10.3	12.1	7.7	9.9	11.2	59.1
65.6	-	-	-	11.6	12.1	12.7	9.7	11.2	12.5	6.3	8.1	9.7	5.9	7.7	9.2	65.6
72.2	-	-	-	9.4	10.5	10.5	7.9	9.2	10.3	4.6	6.1	7.7	4.1	5.9	7.2	72.2
78.7	-	-	-	7.9	8.5	9.2	6.3	7.4	8.3	3.3	4.6	5.9	2.8	4.4	5.7	78.7
85.3	-	-	-	6.3	7.2	7.7	5.0	5.9	6.8	1.9	3.3	4.4	1.7	3.0	4.1	85.3
91.9	-	-	-	5.2	5.9	6.3	3.9	4.8	5.5	1.1	2.2	3.3	-	1.9	2.8	91.9
98.4	-	-	-	4.4	4.8	-	2.8	3.7	4.1	-	1.3	2.2	-	-	1.9	98.4
105.0	-	-	-	3.5	3.9	-	1.9	2.8	3.3	-	-	1.1	-	-	-	105.0
111.5	-	-	-	2.8	3.0	-	1.3	1.9	2.4	-	-	-	-	-	-	111.5
118.1	-	-	-	2.2	-	-	-	1.3	1.5	-	-	-	-	-	-	118.1

Operation

HAV

67,000 lbs			23.6 ft x 28.0 ft			58.7 ft			360°			ASME B30.5			
37.4 ft		98.4 ft			147.2 ft			183.9 ft			196.9 ft				
0°	22°	45°	0°	22°	45°	0°	22°	45°	0°	22°	45°	0°	22°	45°	
1,000 lbs															
ft														ft	
14.8	14.5	-	-	-	-	-	-	-	-	-	-	-	-	-	14.8
16.4	13.8	-	-	-	-	-	-	-	-	-	-	-	-	-	16.4
19.7	12.7	-	-	-	-	-	-	-	-	-	-	-	-	-	19.7
23.0	11.6	-	-	-	-	-	-	-	-	-	-	-	-	-	23.0
26.2	10.8	8.3	-	12.3	-	-	-	-	-	-	-	-	-	-	26.2
29.5	10.1	7.7	-	11.9	-	-	-	-	-	-	-	-	-	-	29.5
32.8	9.4	7.2	-	11.4	7.4	-	-	-	-	-	-	-	-	-	32.8
36.1	8.8	7.0	-	11.0	7.4	-	8.5	-	-	-	-	-	-	-	36.1
39.4	8.3	6.6	-	10.8	7.2	-	8.5	-	-	-	-	-	-	-	39.4
45.9	7.2	5.9	5.2	9.9	6.8	-	8.5	6.3	-	7.7	-	-	7.2	-	45.9
52.5	6.6	5.5	4.8	9.0	6.3	5.0	8.5	6.1	-	7.7	-	-	7.0	-	52.5
59.1	5.9	5.2	4.6	8.3	5.9	4.8	8.3	5.9	-	7.4	5.5	-	7.0	-	59.1
65.6	5.5	4.8	4.4	7.7	5.7	4.8	7.9	5.7	4.6	7.2	5.2	-	6.8	5.2	65.6
72.2	5.0	4.6	4.4	7.2	5.5	4.6	7.4	5.5	4.4	6.8	5.0	-	6.6	5.0	72.2
78.7	4.8	4.4	4.4	6.8	5.2	4.4	7.0	5.2	4.4	6.6	5.0	4.1	6.3	4.8	78.7
85.3	4.6	4.4	-	6.3	5.0	4.4	6.8	5.0	4.1	6.3	4.8	4.1	6.1	4.8	85.3
91.9	-	-	-	5.9	4.8	4.1	6.3	4.8	4.1	6.1	4.6	3.9	5.9	4.6	91.9
98.4	-	-	-	5.7	4.6	4.1	6.1	4.6	4.1	5.9	4.6	3.9	5.7	4.4	98.4
105.0	-	-	-	5.5	4.4	4.1	5.9	4.6	3.9	5.7	4.4	3.9	5.7	4.4	105.0
111.5	-	-	-	5.2	4.4	4.1	5.7	4.4	3.9	5.5	4.4	3.7	5.5	4.1	111.5
118.1	-	-	-	5.0	4.1	3.9	5.5	4.4	3.9	5.2	4.1	3.7	5.2	4.1	118.1
124.7	-	-	-	4.8	4.1	-	5.2	4.1	3.7	5.0	4.1	3.7	5.0	3.9	124.7
131.2	-	-	-	4.6	4.1	-	5.0	4.1	3.7	5.0	3.9	3.7	5.0	3.9	131.2
137.8	-	-	-	4.4	3.9	-	4.8	3.9	3.7	4.8	3.9	3.5	4.6	3.9	137.8
144.4	-	-	-	4.4	-	-	4.6	3.9	3.7	4.1	3.7	3.5	3.9	3.7	144.4
150.9	-	-	-	-	-	-	4.6	3.9	3.7	3.5	3.7	3.5	3.3	3.7	150.9
157.5	-	-	-	-	-	-	4.4	3.7	-	2.8	3.7	3.5	2.6	3.5	157.5
164.0	-	-	-	-	-	-	4.1	3.7	-	2.2	3.0	3.5	1.9	2.8	164.0
170.6	-	-	-	-	-	-	3.7	3.7	-	1.7	2.4	2.8	1.5	2.4	170.6
177.2	-	-	-	-	-	-	3.3	3.5	-	1.1	1.9	-	-	1.7	177.2
183.7	-	-	-	-	-	-	2.8	3.0	-	-	1.3	-	-	1.3	183.7
190.3	-	-	-	-	-	-	2.4	-	-	-	-	-	-	-	190.3
196.9	-	-	-	-	-	-	1.9	-	-	-	-	-	-	-	196.9

Operation

53,000 lbs			23.6 ft x 28.0 ft			58.7 ft			360°			ASME B30.5					
37.4 ft			98.4 ft			147.2 ft			183.9 ft			196.9 ft					
0°			22°			45°			0°			22°			45°		
ft	1,000 lbs															ft	
14.8	14.5	-	-	-	-	-	-	-	-	-	-	-	-	-	-	-	14.8
16.4	13.8	-	-	-	-	-	-	-	-	-	-	-	-	-	-	-	16.4
19.7	12.7	-	-	-	-	-	-	-	-	-	-	-	-	-	-	-	19.7
23.0	11.6	-	-	-	-	-	-	-	-	-	-	-	-	-	-	-	23.0
26.2	10.8	8.3	-	12.3	-	-	-	-	-	-	-	-	-	-	-	-	26.2
29.5	10.1	7.7	-	11.9	-	-	-	-	-	-	-	-	-	-	-	-	29.5
32.8	9.4	7.2	-	11.4	7.4	-	-	-	-	-	-	-	-	-	-	-	32.8
36.1	8.8	7.0	-	11.0	7.4	-	8.5	-	-	-	-	-	-	-	-	-	36.1
39.4	8.3	6.6	-	10.8	7.2	-	8.5	-	-	-	-	-	-	-	-	-	39.4
45.9	7.2	5.9	5.2	9.9	6.8	-	8.5	6.3	-	7.7	-	-	7.2	-	-	-	45.9
52.5	6.6	5.5	4.8	9.0	6.3	5.0	8.5	6.1	-	7.7	-	-	7.0	-	-	-	52.5
59.1	5.9	5.2	4.6	8.3	5.9	4.8	8.3	5.9	-	7.4	5.5	-	7.0	-	-	-	59.1
65.6	5.5	4.8	4.4	7.7	5.7	4.8	7.9	5.7	4.6	7.2	5.2	-	6.8	5.2	-	-	65.6
72.2	5.0	4.6	4.4	7.2	5.5	4.6	7.4	5.5	4.4	6.8	5.0	-	6.6	5.0	-	-	72.2
78.7	4.8	4.4	4.4	6.8	5.2	4.4	7.0	5.2	4.4	6.6	5.0	4.1	6.3	4.8	-	-	78.7
85.3	4.6	4.4	-	6.3	5.0	4.4	6.8	5.0	4.1	6.3	4.8	4.1	6.1	4.8	4.1	-	85.3
91.9	-	-	-	5.9	4.8	4.1	6.3	4.8	4.1	6.1	4.6	3.9	5.9	4.6	3.9	-	91.9
98.4	-	-	-	5.7	4.6	4.1	6.1	4.6	4.1	5.9	4.6	3.9	5.7	4.4	3.9	-	98.4
105.0	-	-	-	5.5	4.4	4.1	5.9	4.6	3.9	5.7	4.4	3.9	5.7	4.4	3.7	-	105.0
111.5	-	-	-	5.2	4.4	4.1	5.7	4.4	3.9	5.5	4.4	3.7	5.5	4.1	3.7	-	111.5
118.1	-	-	-	5.0	4.1	3.9	5.5	4.4	3.9	5.2	4.1	3.7	5.2	4.1	3.7	-	118.1
124.7	-	-	-	4.8	4.1	-	5.2	4.1	3.7	4.6	4.1	3.7	4.4	3.9	3.7	-	124.7
131.2	-	-	-	4.6	4.1	-	5.0	4.1	3.7	3.9	3.9	3.7	3.5	3.9	3.5	-	131.2
137.8	-	-	-	4.4	3.9	-	4.8	3.9	3.7	3.0	3.9	3.5	2.8	3.9	3.5	-	137.8
144.4	-	-	-	4.4	-	-	4.6	3.9	3.7	2.4	3.7	3.5	2.2	3.3	3.5	-	144.4
150.9	-	-	-	-	-	-	3.9	3.7	3.7	1.9	2.8	3.5	1.5	2.6	3.5	-	150.9
157.5	-	-	-	-	-	-	3.3	3.7	-	1.3	2.2	2.8	1.1	1.9	2.8	-	157.5
164.0	-	-	-	-	-	-	2.8	3.5	-	-	1.7	2.2	-	1.5	2.2	-	164.0
170.6	-	-	-	-	-	-	2.4	2.8	-	-	1.1	1.5	-	-	1.5	-	170.6
177.2	-	-	-	-	-	-	1.9	2.4	-	-	-	-	-	-	-	-	177.2
183.7	-	-	-	-	-	-	1.5	1.7	-	-	-	-	-	-	-	-	183.7
190.3	-	-	-	-	-	-	1.1	-	-	-	-	-	-	-	-	-	190.3

Operation

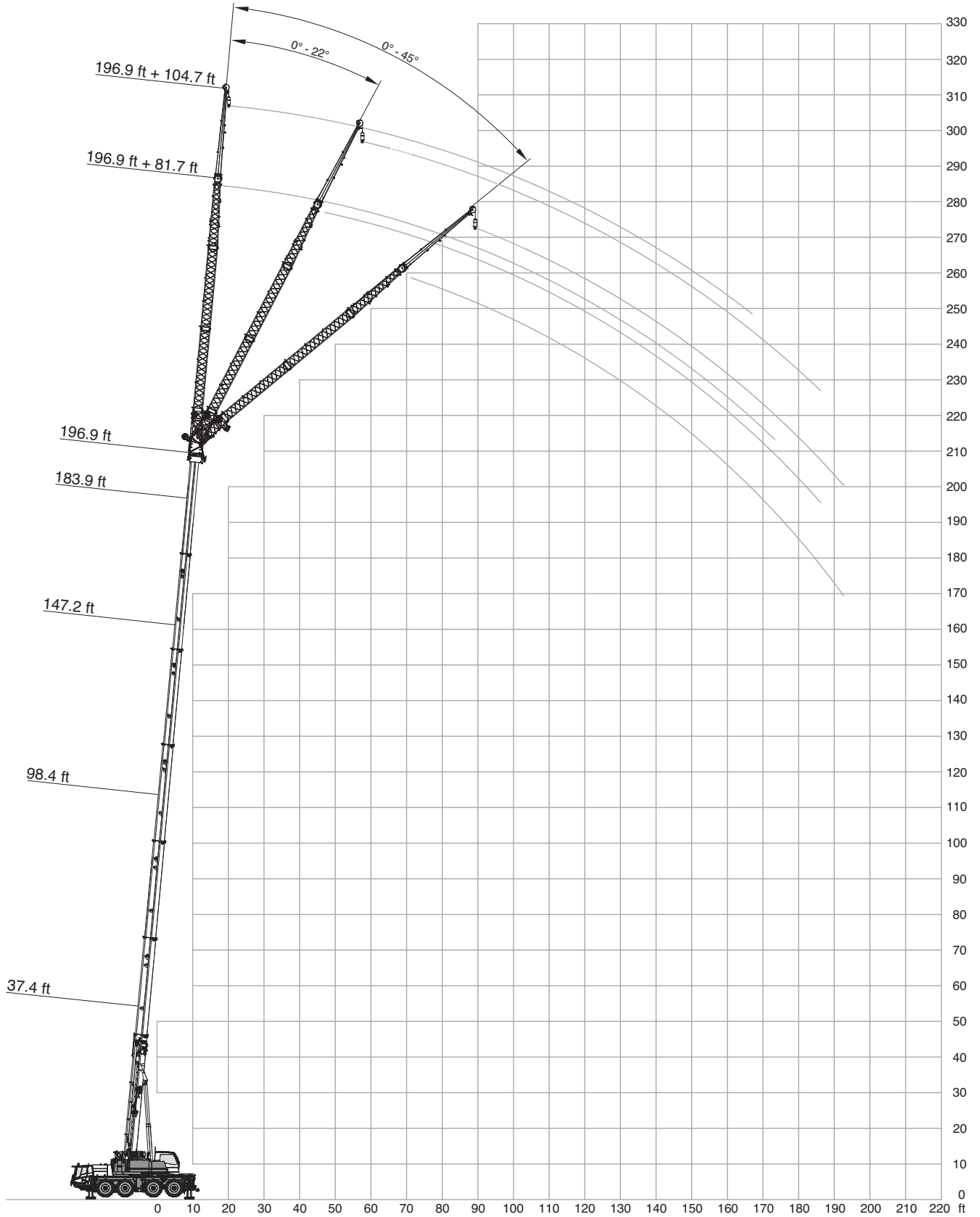
40,500 lbs			23.6 ft x 28.0 ft			58.7 ft			360°			ASME B30.5			
37.4 ft		98.4 ft			147.2 ft			183.9 ft			196.9 ft				
0°	22°	45°	0°	22°	45°	0°	22°	45°	0°	22°	45°	0°	22°	45°	
1,000 lbs															
ft														ft	
14.8	14.5	-	-	-	-	-	-	-	-	-	-	-	-	-	14.8
16.4	13.8	-	-	-	-	-	-	-	-	-	-	-	-	-	16.4
19.7	12.7	-	-	-	-	-	-	-	-	-	-	-	-	-	19.7
23.0	11.6	-	-	-	-	-	-	-	-	-	-	-	-	-	23.0
26.2	10.8	8.3	-	12.3	-	-	-	-	-	-	-	-	-	-	26.2
29.5	10.1	7.7	-	11.9	-	-	-	-	-	-	-	-	-	-	29.5
32.8	9.4	7.2	-	11.4	7.4	-	-	-	-	-	-	-	-	-	32.8
36.1	8.8	7.0	-	11.0	7.4	-	8.5	-	-	-	-	-	-	-	36.1
39.4	8.3	6.6	-	10.8	7.2	-	8.5	-	-	-	-	-	-	-	39.4
45.9	7.2	5.9	5.2	9.9	6.8	-	8.5	6.3	-	-	-	7.2	-	-	45.9
52.5	6.6	5.5	4.8	9.0	6.3	5.0	8.5	6.1	-	-	-	7.0	-	-	52.5
59.1	5.9	5.2	4.6	8.3	5.9	4.8	8.3	5.9	-	5.5	-	7.0	-	-	59.1
65.6	5.5	4.8	4.4	7.7	5.7	4.8	7.9	5.7	4.6	5.2	-	6.8	5.2	-	65.6
72.2	5.0	4.6	4.4	7.2	5.5	4.6	7.4	5.5	4.4	5.0	-	6.6	5.0	-	72.2
78.7	4.8	4.4	4.4	6.8	5.2	4.4	7.0	5.2	4.4	5.0	4.1	6.3	4.8	-	78.7
85.3	4.6	4.4	-	6.3	5.0	4.4	6.8	5.0	4.1	4.8	4.1	6.1	4.8	4.1	85.3
91.9	-	-	-	5.9	4.8	4.1	6.3	4.8	4.1	4.6	3.9	5.9	4.6	3.9	91.9
98.4	-	-	-	5.7	4.6	4.1	6.1	4.6	4.1	4.6	3.9	5.7	4.4	3.9	98.4
105.0	-	-	-	5.2	4.4	4.1	5.9	4.6	3.9	4.4	3.9	5.0	4.4	3.7	105.0
111.5	-	-	-	5.0	4.4	4.1	5.5	4.4	3.9	4.4	3.7	4.1	4.1	3.7	111.5
118.1	-	-	-	4.8	4.1	3.9	5.2	4.4	3.9	4.1	3.7	3.3	4.1	3.7	118.1
124.7	-	-	-	4.6	4.1	-	5.0	4.1	3.7	4.1	3.7	2.4	3.9	3.7	124.7
131.2	-	-	-	4.6	4.1	-	4.4	3.9	3.7	3.5	3.7	1.7	3.0	3.5	131.2
137.8	-	-	-	4.4	3.9	-	3.7	3.9	3.7	2.6	3.5	1.1	2.4	3.3	137.8
144.4	-	-	-	4.4	-	-	3.0	3.7	3.7	1.9	2.8	-	1.7	2.6	144.4
150.9	-	-	-	-	-	-	2.6	3.3	2.8	1.3	2.2	-	1.1	1.9	150.9
157.5	-	-	-	-	-	-	1.9	2.6	-	-	1.5	-	-	1.3	157.5
164.0	-	-	-	-	-	-	1.5	2.2	-	-	-	-	-	-	164.0
170.6	-	-	-	-	-	-	1.1	1.5	-	-	-	-	-	-	170.6
177.2	-	-	-	-	-	-	-	1.1	-	-	-	-	-	-	177.2

Operation

10,600 lbs		23.6 ft x 28.0 ft			58.7 ft			360°			ASME B30.5							
37.4 ft		98.4 ft			147.2 ft			183.9 ft			196.9 ft							
0°		22°		45°		0°		22°		45°		0°		22°		45°		
ft	1,000 lbs																ft	
14.8	14.5	-	-	-	-	-	-	-	-	-	-	-	-	-	-	-	-	14.8
16.4	13.8	-	-	-	-	-	-	-	-	-	-	-	-	-	-	-	-	16.4
19.7	12.7	-	-	-	-	-	-	-	-	-	-	-	-	-	-	-	-	19.7
23.0	11.6	-	-	-	-	-	-	-	-	-	-	-	-	-	-	-	-	23.0
26.2	10.8	8.3	-	12.3	-	-	-	-	-	-	-	-	-	-	-	-	-	26.2
29.5	10.1	7.7	-	11.9	-	-	-	-	-	-	-	-	-	-	-	-	-	29.5
32.8	9.4	7.2	-	11.4	7.4	-	-	-	-	-	-	-	-	-	-	-	-	32.8
36.1	8.8	7.0	-	11.0	7.4	-	8.5	-	-	-	-	-	-	-	-	-	-	36.1
39.4	8.3	6.6	-	10.8	7.2	-	8.5	-	-	-	-	-	-	-	-	-	-	39.4
45.9	7.2	5.9	5.2	9.9	6.8	-	8.5	6.3	-	7.7	-	-	7.2	-	-	-	-	45.9
52.5	6.6	5.5	4.8	9.0	6.3	5.0	8.5	6.1	-	7.7	-	-	7.0	-	-	-	-	52.5
59.1	5.9	5.2	4.6	8.3	5.9	4.8	8.3	5.9	-	7.4	5.5	-	7.0	-	-	-	-	59.1
65.6	5.5	4.8	4.4	7.7	5.7	4.8	7.7	5.7	4.6	6.6	5.2	-	6.1	5.2	-	-	-	65.6
72.2	5.0	4.6	4.4	7.0	5.5	4.6	7.0	5.5	4.4	5.0	5.0	-	4.6	5.0	-	-	-	72.2
78.7	4.8	4.4	4.4	6.6	5.2	4.4	6.6	5.2	4.4	3.7	5.0	4.1	3.3	4.8	-	-	-	78.7
85.3	4.6	4.4	-	6.1	4.8	4.4	5.5	5.0	4.1	2.6	4.8	4.1	2.2	4.6	4.1	-	-	85.3
91.9	-	-	-	5.7	4.8	4.1	4.4	4.8	4.1	1.5	3.7	3.9	1.1	3.3	3.9	-	-	91.9
98.4	-	-	-	5.2	4.6	4.1	3.5	4.6	4.1	-	2.6	3.9	-	2.4	3.9	-	-	98.4
105.0	-	-	-	4.4	4.4	3.9	2.6	3.9	3.9	-	1.7	3.3	-	1.3	3.0	-	-	105.0
111.5	-	-	-	3.7	4.1	3.9	1.9	3.0	3.9	-	-	2.2	-	-	1.9	-	-	111.5
118.1	-	-	-	3.0	3.7	3.9	1.3	2.4	3.0	-	-	1.3	-	-	1.1	-	-	118.1
124.7	-	-	-	2.4	3.0	-	-	1.7	2.4	-	-	-	-	-	-	-	-	124.7
131.2	-	-	-	1.9	2.4	-	-	1.1	1.7	-	-	-	-	-	-	-	-	131.2
137.8	-	-	-	1.5	1.7	-	-	-	1.1	-	-	-	-	-	-	-	-	137.8
144.4	-	-	-	1.1	-	-	-	-	-	-	-	-	-	-	-	-	-	144.4

Operation

HAV-VA



Operation

HAV-VA

67,000 lbs		23.6 ft x 28.0 ft			81.7 ft			360°			ASME B30.5						
37.4 ft		98.4 ft			147.2 ft			183.9 ft			196.9 ft						
0°		22°			45°			0°			22°			45°			
ft	1,000 lbs															ft	
19.7	11.2	-	-	-	-	-	-	-	-	-	-	-	-	-	-	-	19.7
23.0	11.2	-	-	-	-	-	-	-	-	-	-	-	-	-	-	-	23.0
26.2	10.8	-	-	-	-	-	-	-	-	-	-	-	-	-	-	-	26.2
29.5	10.3	-	-	-	-	-	-	-	-	-	-	-	-	-	-	-	29.5
32.8	9.9	-	-	9.4	-	-	-	-	-	-	-	-	-	-	-	-	32.8
36.1	9.4	7.9	-	9.4	-	-	-	-	-	-	-	-	-	-	-	-	36.1
39.4	9.0	7.4	-	9.4	-	-	6.6	-	-	-	-	-	-	-	-	-	39.4
45.9	8.1	6.8	-	9.2	-	-	6.8	-	-	5.2	-	-	-	-	-	-	45.9
52.5	7.4	6.3	-	8.8	6.6	-	6.8	-	-	5.2	-	-	4.8	-	-	-	52.5
59.1	6.8	5.9	-	8.1	6.1	-	6.8	-	-	5.2	-	-	4.8	-	-	-	59.1
65.6	6.3	5.5	5.0	7.7	5.9	-	6.8	5.7	-	5.2	-	-	4.8	-	-	-	65.6
72.2	5.9	5.2	4.8	7.2	5.7	4.8	6.8	5.5	-	5.2	-	-	4.8	-	-	-	72.2
78.7	5.7	5.0	4.6	7.0	5.5	4.8	6.6	5.2	-	5.2	4.8	-	4.8	-	-	-	78.7
85.3	5.0	4.8	4.4	6.6	5.2	4.6	6.3	5.0	-	5.2	4.8	-	4.8	4.6	-	-	85.3
91.9	4.6	4.6	4.4	6.3	5.0	4.4	6.1	4.8	4.4	5.2	4.6	-	4.8	4.6	-	-	91.9
98.4	4.1	4.4	4.4	5.9	4.8	4.4	5.9	4.8	4.1	5.2	4.4	-	4.8	4.4	-	-	98.4
105.0	3.9	4.4	-	5.7	4.8	4.4	5.7	4.6	4.1	5.2	4.4	3.9	4.8	4.4	-	-	105.0
111.5	-	-	-	5.5	4.6	4.1	5.7	4.6	4.1	5.2	4.1	3.9	4.8	4.1	3.7	-	111.5
118.1	-	-	-	5.2	4.4	4.1	5.5	4.4	3.9	5.0	4.1	3.7	4.8	4.1	3.7	-	118.1
124.7	-	-	-	5.0	4.4	4.1	5.2	4.4	3.9	5.0	4.1	3.7	4.8	3.9	3.7	-	124.7
131.2	-	-	-	4.8	4.1	3.9	5.0	4.1	3.9	4.8	3.9	3.7	4.6	3.9	3.7	-	131.2
137.8	-	-	-	4.6	4.1	3.9	4.8	4.1	3.7	4.6	3.9	3.7	4.6	3.9	3.5	-	137.8
144.4	-	-	-	4.4	4.1	-	4.8	3.9	3.7	4.1	3.7	3.5	3.9	3.7	3.5	-	144.4
150.9	-	-	-	4.1	3.9	-	4.6	3.9	3.7	3.5	3.7	3.5	3.3	3.7	3.5	-	150.9
157.5	-	-	-	3.9	3.9	-	4.1	3.9	3.7	2.8	3.7	3.5	2.6	3.7	3.5	-	157.5
164.0	-	-	-	3.7	3.9	-	3.9	3.7	3.7	2.4	3.7	3.5	1.9	3.5	3.3	-	164.0
170.6	-	-	-	3.5	-	-	3.7	3.7	3.7	1.7	3.0	3.5	1.5	2.8	3.3	-	170.6
177.2	-	-	-	-	-	-	3.3	3.3	-	1.3	2.4	3.3	1.1	2.2	3.0	-	177.2
183.7	-	-	-	-	-	-	2.8	3.0	-	-	1.7	2.6	-	1.7	2.4	-	183.7
190.3	-	-	-	-	-	-	2.4	2.8	-	-	1.3	1.9	-	1.1	1.9	-	190.3
196.9	-	-	-	-	-	-	1.9	2.4	-	-	-	-	-	-	1.3	-	196.9
210.0	-	-	-	-	-	-	1.3	-	-	-	-	-	-	-	-	-	210.0

Operation

HAV-VA

53,000 lbs			23.6 ft x 28.0 ft			81.7 ft			360°			ASME B30.5					
37.4 ft		98.4 ft			147.2 ft			183.9 ft			196.9 ft						
0°		22°		45°		0°		22°		45°		0°		22°		45°	
ft	1,000 lbs																ft
19.7	11.2	-	-	-	-	-	-	-	-	-	-	-	-	-	-	-	19.7
23.0	11.2	-	-	-	-	-	-	-	-	-	-	-	-	-	-	-	23.0
26.2	10.8	-	-	-	-	-	-	-	-	-	-	-	-	-	-	-	26.2
29.5	10.3	-	-	-	-	-	-	-	-	-	-	-	-	-	-	-	29.5
32.8	9.9	-	-	9.4	-	-	-	-	-	-	-	-	-	-	-	-	32.8
36.1	9.4	7.9	-	9.4	-	-	-	-	-	-	-	-	-	-	-	-	36.1
39.4	9.0	7.4	-	9.4	-	-	6.6	-	-	-	-	-	-	-	-	-	39.4
45.9	8.1	6.8	-	9.2	-	-	6.8	-	-	5.2	-	-	-	-	-	-	45.9
52.5	7.4	6.3	-	8.8	6.6	-	6.8	-	-	5.2	-	-	4.8	-	-	-	52.5
59.1	6.8	5.9	-	8.1	6.1	-	6.8	-	-	5.2	-	-	4.8	-	-	-	59.1
65.6	6.3	5.5	5.0	7.7	5.9	-	6.8	5.7	-	5.2	-	-	4.8	-	-	-	65.6
72.2	5.9	5.2	4.8	7.2	5.7	4.8	6.8	5.5	-	5.2	-	-	4.8	-	-	-	72.2
78.7	5.7	5.0	4.6	7.0	5.5	4.8	6.6	5.2	-	5.2	4.8	-	4.8	-	-	-	78.7
85.3	5.0	4.8	4.4	6.6	5.2	4.6	6.3	5.0	-	5.2	4.8	-	4.8	4.6	-	-	85.3
91.9	4.6	4.6	4.4	6.3	5.0	4.4	6.1	4.8	4.4	5.2	4.6	-	4.8	4.6	-	-	91.9
98.4	4.1	4.4	4.4	5.9	4.8	4.4	5.9	4.8	4.1	5.2	4.4	-	4.8	4.4	-	-	98.4
105.0	3.9	4.4	-	5.7	4.8	4.4	5.7	4.6	4.1	5.2	4.4	3.9	4.8	4.4	-	-	105.0
111.5	-	-	-	5.5	4.6	4.1	5.7	4.6	4.1	5.2	4.1	3.9	4.8	4.1	3.7	-	111.5
118.1	-	-	-	5.2	4.4	4.1	5.5	4.4	3.9	5.0	4.1	3.7	4.8	4.1	3.7	-	118.1
124.7	-	-	-	5.0	4.4	4.1	5.2	4.4	3.9	4.6	4.1	3.7	4.1	3.9	3.7	-	124.7
131.2	-	-	-	4.8	4.1	3.9	5.0	4.1	3.9	3.9	3.9	3.7	3.5	3.9	3.7	-	131.2
137.8	-	-	-	4.6	4.1	3.9	4.6	4.1	3.7	3.0	3.9	3.7	2.8	3.9	3.5	-	137.8
144.4	-	-	-	4.4	4.1	-	4.6	3.9	3.7	2.4	3.7	3.5	2.2	3.7	3.5	-	144.4
150.9	-	-	-	4.1	3.9	-	4.1	3.9	3.7	1.9	3.5	3.5	1.5	3.0	3.5	-	150.9
157.5	-	-	-	3.9	3.9	-	3.5	3.7	3.7	1.3	2.8	3.5	1.1	2.4	3.5	-	157.5
164.0	-	-	-	3.7	3.9	-	2.8	3.7	3.5	-	2.2	3.0	-	1.7	2.8	-	164.0
170.6	-	-	-	3.5	-	-	2.4	3.3	3.3	-	1.5	2.4	-	1.3	2.2	-	170.6
177.2	-	-	-	-	-	-	1.9	2.8	-	-	1.1	1.9	-	-	1.7	-	177.2
183.7	-	-	-	-	-	-	1.5	2.2	-	-	-	1.3	-	-	1.1	-	183.7
190.3	-	-	-	-	-	-	1.1	1.7	-	-	-	-	-	-	-	-	190.3
196.9	-	-	-	-	-	-	-	1.3	-	-	-	-	-	-	-	-	196.9

Operation

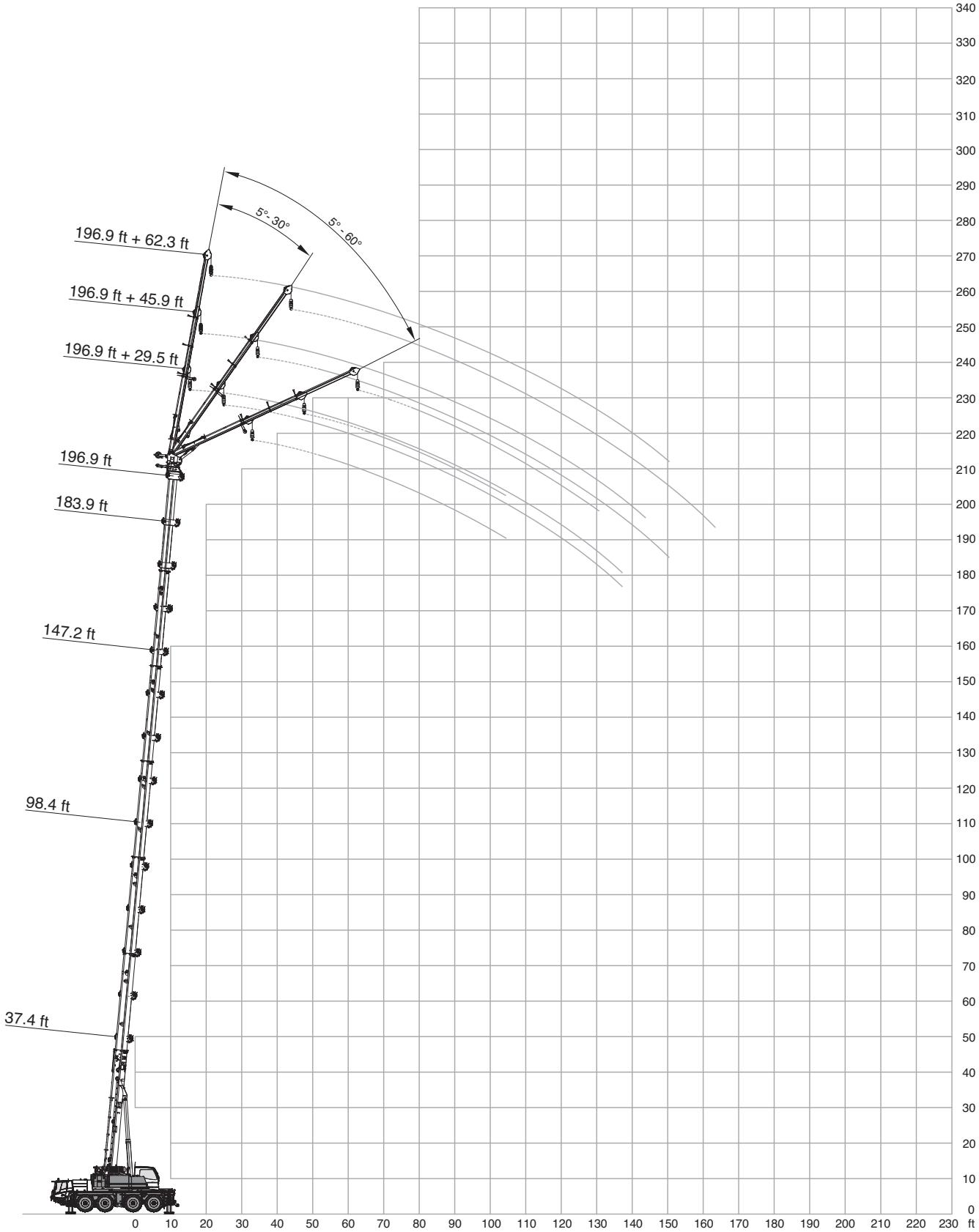
HAV-VA

67,000 lbs		23.6 ft x 28.0 ft						104.7 ft			360°			ASME B30.5					
37.4 ft		98.4 ft						147.2 ft			183.9 ft			196.9 ft					
0°		22°		45°		0°		22°		45°	0°		22°	45°	0°		22°	45°	
ft	1,000 lbs																		ft
26.2	8.8	-	-	-	-	-	-	-	-	-	-	-	-	-	-	-	-	-	26.2
29.5	8.8	-	-	-	-	-	-	-	-	-	-	-	-	-	-	-	-	-	29.5
32.8	8.8	-	-	-	-	-	-	-	-	-	-	-	-	-	-	-	-	-	32.8
36.1	8.8	-	-	6.8	-	-	-	-	-	-	-	-	-	-	-	-	-	-	36.1
39.4	8.5	-	-	6.8	-	-	-	-	-	-	-	-	-	-	-	-	-	-	39.4
45.9	7.9	-	-	6.8	-	-	5.0	-	-	-	-	-	-	-	-	-	-	-	45.9
52.5	7.4	6.6	-	6.8	-	-	5.0	-	-	3.9	-	-	-	-	-	-	-	-	52.5
59.1	7.0	6.3	-	6.8	-	-	5.0	-	-	3.9	-	-	3.5	-	-	-	-	-	59.1
65.6	6.1	5.9	-	6.8	5.9	-	5.0	-	-	3.9	-	-	3.5	-	-	-	-	-	65.6
72.2	5.2	5.2	-	6.8	5.7	-	5.0	-	-	3.9	-	-	3.5	-	-	-	-	-	72.2
78.7	4.6	4.8	-	6.6	5.5	-	5.0	5.0	-	3.9	-	-	3.5	-	-	-	-	-	78.7
85.3	4.1	4.4	3.5	6.3	5.2	-	5.0	4.8	-	3.9	-	-	3.5	-	-	-	-	-	85.3
91.9	3.7	3.9	3.0	5.9	5.0	3.3	5.0	4.6	-	3.9	-	-	3.5	-	-	-	-	-	91.9
98.4	3.3	3.7	2.8	5.5	4.6	3.0	5.0	4.6	-	3.9	3.9	-	3.5	3.5	-	-	-	-	98.4
105.0	3.0	3.3	2.6	5.0	4.4	3.0	5.0	4.4	-	3.9	3.9	-	3.5	3.5	-	-	-	-	105.0
111.5	2.6	3.0	2.6	4.6	4.1	2.8	5.0	4.1	2.8	3.9	3.9	-	3.5	3.5	-	-	-	-	111.5
118.1	2.4	2.8	2.4	4.1	3.7	2.6	5.0	4.1	2.8	3.9	3.7	-	3.5	3.5	-	-	-	-	118.1
124.7	2.2	2.6	2.4	3.9	3.5	2.6	4.8	3.9	2.6	3.9	3.7	2.6	3.5	3.5	-	-	-	-	124.7
131.2	1.9	2.6	-	3.5	3.5	2.4	4.6	3.7	2.6	3.9	3.5	2.4	3.5	3.5	2.4	-	-	-	131.2
137.8	-	-	-	3.3	3.3	2.4	4.1	3.5	2.4	3.9	3.5	2.4	3.5	3.5	2.4	-	-	-	137.8
144.4	-	-	-	3.0	3.0	2.4	3.9	3.3	2.4	3.9	3.3	2.4	3.5	3.3	2.4	-	-	-	144.4
150.9	-	-	-	2.8	2.8	2.2	3.7	3.3	2.2	3.5	3.3	2.2	3.0	3.3	2.2	-	-	-	150.9
157.5	-	-	-	2.6	2.8	2.2	3.5	3.0	2.2	2.8	3.0	2.2	2.4	3.0	2.2	-	-	-	157.5
164.0	-	-	-	2.4	2.6	2.2	3.3	2.8	2.2	2.2	3.0	2.2	1.9	3.0	2.2	-	-	-	164.0
170.6	-	-	-	2.2	2.6	-	3.0	2.8	1.9	1.7	2.8	1.9	1.3	2.8	1.9	-	-	-	170.6
177.2	-	-	-	2.2	2.4	-	2.6	2.6	1.9	1.3	2.6	1.9	-	2.4	1.9	-	-	-	177.2
183.7	-	-	-	1.9	2.4	-	2.2	2.6	1.9	-	2.2	1.9	-	1.9	1.9	-	-	-	183.7
190.3	-	-	-	1.9	-	-	1.9	2.4	1.9	-	1.7	1.9	-	1.5	1.7	-	-	-	190.3
196.9	-	-	-	-	-	-	1.7	2.2	-	-	1.1	1.7	-	-	1.7	-	-	-	196.9
210.0	-	-	-	-	-	-	1.3	1.3	-	-	-	1.1	-	-	-	-	-	-	210.0
223.1	-	-	-	-	-	-	-	1.1	-	-	-	-	-	-	-	-	-	-	223.1

Operation

HAV-VA

53,000 lbs		23.6 ft x 28.0 ft			104.7 ft			360°			ASME B30.5						
37.4 ft		98.4 ft			147.2 ft			183.9 ft			196.9 ft						
0°		22°		45°		0°		22°		45°		0°		22°		45°	
ft	1,000 lbs																ft
26.2	8.8	-	-	-	-	-	-	-	-	-	-	-	-	-	-	-	26.2
29.5	8.8	-	-	-	-	-	-	-	-	-	-	-	-	-	-	-	29.5
32.8	8.8	-	-	-	-	-	-	-	-	-	-	-	-	-	-	-	32.8
36.1	8.8	-	-	6.8	-	-	-	-	-	-	-	-	-	-	-	-	36.1
39.4	8.5	-	-	6.8	-	-	-	-	-	-	-	-	-	-	-	-	39.4
45.9	7.9	-	-	6.8	-	-	5.0	-	-	-	-	-	-	-	-	-	45.9
52.5	7.4	6.6	-	6.8	-	-	5.0	-	-	3.9	-	-	-	-	-	-	52.5
59.1	7.0	6.3	-	6.8	-	-	5.0	-	-	3.9	-	-	3.5	-	-	-	59.1
65.6	6.1	5.9	-	6.8	5.9	-	5.0	-	-	3.9	-	-	3.5	-	-	-	65.6
72.2	5.2	5.2	-	6.8	5.7	-	5.0	-	-	3.9	-	-	3.5	-	-	-	72.2
78.7	4.6	4.8	-	6.6	5.5	-	5.0	5.0	-	3.9	-	-	3.5	-	-	-	78.7
85.3	4.1	4.4	3.5	6.3	5.2	-	5.0	4.8	-	3.9	-	-	3.5	-	-	-	85.3
91.9	3.7	3.9	3.0	5.9	5.0	3.3	5.0	4.6	-	3.9	-	-	3.5	-	-	-	91.9
98.4	3.3	3.7	2.8	5.5	4.6	3.0	5.0	4.6	-	3.9	3.9	-	3.5	3.5	-	-	98.4
105.0	3.0	3.3	2.6	5.0	4.4	3.0	5.0	4.4	-	3.9	3.9	-	3.5	3.5	-	-	105.0
111.5	2.6	3.0	2.6	4.6	4.1	2.8	5.0	4.1	2.8	3.9	3.9	-	3.5	3.5	-	-	111.5
118.1	2.4	2.8	2.4	4.1	3.7	2.6	5.0	4.1	2.8	3.9	3.7	-	3.5	3.5	-	-	118.1
124.7	2.2	2.6	2.4	3.9	3.5	2.6	4.8	3.9	2.6	3.9	3.7	2.6	3.5	3.5	-	-	124.7
131.2	1.9	2.6	-	3.5	3.5	2.4	4.6	3.7	2.6	3.7	3.5	2.4	3.3	3.5	2.4	-	131.2
137.8	-	-	-	3.3	3.3	2.4	4.1	3.5	2.4	3.0	3.5	2.4	2.6	3.5	2.4	-	137.8
144.4	-	-	-	3.0	3.0	2.4	3.9	3.3	2.4	2.4	3.3	2.4	1.9	3.3	2.4	-	144.4
150.9	-	-	-	2.8	2.8	2.2	3.5	3.3	2.2	1.7	3.3	2.2	1.3	3.3	2.2	-	150.9
157.5	-	-	-	2.6	2.8	2.2	3.3	3.0	2.2	1.3	3.0	2.2	-	2.8	2.2	-	157.5
164.0	-	-	-	2.4	2.6	2.2	2.8	2.8	2.2	-	2.4	2.2	-	2.2	2.2	-	164.0
170.6	-	-	-	2.2	2.6	-	2.4	2.8	1.9	-	1.9	1.9	-	1.5	1.9	-	170.6
177.2	-	-	-	2.2	2.4	-	1.9	2.4	1.9	-	1.3	1.9	-	1.1	1.9	-	177.2
183.7	-	-	-	1.9	2.4	-	1.5	2.2	1.9	-	-	1.9	-	-	1.7	-	183.7
190.3	-	-	-	1.9	-	-	1.1	1.9	1.9	-	-	1.3	-	-	1.1	-	190.3
196.9	-	-	-	-	-	-	-	1.5	-	-	-	-	-	-	-	-	196.9



Operation

HTLJ

67,000 lbs			23.6 ft x 28.0 ft			29.5 ft			360°			ASME B30.5						
37.4 ft		98.4 ft			147.2 ft			183.9 ft			196.9 ft							
5°		30°		60°		5°		30°		60°		5°		30°		60°		
ft	1,000 lbs																ft	
9.8	16.0	-	-	-	-	-	-	-	-	-	-	-	-	-	-	-	-	9.8
11.5	16.0	-	-	-	-	-	-	-	-	-	-	-	-	-	-	-	-	11.5
13.1	16.0	16.0	-	16.0	-	-	-	-	-	-	-	-	-	-	-	-	-	13.1
14.8	16.0	16.0	-	16.0	-	-	-	-	-	-	-	-	-	-	-	-	-	14.8
16.4	16.0	16.0	-	16.0	-	-	-	-	-	-	-	-	-	-	-	-	-	16.4
19.7	16.0	16.0	11.4	16.0	-	-	-	-	-	-	-	-	-	-	-	-	-	19.7
23.0	16.0	16.0	11.0	16.0	16.0	-	16.0	-	-	-	-	-	-	-	-	-	-	23.0
26.2	16.0	16.0	10.8	16.0	16.0	-	16.0	-	-	-	-	-	-	-	-	-	-	26.2
29.5	16.0	15.8	10.5	16.0	16.0	11.0	16.0	-	-	-	-	-	-	-	-	-	-	29.5
32.8	16.0	15.2	10.3	16.0	16.0	11.0	16.0	16.0	-	9.4	-	-	-	-	-	-	-	32.8
36.1	16.0	14.5	10.3	16.0	16.0	10.8	16.0	15.6	-	9.4	-	-	8.3	-	-	-	-	36.1
39.4	16.0	13.8	-	16.0	16.0	10.8	16.0	15.2	11.0	9.4	-	-	8.3	-	-	-	-	39.4
45.9	14.1	13.0	-	16.0	16.0	10.5	16.0	14.3	10.8	9.4	9.4	-	8.3	8.3	-	-	-	45.9
52.5	12.5	12.3	-	16.0	15.8	10.3	15.8	13.4	10.5	9.4	9.4	9.4	8.3	8.3	8.3	-	-	52.5
59.1	11.2	-	-	16.0	15.2	10.3	14.9	13.0	10.5	9.4	9.4	9.0	8.3	7.9	7.7	-	-	59.1
65.6	-	-	-	16.0	14.5	10.3	13.8	12.3	10.3	9.4	9.2	8.8	7.7	7.4	7.2	-	-	65.6
72.2	-	-	-	16.0	13.8	-	12.5	11.9	10.3	9.4	8.8	8.3	7.2	7.0	6.8	-	-	72.2
78.7	-	-	-	15.8	13.4	-	11.6	11.4	10.1	9.0	8.3	8.1	6.8	6.6	6.3	-	-	78.7
85.3	-	-	-	14.1	13.0	-	10.5	10.8	10.1	8.3	8.1	7.9	6.3	6.1	5.9	-	-	85.3
91.9	-	-	-	12.7	12.5	-	9.7	9.9	-	7.7	7.7	7.4	5.9	5.7	5.7	-	-	91.9
98.4	-	-	-	10.8	11.2	-	9.2	8.8	-	7.2	7.2	7.0	5.5	5.5	5.2	-	-	98.4
105.0	-	-	-	9.2	9.4	-	8.3	8.1	-	6.6	6.8	-	5.2	5.0	5.0	-	-	105.0
111.5	-	-	-	7.7	-	-	7.2	7.7	-	5.9	6.3	-	4.8	4.8	-	-	-	111.5
118.1	-	-	-	6.8	-	-	6.3	6.6	-	4.6	5.5	-	4.4	4.6	-	-	-	118.1
124.7	-	-	-	-	-	-	5.9	5.7	-	3.7	4.4	-	3.3	3.9	-	-	-	124.7
131.2	-	-	-	-	-	-	5.0	5.2	-	2.8	3.3	-	2.4	3.0	-	-	-	131.2
137.8	-	-	-	-	-	-	4.1	4.4	-	1.9	2.4	-	-	2.2	-	-	-	137.8
144.4	-	-	-	-	-	-	3.3	3.5	-	-	-	-	-	-	-	-	-	144.4
150.9	-	-	-	-	-	-	2.6	-	-	-	-	-	-	-	-	-	-	150.9
157.5	-	-	-	-	-	-	1.9	-	-	-	-	-	-	-	-	-	-	157.5

Operation

HTLJ

53,000 lbs			23.6 ft x 28.0 ft			29.5 ft			360°			ASME B30.5						
37.4 ft		98.4 ft			147.2 ft			183.9 ft			196.9 ft							
5°		30°		60°		5°		30°		60°		5°		30°		60°		
ft	1,000 lbs																ft	
9.8	16.0	-	-	-	-	-	-	-	-	-	-	-	-	-	-	-	-	9.8
11.5	16.0	-	-	-	-	-	-	-	-	-	-	-	-	-	-	-	-	11.5
13.1	16.0	16.0	-	16.0	-	-	-	-	-	-	-	-	-	-	-	-	-	13.1
14.8	16.0	16.0	-	16.0	-	-	-	-	-	-	-	-	-	-	-	-	-	14.8
16.4	16.0	16.0	-	16.0	-	-	-	-	-	-	-	-	-	-	-	-	-	16.4
19.7	16.0	16.0	11.4	16.0	-	-	-	-	-	-	-	-	-	-	-	-	-	19.7
23.0	16.0	16.0	11.0	16.0	16.0	-	16.0	-	-	-	-	-	-	-	-	-	-	23.0
26.2	16.0	16.0	10.8	16.0	16.0	-	16.0	-	-	-	-	-	-	-	-	-	-	26.2
29.5	16.0	15.8	10.5	16.0	16.0	11.0	16.0	-	-	-	-	-	-	-	-	-	-	29.5
32.8	16.0	15.2	10.3	16.0	16.0	11.0	16.0	16.0	-	9.4	-	-	-	-	-	-	-	32.8
36.1	16.0	14.5	10.3	16.0	16.0	10.8	16.0	15.6	-	9.4	-	-	8.3	-	-	-	-	36.1
39.4	16.0	13.8	-	16.0	16.0	10.8	16.0	15.2	11.0	9.4	-	-	8.3	-	-	-	-	39.4
45.9	14.1	13.0	-	16.0	16.0	10.5	16.0	14.3	10.8	9.4	9.4	-	8.3	8.3	-	-	-	45.9
52.5	12.5	12.3	-	16.0	15.8	10.3	15.8	13.4	10.5	9.4	9.4	9.4	8.3	8.3	8.3	-	-	52.5
59.1	11.2	-	-	16.0	15.2	10.3	14.9	13.0	10.5	9.4	9.4	9.0	8.3	7.9	7.7	-	-	59.1
65.6	-	-	-	16.0	14.5	10.3	13.8	12.3	10.3	9.4	9.2	8.8	7.7	7.4	7.2	-	-	65.6
72.2	-	-	-	16.0	13.8	-	12.5	11.9	10.3	9.4	8.8	8.3	7.2	7.0	6.8	-	-	72.2
78.7	-	-	-	14.5	13.4	-	11.0	11.4	10.1	9.0	8.3	8.1	6.8	6.6	6.3	-	-	78.7
85.3	-	-	-	12.1	13.0	-	10.3	9.7	10.1	8.3	8.1	7.9	6.3	6.1	5.9	-	-	85.3
91.9	-	-	-	10.1	10.8	-	9.4	9.0	-	7.4	7.7	7.4	5.9	5.7	5.7	-	-	91.9
98.4	-	-	-	8.3	8.8	-	7.7	8.5	-	5.9	7.0	7.0	5.5	5.5	5.2	-	-	98.4
105.0	-	-	-	7.9	7.7	-	7.2	7.2	-	4.6	5.7	-	4.4	5.0	5.0	-	-	105.0
111.5	-	-	-	7.0	-	-	6.1	6.6	-	3.5	4.4	-	3.3	4.1	-	-	-	111.5
118.1	-	-	-	5.9	-	-	5.0	5.5	-	2.4	3.3	-	2.2	3.0	-	-	-	118.1
124.7	-	-	-	-	-	-	3.9	4.4	-	-	2.2	-	-	1.9	-	-	-	124.7
131.2	-	-	-	-	-	-	3.0	3.5	-	-	-	-	-	-	-	-	-	131.2
137.8	-	-	-	-	-	-	2.4	2.6	-	-	-	-	-	-	-	-	-	137.8
144.4	-	-	-	-	-	-	-	1.9	-	-	-	-	-	-	-	-	-	144.4

Operation

HTLJ

67,000 lbs			23.6 ft x 28.0 ft			45.9 ft			360°			ASME B30.5		
37.4 ft		98.4 ft			147.2 ft			183.9 ft			196.9 ft			
5°	30°	60°	5°	30°	60°	5°	30°	60°	5°	30°	60°	5°	30°	60°
1,000 lbs														
ft														ft
9.8	9.4	-	-	-	-	-	-	-	-	-	-	-	-	9.8
11.5	9.4	-	-	-	-	-	-	-	-	-	-	-	-	11.5
13.1	9.4	-	-	9.4	-	-	-	-	-	-	-	-	-	13.1
14.8	9.4	-	-	9.4	-	-	-	-	-	-	-	-	-	14.8
16.4	9.4	-	-	9.4	-	-	-	-	-	-	-	-	-	16.4
19.7	9.4	-	-	9.4	-	-	9.4	-	-	-	-	-	-	19.7
23.0	9.4	9.4	-	9.4	-	-	9.4	-	-	-	-	-	-	23.0
26.2	9.4	9.4	-	9.4	-	-	9.4	-	-	-	-	-	-	26.2
29.5	9.4	9.4	-	9.4	9.4	-	9.4	-	-	6.8	-	-	-	29.5
32.8	9.4	9.2	-	9.4	9.4	-	9.4	-	-	6.8	-	-	6.1	32.8
36.1	9.4	8.5	5.9	9.4	9.4	-	9.4	-	-	6.8	-	-	6.1	36.1
39.4	9.4	8.3	5.9	9.4	9.2	-	9.4	8.8	-	6.8	-	-	6.1	39.4
45.9	9.4	7.7	5.7	9.4	8.5	5.9	9.4	8.3	-	6.8	-	-	6.1	45.9
52.5	8.3	7.0	5.5	9.4	8.1	5.7	9.4	8.1	5.9	6.8	6.8	-	6.1	52.5
59.1	7.4	6.6	-	9.4	7.7	5.7	9.4	7.7	5.7	6.8	6.8	5.7	6.1	59.1
65.6	6.6	6.3	-	9.4	7.4	5.5	9.4	7.4	5.7	6.8	6.8	5.7	6.1	65.6
72.2	5.9	-	-	9.4	7.0	5.5	9.4	7.2	5.5	6.8	6.8	5.5	6.1	72.2
78.7	-	-	-	9.2	6.8	5.5	9.4	6.8	5.5	6.8	6.6	5.5	6.1	78.7
85.3	-	-	-	8.8	6.6	-	9.2	6.6	5.5	6.8	6.3	5.5	5.7	85.3
91.9	-	-	-	8.1	6.3	-	8.8	6.3	5.5	6.8	6.1	5.5	5.5	91.9
98.4	-	-	-	7.7	6.1	-	8.3	6.3	5.2	6.8	5.9	5.5	5.0	98.4
105.0	-	-	-	7.4	6.1	-	7.7	6.1	-	6.6	5.7	5.2	4.8	105.0
111.5	-	-	-	7.0	5.9	-	7.2	5.9	-	6.1	5.7	5.2	4.6	111.5
118.1	-	-	-	6.6	5.9	-	6.8	5.7	-	5.7	5.5	-	4.4	118.1
124.7	-	-	-	6.1	-	-	6.1	5.5	-	4.8	5.2	-	4.1	124.7
131.2	-	-	-	5.9	-	-	5.0	5.5	-	3.7	4.8	-	3.5	131.2
137.8	-	-	-	-	-	-	4.8	4.8	-	3.0	3.9	-	2.6	137.8
144.4	-	-	-	-	-	-	4.4	4.1	-	2.2	3.0	-	1.9	144.4
150.9	-	-	-	-	-	-	3.5	3.9	-	-	2.4	-	-	150.9
157.5	-	-	-	-	-	-	2.8	3.3	-	-	-	-	-	157.5
164.0	-	-	-	-	-	-	2.4	-	-	-	-	-	-	164.0

Operation

HTLJ

53,000 lbs			23.6 ft x 28.0 ft			45.9 ft			360°			ASME B30.5		
37.4 ft		98.4 ft			147.2 ft			183.9 ft			196.9 ft			
5°	30°	60°	5°	30°	60°	5°	30°	60°	5°	30°	60°	5°	30°	60°
1,000 lbs														
ft														ft
9.8	9.4	-	-	-	-	-	-	-	-	-	-	-	-	9.8
11.5	9.4	-	-	-	-	-	-	-	-	-	-	-	-	11.5
13.1	9.4	-	-	9.4	-	-	-	-	-	-	-	-	-	13.1
14.8	9.4	-	-	9.4	-	-	-	-	-	-	-	-	-	14.8
16.4	9.4	-	-	9.4	-	-	-	-	-	-	-	-	-	16.4
19.7	9.4	-	-	9.4	-	-	9.4	-	-	-	-	-	-	19.7
23.0	9.4	9.4	-	9.4	-	-	9.4	-	-	-	-	-	-	23.0
26.2	9.4	9.4	-	9.4	-	-	9.4	-	-	-	-	-	-	26.2
29.5	9.4	9.4	-	9.4	9.4	-	9.4	-	-	6.8	-	-	-	29.5
32.8	9.4	9.2	-	9.4	9.4	-	9.4	-	-	6.8	-	-	6.1	32.8
36.1	9.4	8.5	5.9	9.4	9.4	-	9.4	-	-	6.8	-	-	6.1	36.1
39.4	9.4	8.3	5.9	9.4	9.2	-	9.4	8.8	-	6.8	-	-	6.1	39.4
45.9	9.4	7.7	5.7	9.4	8.5	5.9	9.4	8.3	-	6.8	-	-	6.1	45.9
52.5	8.3	7.0	5.5	9.4	8.1	5.7	9.4	8.1	5.9	6.8	6.8	-	6.1	52.5
59.1	7.4	6.6	-	9.4	7.7	5.7	9.4	7.7	5.7	6.8	6.8	5.7	6.1	59.1
65.6	6.6	6.3	-	9.4	7.4	5.5	9.4	7.4	5.7	6.8	6.8	5.7	6.1	65.6
72.2	5.9	-	-	9.4	7.0	5.5	9.4	7.2	5.5	6.8	6.8	5.5	6.1	72.2
78.7	-	-	-	9.2	6.8	5.5	9.4	6.8	5.5	6.8	6.6	5.5	6.1	78.7
85.3	-	-	-	8.8	6.6	-	9.2	6.6	5.5	6.8	6.3	5.5	5.7	85.3
91.9	-	-	-	8.1	6.3	-	8.3	6.3	5.5	6.8	6.1	5.5	5.5	91.9
98.4	-	-	-	7.7	6.1	-	8.1	6.3	5.2	6.8	5.9	5.5	5.0	98.4
105.0	-	-	-	7.2	6.1	-	7.7	6.1	-	5.7	5.7	5.2	4.8	105.0
111.5	-	-	-	7.0	5.9	-	6.3	5.7	-	4.6	5.7	5.2	4.1	111.5
118.1	-	-	-	6.1	5.7	-	5.9	5.7	-	3.5	4.8	-	3.3	118.1
124.7	-	-	-	5.7	-	-	5.2	5.2	-	2.6	3.9	-	2.4	124.7
131.2	-	-	-	5.2	-	-	4.4	4.8	-	1.9	2.8	-	-	131.2
137.8	-	-	-	-	-	-	3.5	4.1	-	-	2.2	-	-	137.8
144.4	-	-	-	-	-	-	2.6	3.3	-	-	-	-	-	144.4
150.9	-	-	-	-	-	-	1.9	2.6	-	-	-	-	-	150.9

Operation

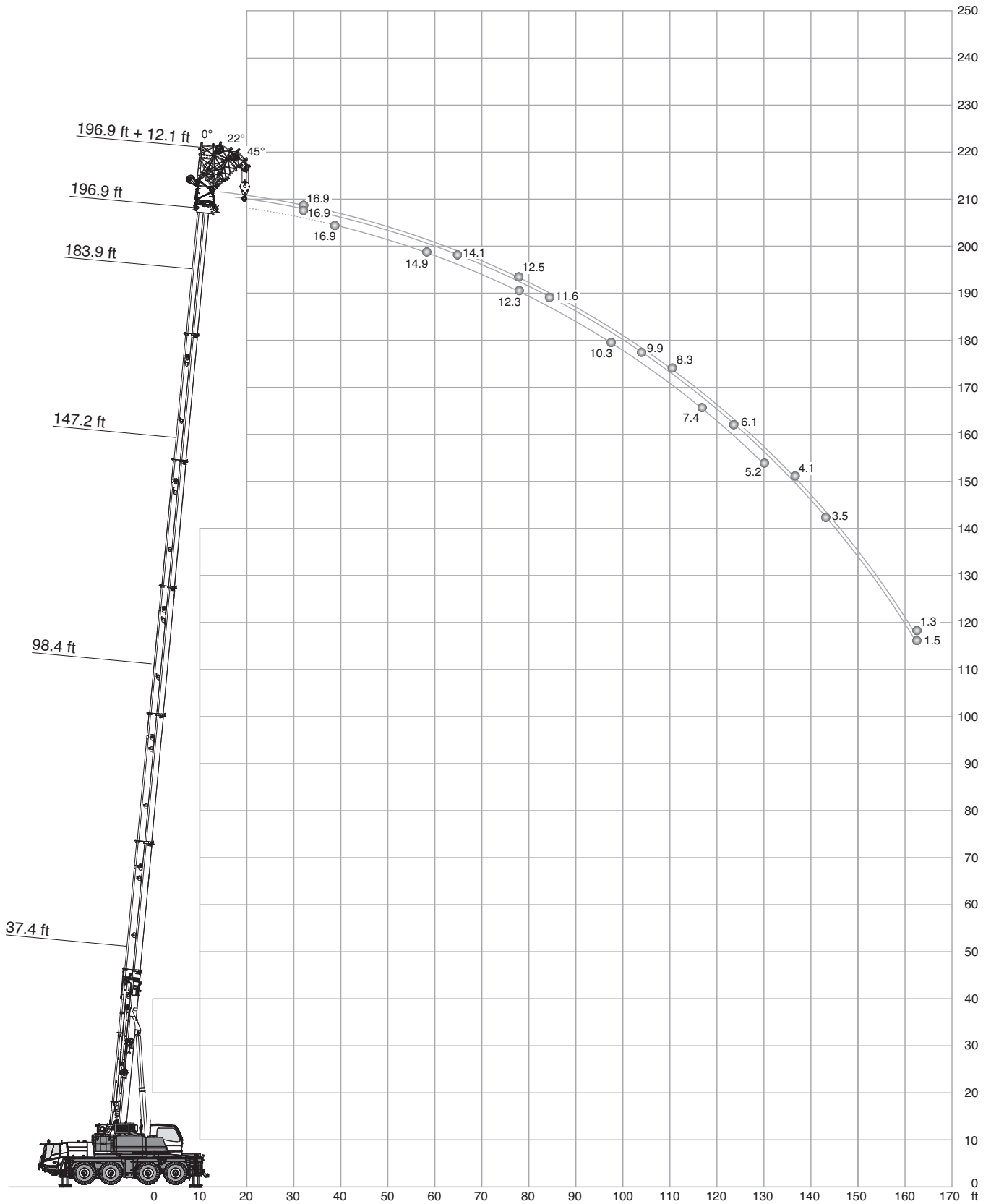
HTLJ

67,000 lbs			23.6 ft x 28.0 ft			62.3 ft			360°			ASME B30.5			
37.4 ft		98.4 ft			147.2 ft			183.9 ft			196.9 ft				
5°	30°	60°	5°	30°	60°	5°	30°	60°	5°	30°	60°	5°	30°	60°	
1,000 lbs															
ft														ft	
9.8	7.2	-	-	-	-	-	-	-	-	-	-	-	-	-	9.8
11.5	7.2	-	-	-	-	-	-	-	-	-	-	-	-	-	11.5
13.1	7.2	-	-	-	-	-	-	-	-	-	-	-	-	-	13.1
14.8	7.2	-	-	-	-	-	-	-	-	-	-	-	-	-	14.8
16.4	7.2	-	-	7.2	-	-	-	-	-	-	-	-	-	-	16.4
19.7	7.2	-	-	7.2	-	-	-	-	-	-	-	-	-	-	19.7
23.0	7.2	-	-	7.2	-	-	-	-	-	-	-	-	-	-	23.0
26.2	7.2	-	-	7.2	-	-	5.5	-	-	-	-	-	-	-	26.2
29.5	7.2	-	-	7.2	-	-	5.5	-	-	-	-	-	-	-	29.5
32.8	7.2	5.9	-	7.2	-	-	5.5	-	-	4.1	-	-	-	-	32.8
36.1	7.2	5.7	-	7.2	-	-	5.5	-	-	4.1	-	-	3.9	-	36.1
39.4	7.0	5.5	-	7.2	-	-	5.5	-	-	4.1	-	-	3.9	-	39.4
45.9	6.3	5.0	-	7.2	5.2	-	5.5	-	-	4.1	-	-	3.9	-	45.9
52.5	5.7	4.6	3.7	7.2	5.0	-	5.5	4.8	-	4.1	-	-	3.9	-	52.5
59.1	5.2	4.4	3.7	6.8	4.8	3.7	5.5	4.6	-	4.1	4.1	-	3.9	-	59.1
65.6	4.8	3.9	3.5	6.3	4.6	3.7	5.5	4.4	3.7	4.1	4.1	-	3.9	3.9	65.6
72.2	4.4	3.7	-	5.9	4.4	3.5	5.5	4.4	3.5	4.1	4.1	-	3.9	3.9	72.2
78.7	4.1	3.7	-	5.5	4.1	3.5	5.5	4.1	3.5	4.1	3.9	3.5	3.9	3.9	78.7
85.3	3.9	3.5	-	5.2	3.9	3.5	5.5	3.9	3.5	4.1	3.9	3.3	3.9	3.7	85.3
91.9	3.5	-	-	5.0	3.9	3.5	5.2	3.9	3.5	4.1	3.7	3.3	3.9	3.7	91.9
98.4	-	-	-	4.8	3.7	3.5	5.0	3.7	3.3	4.1	3.7	3.3	3.9	3.5	98.4
105.0	-	-	-	4.6	3.5	-	4.8	3.7	3.3	4.1	3.5	3.3	3.9	3.5	105.0
111.5	-	-	-	4.4	3.5	-	4.6	3.5	3.3	4.1	3.5	3.0	3.9	3.5	111.5
118.1	-	-	-	4.1	3.5	-	4.4	3.5	3.3	4.1	3.3	3.0	3.9	3.3	118.1
124.7	-	-	-	3.9	3.5	-	4.4	3.5	-	4.1	3.3	3.0	3.7	3.3	124.7
131.2	-	-	-	3.9	3.3	-	4.1	3.3	-	4.1	3.3	3.0	3.5	3.3	131.2
137.8	-	-	-	3.7	3.3	-	3.9	3.3	-	3.9	3.0	-	3.5	3.0	137.8
144.4	-	-	-	3.7	-	-	3.7	3.3	-	3.0	3.0	-	2.8	3.0	144.4
150.9	-	-	-	3.5	-	-	3.7	3.0	-	2.4	3.0	-	2.2	3.0	150.9
157.5	-	-	-	-	-	-	3.5	3.0	-	-	2.8	-	-	2.6	157.5
164.0	-	-	-	-	-	-	3.3	3.0	-	-	2.2	-	-	1.9	164.0
170.6	-	-	-	-	-	-	2.6	2.8	-	-	-	-	-	-	170.6
177.2	-	-	-	-	-	-	2.2	-	-	-	-	-	-	-	177.2

Operation

HTLJ

53,000 lbs			23.6 ft x 28.0 ft			62.3 ft			360°			ASME B30.5			
37.4 ft		98.4 ft			147.2 ft			183.9 ft			196.9 ft				
5°	30°	60°	5°	30°	60°	5°	30°	60°	5°	30°	60°	5°	30°	60°	
1,000 lbs															
ft														ft	
9.8	7.2	-	-	-	-	-	-	-	-	-	-	-	-	-	9.8
11.5	7.2	-	-	-	-	-	-	-	-	-	-	-	-	-	11.5
13.1	7.2	-	-	-	-	-	-	-	-	-	-	-	-	-	13.1
14.8	7.2	-	-	-	-	-	-	-	-	-	-	-	-	-	14.8
16.4	7.2	-	-	7.2	-	-	-	-	-	-	-	-	-	-	16.4
19.7	7.2	-	-	7.2	-	-	-	-	-	-	-	-	-	-	19.7
23.0	7.2	-	-	7.2	-	-	-	-	-	-	-	-	-	-	23.0
26.2	7.2	-	-	7.2	-	-	5.5	-	-	-	-	-	-	-	26.2
29.5	7.2	-	-	7.2	-	-	5.5	-	-	-	-	-	-	-	29.5
32.8	7.2	5.9	-	7.2	-	-	5.5	-	-	4.1	-	-	-	-	32.8
36.1	7.2	5.7	-	7.2	-	-	5.5	-	-	4.1	-	-	3.9	-	36.1
39.4	7.0	5.5	-	7.2	-	-	5.5	-	-	4.1	-	-	3.9	-	39.4
45.9	6.3	5.0	-	7.2	5.2	-	5.5	-	-	4.1	-	-	3.9	-	45.9
52.5	5.7	4.6	3.7	7.2	5.0	-	5.5	4.8	-	4.1	-	-	3.9	-	52.5
59.1	5.2	4.4	3.7	6.8	4.8	3.7	5.5	4.6	-	4.1	4.1	-	3.9	-	59.1
65.6	4.8	3.9	3.5	6.3	4.6	3.7	5.5	4.4	3.7	4.1	4.1	-	3.9	3.9	65.6
72.2	4.4	3.7	-	5.9	4.4	3.5	5.5	4.4	3.5	4.1	4.1	-	3.9	3.9	72.2
78.7	4.1	3.7	-	5.5	4.1	3.5	5.5	4.1	3.5	4.1	3.9	3.5	3.9	3.9	78.7
85.3	3.9	3.5	-	5.2	3.9	3.5	5.5	3.9	3.5	4.1	3.9	3.3	3.9	3.7	85.3
91.9	3.5	-	-	5.0	3.9	3.5	5.2	3.9	3.5	4.1	3.7	3.3	3.9	3.7	91.9
98.4	-	-	-	4.8	3.7	3.5	5.0	3.7	3.3	4.1	3.7	3.3	3.9	3.5	98.4
105.0	-	-	-	4.6	3.5	-	4.8	3.7	3.3	4.1	3.5	3.3	3.9	3.5	105.0
111.5	-	-	-	4.4	3.5	-	4.6	3.5	3.3	4.1	3.5	3.0	3.9	3.5	111.5
118.1	-	-	-	4.1	3.5	-	4.4	3.5	3.3	4.1	3.3	3.0	3.9	3.3	118.1
124.7	-	-	-	3.9	3.5	-	4.1	3.5	-	3.7	3.3	3.0	3.3	3.3	124.7
131.2	-	-	-	3.9	3.3	-	4.1	3.3	-	2.8	3.3	3.0	2.4	3.3	131.2
137.8	-	-	-	3.7	3.3	-	3.9	3.3	-	2.2	3.0	-	-	3.0	137.8
144.4	-	-	-	3.7	-	-	3.7	3.0	-	-	2.6	-	-	2.4	144.4
150.9	-	-	-	3.5	-	-	3.0	3.0	-	-	1.9	-	-	-	150.9
157.5	-	-	-	-	-	-	2.4	3.0	-	-	-	-	-	-	157.5
164.0	-	-	-	-	-	-	-	2.4	-	-	-	-	-	-	164.0



Operation

MS

67,000 lbs		23.6 ft x 28.0 ft						12.1 ft			360°			ASME B30.5			
		37.4 ft			98.4 ft			147.2 ft			183.9 ft			196.9 ft			
		0°	22°	45°	0°	22°	45°	0°	22°	45°	0°	22°	45°	0°	22°	45°	
ft	1,000 lbs															ft	
9.8	110.8	78.0	56.6	-	-	-	-	-	-	-	-	-	-	-	-	-	9.8
11.5	103.3	75.1	55.7	-	-	-	-	-	-	-	-	-	-	-	-	-	11.5
13.1	96.7	72.5	54.6	-	82.2	-	-	-	-	-	-	-	-	-	-	-	13.1
14.8	90.8	70.3	53.7	-	80.0	58.6	-	-	-	-	-	-	-	-	-	-	14.8
16.4	85.7	68.3	53.1	-	78.2	57.9	-	-	-	-	-	-	-	-	-	-	16.4
19.7	77.3	64.5	52.0	77.8	73.4	56.6	-	-	-	-	-	-	-	-	-	-	19.7
23.0	70.5	61.7	51.1	77.8	68.5	55.5	-	33.7	-	-	-	-	-	-	-	-	23.0
26.2	64.8	59.3	50.7	77.8	66.1	54.4	-	33.7	33.7	-	-	-	-	-	-	-	26.2
29.5	60.4	56.4	50.7	70.5	63.7	53.5	-	33.7	33.7	-	-	-	-	-	-	-	29.5
32.8	56.4	54.2	-	63.4	61.7	52.2	-	33.7	33.7	-	19.4	-	-	-	-	-	32.8
36.1	53.5	52.6	-	57.5	58.2	50.9	33.7	33.7	33.7	-	19.4	19.4	16.9	16.9	-	-	36.1
39.4	51.3	52.2	-	52.0	52.6	50.2	32.4	32.4	33.5	-	19.4	19.4	16.9	16.9	16.9	-	39.4
45.9	-	-	-	42.5	43.4	43.8	31.5	31.0	30.8	19.4	19.4	19.4	16.9	16.9	16.7	-	45.9
52.5	-	-	-	35.2	35.9	36.3	28.4	28.2	27.9	19.4	19.4	19.4	16.3	16.0	15.8	-	52.5
59.1	-	-	-	29.1	29.7	29.9	26.0	25.5	25.5	19.4	19.4	19.4	15.2	14.9	14.9	-	59.1
65.6	-	-	-	26.2	24.9	24.9	23.5	23.5	23.5	18.0	18.2	18.0	14.3	14.1	14.1	-	65.6
72.2	-	-	-	22.2	22.4	22.7	20.7	21.1	21.3	16.9	16.9	16.9	13.4	13.2	13.2	-	72.2
78.7	-	-	-	19.6	19.4	-	18.0	18.0	18.2	15.8	15.8	15.8	12.5	12.5	12.3	-	78.7
85.3	-	-	-	17.4	17.4	-	16.0	16.5	16.5	14.7	14.7	14.7	11.9	11.6	11.6	-	85.3
91.9	-	-	-	15.2	15.2	-	13.8	14.1	14.3	12.7	13.2	13.4	11.2	11.0	11.0	-	91.9
98.4	-	-	-	13.2	-	-	12.7	12.3	12.3	11.0	11.4	11.6	10.5	10.5	10.3	-	98.4
105.0	-	-	-	-	-	-	11.6	11.6	11.6	9.4	9.7	9.9	9.4	9.9	9.9	-	105.0
111.5	-	-	-	-	-	-	10.1	10.3	-	8.1	8.3	8.3	8.3	8.5	8.5	-	111.5
118.1	-	-	-	-	-	-	9.0	9.0	-	6.8	7.0	7.2	7.0	7.2	7.4	-	118.1
124.7	-	-	-	-	-	-	7.9	7.9	-	5.7	5.9	5.9	5.9	6.1	6.1	-	124.7
131.2	-	-	-	-	-	-	6.8	7.0	-	4.8	5.0	-	5.0	5.0	5.2	-	131.2
137.8	-	-	-	-	-	-	6.1	6.1	-	3.9	4.1	-	4.1	4.1	-	-	137.8
144.4	-	-	-	-	-	-	5.2	-	-	3.0	3.3	-	3.3	3.5	-	-	144.4
150.9	-	-	-	-	-	-	-	-	-	2.4	2.6	-	2.6	2.6	-	-	150.9
157.5	-	-	-	-	-	-	-	-	-	1.7	1.9	-	1.9	1.9	-	-	157.5
164.0	-	-	-	-	-	-	-	-	-	1.3	1.3	-	1.3	1.5	-	-	164.0

Operation

MS

53,000 lbs		23.6 ft x 28.0 ft						12.1 ft			360°			ASME B30.5		
ft	37.4 ft			98.4 ft			147.2 ft			183.9 ft			196.9 ft			ft
	0°	22°	45°	0°	22°	45°	0°	22°	45°	0°	22°	45°	0°	22°	45°	
1,000 lbs																
9.8	110.8	78.0	56.6	-	-	-	-	-	-	-	-	-	-	-	-	9.8
11.5	103.3	75.1	55.7	-	-	-	-	-	-	-	-	-	-	-	-	11.5
13.1	96.7	72.5	54.6	-	82.2	-	-	-	-	-	-	-	-	-	-	13.1
14.8	90.8	70.3	53.7	-	80.0	58.6	-	-	-	-	-	-	-	-	-	14.8
16.4	85.7	68.3	53.1	-	78.2	57.9	-	-	-	-	-	-	-	-	-	16.4
19.7	77.3	64.5	52.0	77.8	73.4	56.6	-	-	-	-	-	-	-	-	-	19.7
23.0	70.5	61.7	51.1	77.8	68.5	55.5	-	33.7	-	-	-	-	-	-	-	23.0
26.2	64.8	59.3	50.7	76.0	66.1	54.4	-	33.7	33.7	-	-	-	-	-	-	26.2
29.5	60.4	56.4	50.7	65.6	63.7	53.5	-	33.7	33.7	-	-	-	-	-	-	29.5
32.8	56.4	54.2	-	57.3	58.6	52.2	-	33.7	33.7	-	19.4	-	-	-	-	32.8
36.1	53.5	52.6	-	50.7	51.8	50.9	33.7	33.7	33.7	-	19.4	19.4	16.9	16.9	-	36.1
39.4	51.3	51.5	-	45.4	46.0	46.9	32.4	32.4	33.5	-	19.4	19.4	16.9	16.9	16.9	39.4
45.9	-	-	-	36.8	37.6	38.1	31.5	31.0	30.8	19.4	19.4	19.4	16.9	16.9	16.7	45.9
52.5	-	-	-	31.5	31.0	31.5	27.9	28.2	27.9	19.4	19.4	19.4	16.3	16.0	15.8	52.5
59.1	-	-	-	26.6	26.6	25.5	23.5	24.0	24.4	19.4	19.4	19.4	15.2	14.9	14.9	59.1
65.6	-	-	-	22.9	22.7	22.7	21.1	20.7	20.7	18.0	18.2	18.0	14.3	14.1	14.1	65.6
72.2	-	-	-	19.4	19.8	19.8	18.0	18.5	18.7	16.0	16.5	16.7	13.4	13.2	13.2	72.2
78.7	-	-	-	16.7	16.9	-	15.6	15.8	16.0	13.6	14.1	14.3	12.5	12.5	12.3	78.7
85.3	-	-	-	14.3	14.5	-	14.5	14.1	13.8	11.6	12.1	12.3	11.4	11.6	11.6	85.3
91.9	-	-	-	12.7	12.7	-	12.5	12.7	12.7	10.1	10.3	10.5	9.9	10.1	10.3	91.9
98.4	-	-	-	11.2	-	-	10.8	11.0	11.0	8.5	8.8	9.0	8.3	8.8	8.8	98.4
105.0	-	-	-	-	-	-	9.2	9.4	9.4	7.2	7.4	7.4	7.0	7.4	7.4	105.0
111.5	-	-	-	-	-	-	8.1	8.1	-	5.9	6.1	6.3	5.9	6.1	6.3	111.5
118.1	-	-	-	-	-	-	7.0	7.0	-	4.8	5.0	5.0	5.0	5.2	5.2	118.1
124.7	-	-	-	-	-	-	5.9	6.1	-	3.9	3.9	4.1	3.9	4.1	4.4	124.7
131.2	-	-	-	-	-	-	5.0	5.2	-	3.0	3.0	-	3.0	3.3	3.5	131.2
137.8	-	-	-	-	-	-	4.4	4.4	-	2.2	2.4	-	2.4	2.6	-	137.8
144.4	-	-	-	-	-	-	3.7	-	-	1.5	1.7	-	1.7	1.7	-	144.4
150.9	-	-	-	-	-	-	-	-	-	-	1.1	-	1.1	1.1	-	150.9

Operation

MS

40,500 lbs		23.6 ft x 28.0 ft						12.1 ft			360°			ASME B30.5				
		37.4 ft			98.4 ft			147.2 ft			183.9 ft			196.9 ft				
		0°	22°	45°	0°	22°	45°	0°	22°	45°	0°	22°	45°	0°	22°	45°		
ft		1,000 lbs															ft	
9.8	110.8	78.0	56.6	-	-	-	-	-	-	-	-	-	-	-	-	-	-	9.8
11.5	103.3	75.1	55.7	-	-	-	-	-	-	-	-	-	-	-	-	-	-	11.5
13.1	96.7	72.5	54.6	-	82.2	-	-	-	-	-	-	-	-	-	-	-	-	13.1
14.8	90.8	70.3	53.7	-	80.0	58.6	-	-	-	-	-	-	-	-	-	-	-	14.8
16.4	85.7	68.3	53.1	-	78.2	57.9	-	-	-	-	-	-	-	-	-	-	-	16.4
19.7	77.3	64.5	52.0	77.8	73.4	56.6	-	-	-	-	-	-	-	-	-	-	-	19.7
23.0	70.5	61.7	51.1	77.8	68.5	55.5	-	33.7	-	-	-	-	-	-	-	-	-	23.0
26.2	64.8	59.3	50.7	66.1	66.1	54.4	-	33.7	33.7	-	-	-	-	-	-	-	-	26.2
29.5	60.4	56.4	50.7	56.8	58.2	53.5	-	33.7	33.7	-	-	-	-	-	-	-	-	29.5
32.8	56.4	54.2	-	49.8	51.1	51.5	-	33.7	33.7	-	19.4	-	-	-	-	-	-	32.8
36.1	51.5	52.0	-	43.8	44.9	45.8	33.7	33.7	33.7	-	19.4	19.4	16.9	16.9	-	-	-	36.1
39.4	44.3	44.5	-	39.0	39.9	40.7	32.4	32.4	33.5	-	19.4	19.4	16.9	16.9	16.9	-	-	39.4
45.9	-	-	-	33.7	31.9	32.6	28.4	29.1	29.7	19.4	19.4	19.4	16.9	16.9	16.7	-	-	45.9
52.5	-	-	-	27.9	27.9	27.1	24.6	24.2	24.4	19.4	19.4	19.4	16.3	16.0	15.8	-	-	52.5
59.1	-	-	-	22.9	23.3	23.5	20.7	21.1	21.6	18.0	18.7	19.1	15.2	14.9	14.9	-	-	59.1
65.6	-	-	-	18.9	19.4	19.4	18.0	17.8	18.2	15.2	15.6	16.0	14.3	14.1	14.1	-	-	65.6
72.2	-	-	-	15.8	16.0	16.3	16.0	16.0	15.6	12.7	13.2	13.6	12.5	13.0	13.2	-	-	72.2
78.7	-	-	-	13.8	14.1	-	13.6	13.8	14.1	10.8	11.2	11.4	10.5	11.0	11.2	-	-	78.7
85.3	-	-	-	11.9	11.9	-	11.4	11.6	11.9	9.0	9.2	9.4	8.8	9.2	9.4	-	-	85.3
91.9	-	-	-	10.1	10.3	-	9.9	9.9	10.1	7.4	7.7	7.9	7.2	7.7	7.9	-	-	91.9
98.4	-	-	-	9.4	-	-	8.3	8.5	8.5	6.1	6.3	6.6	5.9	6.3	6.6	-	-	98.4
105.0	-	-	-	-	-	-	7.0	7.2	7.2	5.0	5.2	5.5	4.8	5.0	5.2	-	-	105.0
111.5	-	-	-	-	-	-	5.9	6.1	-	3.9	4.1	4.4	3.9	4.1	4.1	-	-	111.5
118.1	-	-	-	-	-	-	5.0	5.2	-	3.0	3.0	3.3	2.8	3.0	3.3	-	-	118.1
124.7	-	-	-	-	-	-	4.1	4.4	-	2.2	2.2	2.4	2.2	2.4	2.4	-	-	124.7
131.2	-	-	-	-	-	-	3.5	3.5	-	1.3	1.5	-	1.3	1.5	1.5	-	-	131.2
137.8	-	-	-	-	-	-	2.8	2.8	-	-	-	-	-	-	-	-	-	137.8
144.4	-	-	-	-	-	-	2.2	-	-	-	-	-	-	-	-	-	-	144.4

10,600 lbs		23.6 ft x 28.0 ft						12.1 ft			360°			ASME B30.5				
		37.4 ft			98.4 ft			147.2 ft			183.9 ft			196.9 ft				
		0°	22°	45°	0°	22°	45°	0°	22°	45°	0°	22°	45°	0°	22°	45°		
ft		1,000 lbs															ft	
9.8	110.8	78.0	56.6	-	-	-	-	-	-	-	-	-	-	-	-	-	-	9.8
11.5	103.3	75.1	55.7	-	-	-	-	-	-	-	-	-	-	-	-	-	-	11.5
13.1	96.7	72.5	54.6	-	82.2	-	-	-	-	-	-	-	-	-	-	-	-	13.1
14.8	90.8	70.3	53.7	-	80.0	58.6	-	-	-	-	-	-	-	-	-	-	-	14.8
16.4	85.7	68.3	53.1	-	78.0	57.9	-	-	-	-	-	-	-	-	-	-	-	16.4
19.7	77.3	64.5	52.0	63.0	65.4	56.6	-	-	-	-	-	-	-	-	-	-	-	19.7
23.0	70.5	61.7	51.1	52.0	53.7	55.5	-	33.7	-	-	-	-	-	-	-	-	-	23.0
26.2	58.2	59.3	50.7	47.3	44.9	46.2	-	33.7	33.7	-	-	-	-	-	-	-	-	26.2
29.5	45.6	46.7	47.1	40.5	38.5	39.2	-	33.7	33.7	-	-	-	-	-	-	-	-	29.5
32.8	37.0	37.6	-	35.0	36.1	33.7	-	29.9	30.2	-	19.4	-	-	-	-	-	-	32.8
36.1	30.6	31.0	-	30.8	31.7	31.9	25.3	26.2	26.8	-	19.4	19.4	16.9	16.9	-	-	-	36.1
39.4	25.7	26.0	-	27.1	27.9	28.4	23.8	24.6	23.8	-	19.4	19.4	16.9	16.9	16.9	-	-	39.4
45.9	-	-	-	20.9	21.3	21.6	18.9	19.4	20.0	14.5	15.2	15.8	14.1	14.7	15.4	-	-	45.9
52.5	-	-	-	17.1	16.7	16.7	15.2	15.6	16.0	11.2	11.9	12.3	10.8	11.4	12.1	-	-	52.5
59.1	-	-	-	13.6	13.8	14.1	12.1	12.5	13.0	8.5	9.0	9.4	8.3	8.8	9.2	-	-	59.1
65.6	-	-	-	11.0	11.2	11.4	9.7	10.1	10.3	6.3	6.8	7.2	6.1	6.8	7.0	-	-	65.6
72.2	-	-	-	8.8	9.0	9.2	7.4	7.9	8.1	4.6	5.0	5.5	4.6	5.0	5.2	-	-	72.2
78.7	-	-	-	7.2	7.2	-	5.9	6.1	6.3	3.3	3.5	3.9	3.0	3.5	3.7	-	-	78.7
85.3	-	-	-	5.7	5.9	-	4.6	4.8	4.8	1.9	2.4	2.6	1.9	2.2	2.4	-	-	85.3
91.9	-	-	-	4.6	4.8	-	3.3	3.5	3.7	-	1.3	1.5	-	1.1	1.3	-	-	91.9
98.4	-	-	-	3.7	-	-	2.4	2.6	2.6	-	-	-	-	-	-	-	-	98.4
105.0	-	-	-	-	-	-	1.5	1.7	1.7	-	-	-	-	-	-	-	-	105.0
111.5	-	-	-	-	-	-	-	1.1	-	-	-	-	-	-	-	-	-	111.5

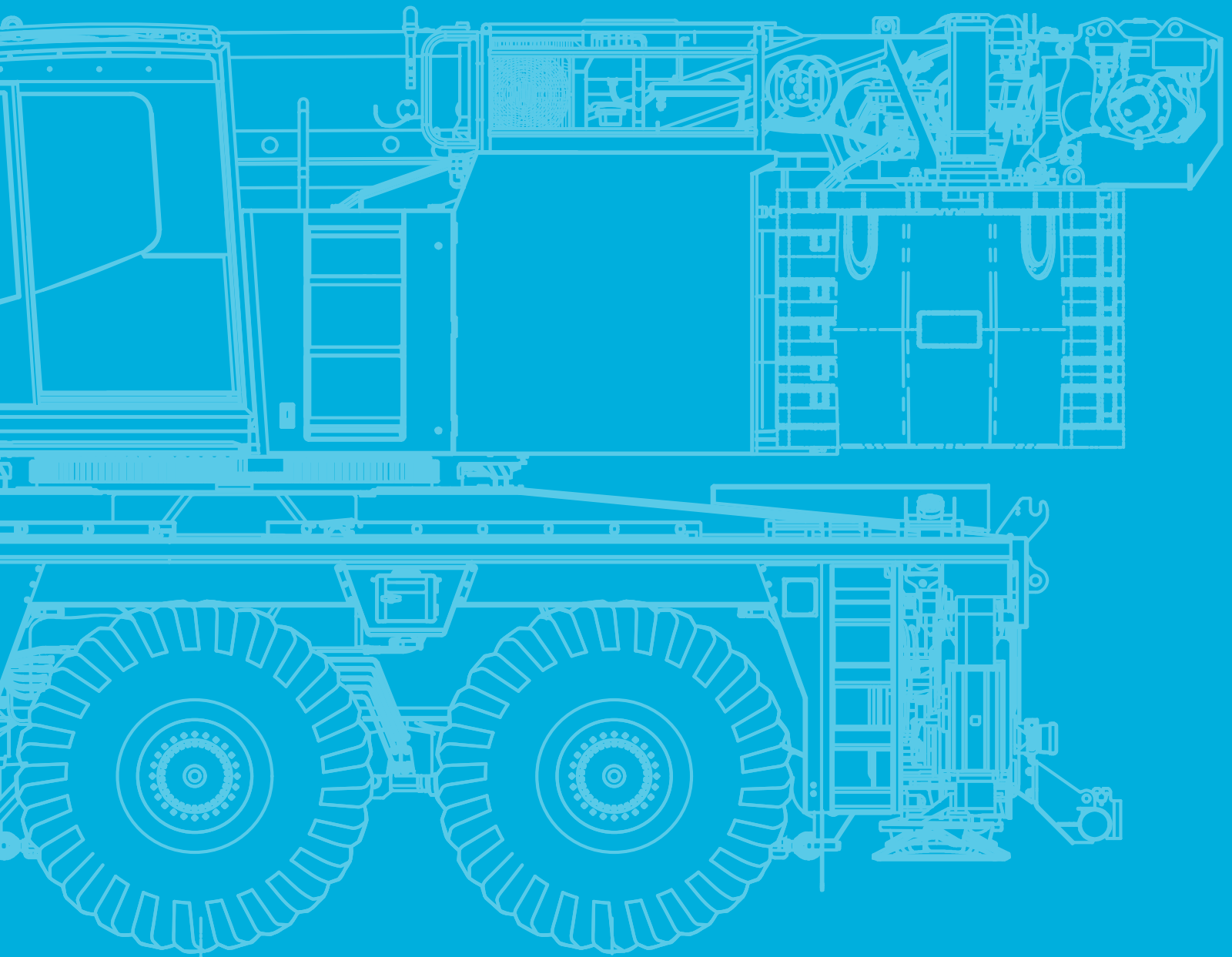
Notes to Lifting Capacity

Ratings are in compliance with ASME B30.5.
Lifting capacities do not exceed 85 % of tipping load.

Weight of hook blocks and slings is part of the load, and is to be deducted from the capacity ratings.
Consult operation manual for further details.

Note: Data published herein is intended as a guide only and shall not be construed to warrant applicability for lifting purposes.
Crane operation is subject to the computer charts and operation manual both supplied with the crane.

TECHNICAL DESCRIPTION



Technical Description

Basic machine

Equipment carrier

Engine 340-5	Mercedes-Benz OM471LA; Diesel engine; Output 340 kW / 1600 1/min (462 HP), torque 2200 Nm / 1300 1/min; The engine complies with EU Stage V/Tier 4F; Exhaust system complete stainless steel with SCR catalyzer.
Fuel tank	106 gallons Diesel (no RME / biodiesel); 11 gallons Ad-Blue tank.
Transmission ZF TraXon	Automated gearbox with 12 forward speeds and 2 reverse; 2-stage transfer case with switchable longitudinal lock.
Axles 8 x 6 x 8	All 4 axles steered, axles 2-4 driven and equipped with selectable transverse lock.
Suspension	Hydropneumatic suspension with axle load compensation; Hydraulically lockable; Manual or automatic levelling alternatively.
Steering	Dual circuit hydro servocom steering with emergency steering pump; Active rear axle steering.
Brakes	Pneumatic dual circuit service brake with antilock system, acting on all wheels; Disc brakes; Additional, double-speed decompression brake; Spring-loaded parking brake.
Tires	Tires size 385/95 R25 (14.00R25); Steel rim 9,5-25/1,7"
Cab 2490	Type 8.2 ft; Adjustable driver seat, armrests and pneumatic suspension; Height and tilt-adjustable steering wheel; Auxiliary/passenger seat; Powered door windows; Tinted glass; Radio; Seat heating; Heating engine-dependent; Aircondition.
Rear view camera	Display in carrier cab; Cameras installed on rear of vehicle.
Drive lights	Including low beam, upper beam, daytime running lights, fog lights and cornering lights.
Central lubrication	Automatic central lubrication system for the lubricating points at the carrier.
Outriggers	H-4-Point design; Vertical and horizontal movement fully hydraulic; Manual or automatic levelling alternatively; 5 outrigger bases: 8.5 ft, 11.8 ft, 16.4 ft, 19.7 ft and 23.6 ft. 4 square outrigger pads with transport position at vertical cylinder.
Outrigger basis monitoring	Individual monitoring of horizontal stroke; Deviation warning in crane cab.
Outrigger load indicator	The outrigger load is indicated in the operator cab and the outrigger control box.
Electronic immobiliser system	Prevents uncontrolled carrier mobilisation; Incl. 4 ignition keys.
Pneumatic tire filling plug	For self-filling of the wheels.

Equipment superstructure

Engine 129-5	Mercedes-Benz OM934LA; Diesel engine; Output 129 kW / 2200 1/min (175 HP), torque 750 Nm / 1200-1600 1/min; The engine complies with EU Stage V/Tier 4F; Exhaust system complete stainless steel with SCR catalyzer.
Telescopic boom HA60	37.4 ft -196.9 ft; Single cylinder telescoping system, automatic telescoping; Attachments for all equipment and extensions; 6 sheaves integrated in boom head for max. capacity of 209,000 lbs.
Boom luffing	1 luffing cylinder with automatic lowering brake valve.
Rotary drive	Single slewing gear unit with spring-loaded multi-disc brake.
H1	Hoist with spring-loaded multi-disc brake; Resolver (hoist rotation indicator).
Counterweight 6,900 lbs	2 pieces (⊕ + ⊗).
Control system	Enabling 4 simultaneous working movements; Electric pilot controls via 2 two-axis joysticks; Different control modes selectable for hydraulic circuits.
Operator aids	AML-F, with integrated electronic load moment indicator in accordance with EN13000; Color display; Displaying of current operating conditions, load charts, fault indicator; Signal lights indicating LMI-load; Crane data logger.
SmartChart	Smart crane control system for main boom and rooster sheave operation enabling higher lifting capacities especially over outriggers. Enables safe use of the full capacity of the crane even in asymmetric outrigger configurations. Visualization of full working area in operator cabin. In-cab lift simulation.
Hello-Net	Tadano telematic system.
Working range limiter	Displaying and programmability of the work range limits by AML-F.
Lift adjuster	Safety device which prevents the load from swinging out when the load is picked up and the released hook block from swinging when the load is set down; Activated by switch in operator cabin.
Cab 872	Type 2.86 ft; 12° tiltable seat incl. control panel; Fold-out front window; Extendable side pedestal, front pedestal; Handrails; Tinted safety glass; Pull-down sun visor; Radio; Seat heating; Heating engine-dependent and engine-independent; Aircondition.
Central lubrication	Automatic central lubrication system for the lubricating points at the superstructure.

Technical Description

Additional equipment

Carrier

Axles 8 x 8 x 8	All 4 axles steered, all axles driven and equipped with selectable transverse lock.
Wear-free auxiliary brake	Wear-free auxiliary eddy-current brake.
Tires	8 tires; Tire size 445/95R25 (16.00R25) or 525/80 (20.5R25).

Superstructure

2. hoist (H2)	Spring-loaded multi-disc brake; Integrated resolver (hoist rotation indicator); Quick couplings; Incl. hoist monitoring.
Additional counterweight 60,200 lbs	9 pieces; for total 67,000 lbs, 11 pieces.
Load supervision camera	Camera mounted on main boom head to supervise the hook block and load from above; Incl. boom head light on boom head.

Handling

Remote control	Control of superstructure movements via wireless remote control.
-----------------------	--

Extensions

HAV 58.7 ft	Double folding swing-away jib, manual offset 22°/45°; 1-sheave head; Incl. transport storage.
HAV-VA 104.7 ft	Variable extension; 2 x 23.0 ft lattice boom extension and double folding swing-away jib, manual offset 22°/45°; 1-sheaved head; Incl. transport storage for double folding swing-away jib; Includes HAV 58.7 ft and HAV-VA 81.7 ft.
HAV-HY	Hydraulic, stepless offset 0°-40°, instead of the manual offset; Available for HAV and HAV-VA.
HTLJ 62.3 ft	Hydraulically telescopable and offsetable main boom extension; Length 29.5 ft - 62.3 ft; Hydraulic offset 5°-60°.
MS (runner)	12.1 ft; Variable assembly jib with manual offset; 3-sheaves, for max. 110,800 lbs lifting capacity.

Hook Blocks

Hook block 352,800 lbs, 7-sheaves	Max. capacity 220,500 lbs; 2,870 lbs; Double hook, red with white signal stripes.
Hook block 220,500 lbs, 5-sheaves	Max. capacity 202,200 lbs; 1,760 lbs; Double hook, red with white signal stripes.
Hook block 138,900 lbs, 3-sheaves	Max. capacity 130,100 lbs; 1,320 lbs; Double hook, red with white signal stripes.
Hook block 70,600 lbs, 1-sheave	Max. capacity 56,400 lbs; 990 lbs; Single hook, red with white signal stripes.
Hook 22,050 lbs	Max. capacity 19,100 lbs; 660 lbs; Single hook, red.

Further additional equipment on request!

Weight data may deviate from posted values based on road / travel configuration, equipment configuration, and component weight tolerances.

tac.sales@tadano.com
www.tadanoamericas.com

Tadano Europe Holdings GmbH

Dinglerstraße 24, 66482 Zweibrücken, Germany
Phone +49 6332 830

Tadano America Corporation

4242 West Greens Road, Houston, TX 77066
Phone: +1 (281) 869-00300 · Fax: +1 (281) 869-0040



Lifting your dreams

